

**Part Number: PT924-08100 &
PT924-08101**

NOTE: Part number of this accessory may not be the same as the part number shown.

Kit Contents

Item #	Quantity Req'd.	Description
1	1	Large Cargo Bin (w/lid)
2	1	Small Cargo Bin (w/lid)







Vehicle Service Parts (may be required for reassembly)

Item #	Quantity Req'd.	Description
1	N/A	

Hardware Bag Contents

Item #	Quantity Req'd.	Description
1	N/A	

Legend

	STOP: Damage to the vehicle may occur. Do not proceed until process has been complied with.
	OPERATOR SAFETY: Use caution to avoid risk of injury.
	CAUTION: A process that must be carefully observed in order to reduce the risk of damage to the accessory/vehicle and to ensure a quality installation.
	TOOLS & EQUIPMENT: Used in Figures calls out the specific tools and equipment recommended for this process.
	REVISION MARK: This mark highlights a change in installation with respect to previous issue.
	SAFETY TORQUE: This mark indicates that torque is related to safety.

Additional Items Required For Installation

Item #	Quantity Req'd.	Description
1	N/A	

Conflicts

see "General Applicability" below

Recommended Tools

Personal & Vehicle Protection	Notes
None	
Special Tools	Notes
None	
Installation Tools	Notes
None	
Special Chemicals	Notes
None	

General Applicability

PT924-08100 - All vehicles with manual 3rd row seats
PT924-08101 - All vehicles with power 3rd row seats

Recommended Sequence of Application

Item #	Accessory
1	Cargo Bin

*Mandatory

Care must be taken when installing this accessory to ensure damage does not occur to the vehicle. The installation of this accessory should follow approved guidelines to ensure a quality installation.

These guidelines can be found in the "Accessory Installation Practices" document.

This document covers such items as:-

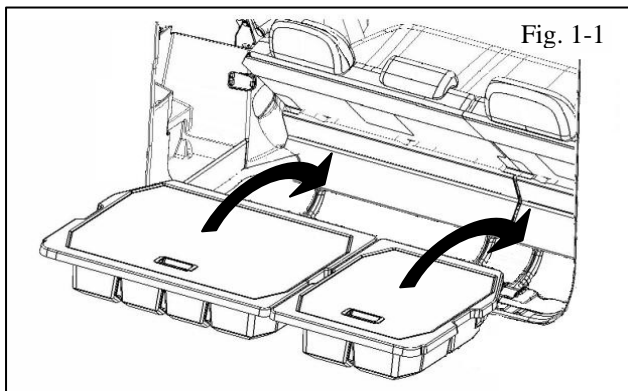
- Vehicle Protection (use of covers and blankets, cleaning chemicals, etc.).
- Safety (eye protection, rechecking torque procedure, etc.).
- Vehicle Disassembly/Reassembly (panel removal, part storage, etc.).
- Electrical Component Disassembly/Reassembly (battery disconnection, connector removal, etc.).

Please see your Toyota dealer for a copy of this document.

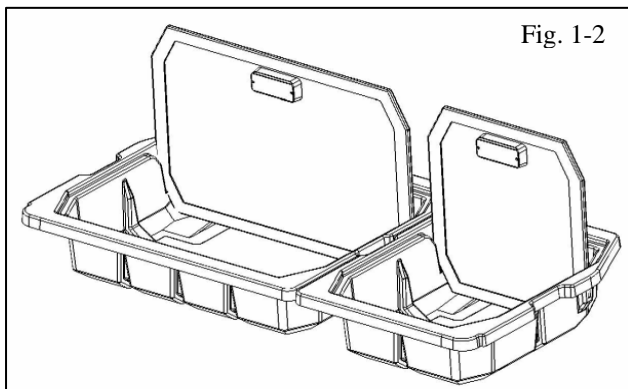


1. Installation of Cargo Bins

- (a) Open vehicle rear cargo door and ensure the rear seats are locked in the full upright position.



- (b) Place the bins in the well behind the rear seats with the large bin on the driver's side and the small bin on the passenger side. (Fig 1-1)



- (c) The lids on the bins can be stored upright by lifting them up and sliding them into the forward slots on either side of each bin. (Fig 1-2)

TOYOTA SIENNA 2011 - CARGO ORGANIZER

Checklist - these points **MUST** be checked to ensure a quality installation.

<u>Check:</u>	<u>Look For:</u>
<u>Accessory Function Checks</u> <input type="checkbox"/> Proper placement and orientation of bins	Insure the bins are properly installed per step 1(b).
<u>Vehicle Function Checks</u> <input type="checkbox"/> Cargo door operation	Door should open and close freely without interference from the cargo bins.