

**Part Number: PT922-12081**

**Kit Contents**

Item #	Quantity Reqd.	Description
1	1	Exhaust tip and clamp
2	1	Installation Instructions

**Hardware Bag Contents**

Item #	Quantity Reqd.	Description
None		

**Additional Items Required For Installation**

Item #	Quantity Reqd.	Description
None		

**Conflicts**

--

**Recommended Tools**

<b>Personal &amp; Vehicle Protection</b>	<b>Notes</b>
Steel Toe Shoes	
<b>Special Tools</b>	<b>Notes</b>
<b>Installation Tools</b>	<b>Notes</b>
Ratchet	
Socket	10mm
Non-scratch cloth	
<b>Special Chemicals</b>	<b>Notes</b>
Glass Cleaner	

**General Applicability**

Base models only.
-------------------

**Recommended Sequence of Application**

Item #	Accessory
1	
2	
3	






\*Mandatory

**NOTE:** Part number of this accessory may not be the same as the part number shown.

**Vehicle Service Parts** (may be required for reassembly)

Item #	Quantity Reqd.	Description
None		

**Legend**

	<b>STOP:</b> Damage to the vehicle may occur. Do not proceed until process has been complied with.
	<b>OPERATOR SAFETY:</b> Use caution to avoid risk of injury.
	<b>CAUTION:</b> A process that must be carefully observed in order to reduce the risk of damage to the accessory/vehicle and to ensure a quality installation.
	<b>TOOLS &amp; EQUIPMENT:</b> Used in Figures calls out the specific tools and equipment recommended for this process.
	<b>REVISION MARK:</b> This mark highlights a change in installation with respect to previous issue.

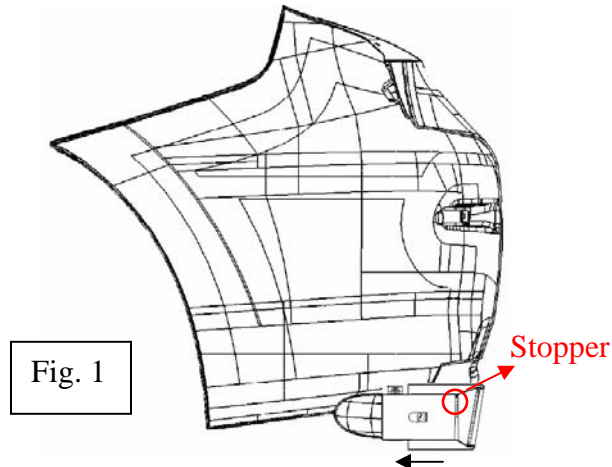
Care must be taken when installing this accessory to ensure damage does not occur to the vehicle. The installation of this accessory should follow approved guidelines to ensure a quality installation.

These guidelines can be found in the "Accessory Installation Practices" document.

This document covers such items as:-

- Vehicle Protection (use of covers and blankets, cleaning chemicals, etc.).
- Safety (eye protection, rechecking torque procedure, etc.).
- Vehicle Disassembly/Reassembly (panel removal, part storage, etc.).
- Electrical Component Disassembly/Reassembly (battery disconnection, connector removal, etc.).

Please see your Toyota dealer for a copy of this document.

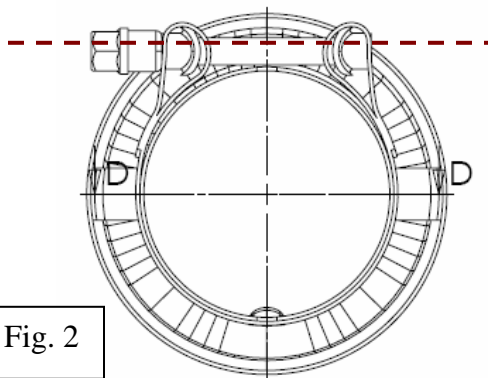


### 1. EXHAUST TIP INSTALLATION

(a) Insert exhaust tip on muffler pipe until insertion is prevented by stopper. (Fig. 1)

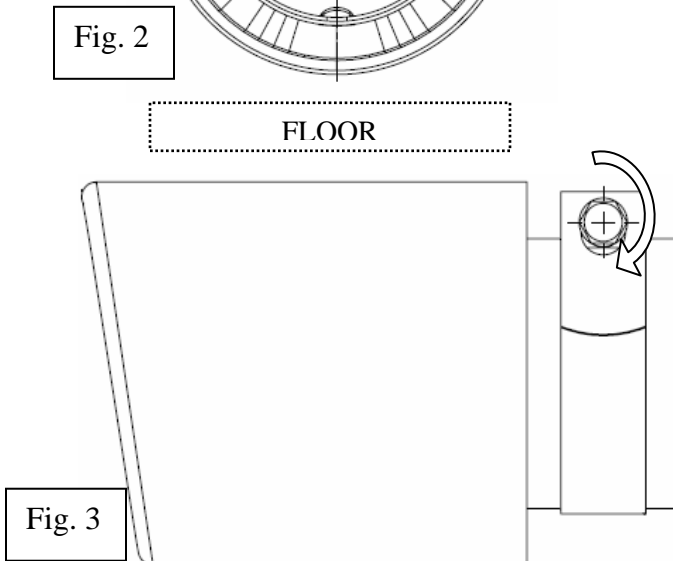


(b) Align the exhaust tip properly. Band clamp screw at the back must be parallel to the floor. (Fig. 2)



(c) Using a wrench or a power wrench tighten screw at 12 ft-lbf. (Fig. 3)

(d) Clean exhaust with glass cleaner or approved cleaner and non-scratching cloth.



Checklist - these points **MUST** be checked to ensure a quality installation.

Check:

Look For:

Accessory Function Checks

- Correct part number has been installed.
- Clamp alignment

Verify part number on package.  
Band clamp bolt should be parallel to floor.

Vehicle Function Checks

-   Rattle or vibration

Start engine and check for rattle of vibration of the exhaust tip.