

Part Number: PT767-35160

Kit Contents

Item #	Quantity Reqd.	Description
1	2	Running Boards
2	2	Front Brackets
3	4	Mid/Rear Brackets
4	1	Hardware Bag

Hardware Bag Contents

Item #	Quantity Reqd.	Description
1	12	M6 1.25x19mm Hex Sems Bolt
2	12	M8x1.25x20mm Hex Bolt
3		

Additional Items Required For Installation

Item #	Quantity Reqd.	Description
1		
2		
3		

Conflicts

--

Recommended Tools

Personal & Vehicle Protection	Notes
Safety Glasses	
Special Tools	Notes
Installation Tools	Notes
Ratchet	6" extension
10mm Socket	
13mm Socket	
Torque Wrench	0-50 N-m, 0-35 ft-lbf
Panel Clip Removal Tool	Panel Pry Tool # 1 Toyota SST 00002-06001-01
Special Chemicals	Notes

General Applicability

--

Recommended Sequence of Application


Item #	Accessory
1	
2	
3	


*Mandatory


Vehicle Service Parts (may be required for reassembly)


Item #	Quantity Reqd.	Description
1		
2		
3		


Legend


 **STOP:** Damage to the vehicle may occur. Do not proceed until process has been complied with.

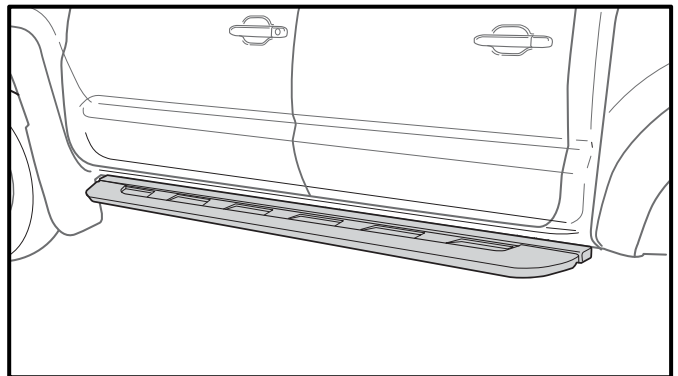
 **OPERATOR SAFETY:** Use caution to avoid risk of injury.

 **CAUTION:** A process that must be carefully observed in order to reduce the risk of damage to the accessory/vehicle and to ensure a quality installation.

 **TOOLS & EQUIPMENT:** Used in Figures calls out the specific tools and equipment recommended for this process.

 **REVISION MARK:** This mark highlights a change in installation with respect to previous issue.

 **SAFETY TORQUE:** This mark indicates that torque is related to safety.



Procedure

Care must be taken when installing this accessory to ensure damage does not occur to the vehicle. The installation of this accessory should follow approved guidelines to ensure a quality installation.

These guidelines can be found in the "Accessory Installation Practices" document.

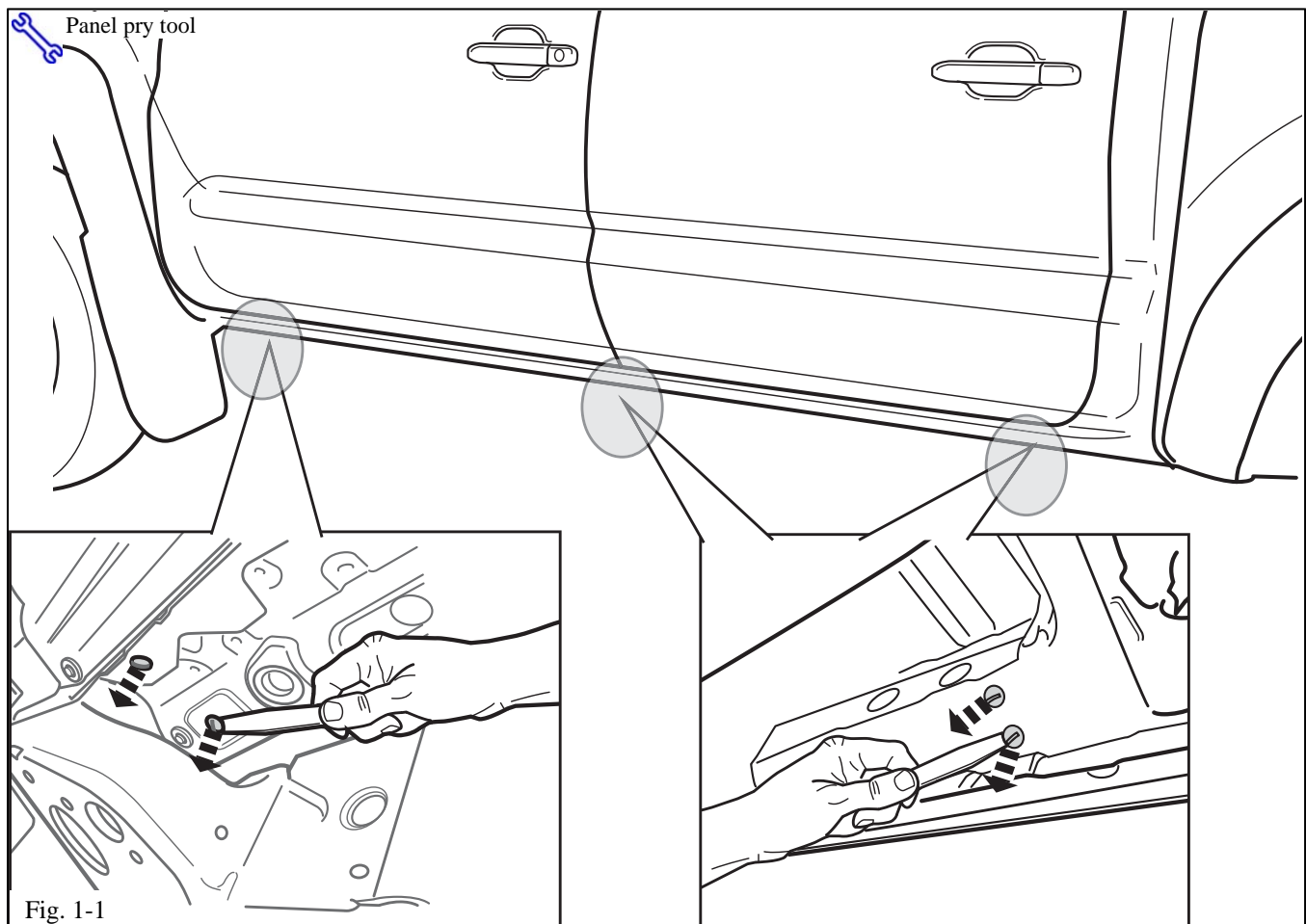
This document covers such items as:-

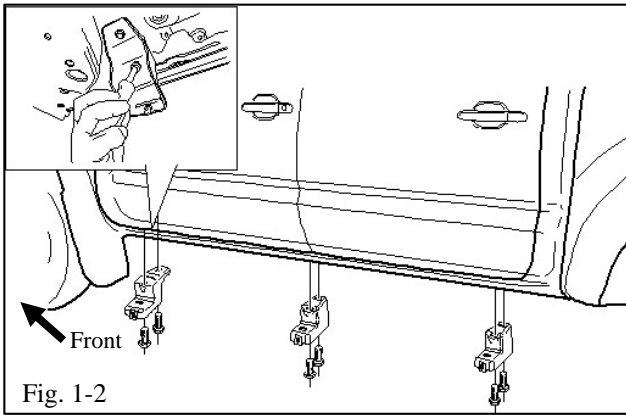
- Vehicle Protection (use of covers and blankets, cleaning chemicals, etc.).
- Safety (eye protection, rechecking torque procedure, etc.).
- Vehicle Disassembly/Reassembly (panel removal, part storage, etc.).
- Electrical Component Disassembly/Reassembly (battery disconnection, connector removal, etc.).

Please see your Toyota dealer for a copy of this document.

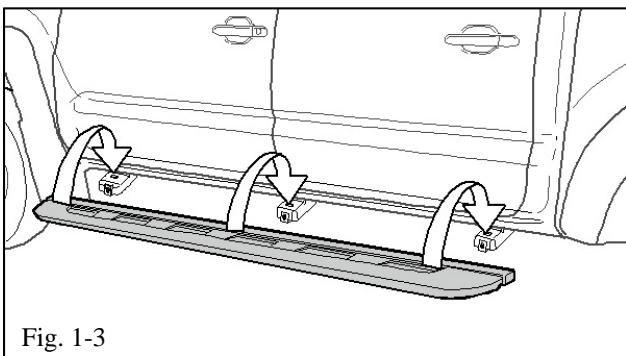
1. Install the Left Side Running Board.

- (a) Remove and discard the 6 plastic screws located in the running board mounting holes under the vehicle (Fig. 1-1).



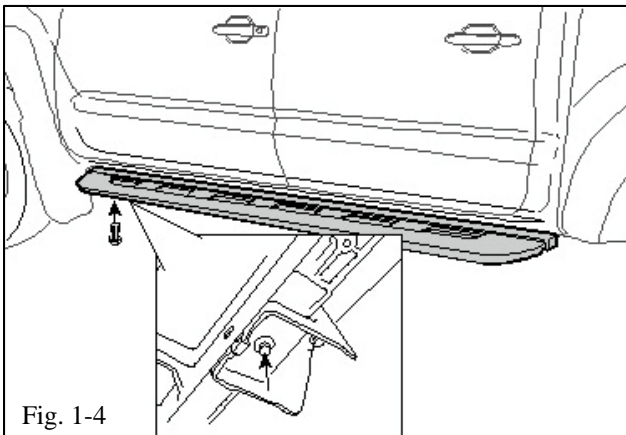


⚠ (b) By hand, place M8 Hex bolts through the holes in the brackets into the threaded holes on the vehicle (Fig. 1-2).

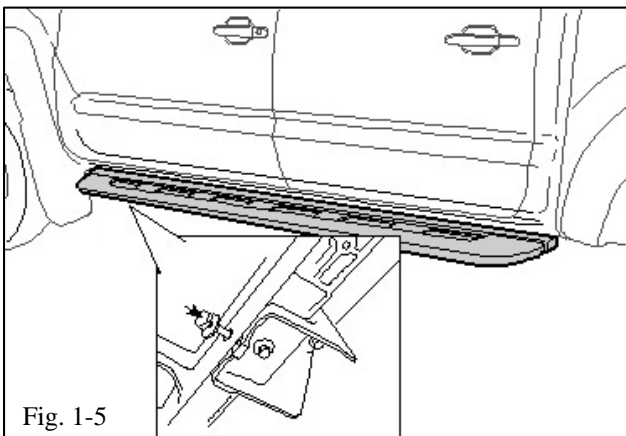


(c) Place the running board onto the brackets, aligning the front mounting location first (Fig. 1-3).

⚠ NOTE: The first mounting hole from the front of the running board is used for the front bracket.



⚠ (d) By hand, place M6 bolts UP through the brackets into the threaded holes in the running board (Fig. 1-4). Start with the front position.



(e) By hand, place M6 bolts through the running board into the clips on the brackets (Fig. 1-5).


(f) Torque all the UP M6 bolts to 10 N-m first.

⚠ Torque: 10 N-m (7 ft-lbf)


(g) Torque the horizontal M6 bolts to 10 N-m next.

⚠ Torque: 10 N-m (7 ft-lbf)

(h) Torque the outer M8 bolts to 22.5 N-m first.

 **Torque: 22.5 N-m (17 ft-lbf)**


(i) Torque the inner M8 bolts to 22.5 N-m next.

 **Torque: 22.5 N-m (17 ft-lbf)**


2. Install the Right Side Running Board.

(a) Repeat Step 1 on the right side.


(b) Torque all the UP M6 bolts to 10 N-m first.

 **Torque: 10 N-m (7 ft-lbf)**


(c) Torque the horizontal M6 bolts to 10 N-m next.

 **Torque: 10 N-m (7 ft-lbf)**

(d) Torque the outer M8 bolts to 22.5 N-m first.

 **Torque: 22.5 N-m (17 ft-lbf)**


(e) Torque the inner M8 bolts to 22.5 N-m next.

 **Torque: 22.5 N-m (17 ft-lbf)**


3. Complete the Install.


(a) Re-torque all of the bolts.

(b) Torque all M6 bolts to 10 N-m.

 **Torque: 10 N-m (7 ft-lbf)**

(c) Torque all M8 hardware to 22.5 N-m.

 **Torque: 22.5 N-m (17 ft-lbf)**

 (d) **PPO Only:** Complete the torque audit sheet within five minutes of the installation.

TOYOTA TACOMA 2016 - RUNNING BOARDS

Checklist - these points **MUST** be checked to ensure a quality installation.

<u>Check:</u>	<u>Look For:</u>
<p><u>Accessory Function Checks</u></p> <ul style="list-style-type: none"><input type="checkbox"/> Running board alignment<input type="checkbox"/> Inspect bolt torques<input type="checkbox"/><input type="checkbox"/>	<p>Ensure the running board is centered on the vehicle</p> <p>Complete the torque audit sheet within five minutes of the installation</p>
<p><u>Vehicle Function Checks</u></p> <ul style="list-style-type: none"><input type="checkbox"/><input type="checkbox"/><input type="checkbox"/>	
<p><u>Vehicle Appearance Check</u></p> <ul style="list-style-type: none"><input type="checkbox"/> After accessory installation and removal of protective cover(s), perform a visual inspection.	<p>Ensure no damage (including scuffs and scratches) was caused during the installation process.</p> <p>(For PPO installations, refer to TMS Accessory Quality Shipping Standard.)</p>