

Part Number:
 PT767-35110 (B-CAB REGULAR BED)
 PT767-35111 (C-CAB REGULAR BED)
 PT767-35112 (D-CAB SHORT BED)
 PT767-35113 (D-CAB LONG BED)

PT767-35120 (C-CAB REGULAR BED) CHROME
PT767-35121 (D-CAB SHORT BED) CHROME
PT767-35122 (D-CAB LONG BED) CHROME

Kit Contents

Item #	Quantity Req'd.	Description
1	1	Right Side Step
2	1	Left Side Step
3	1	Hardware Bag

Hardware Bag Contents

Item #	Quantity Req'd.	Description
1	12 (C & D Cab)	8mm x 30mm x 1.25mm Bolts
2	12 (C & D Cab)	Lock Washers
3	6 (C & D Cab)	Round Flat Washers
4	6 (C & D Cab)	Flat End Washers
5	8 (B Cab)	8mm x 30mm x 1.25mm Bolts
6	8 (B Cab)	Lock Washers
7	4 (B Cab)	Round Flat Washers
8	4 (B Cab)	Flat End Washers
9	1	Installation Instructions

Additional Items Required For Installation

Item #	Quantity Req'd.	Description
1		

Conflicts

Genuine Running Boards:
 C-CAB PN: PT212-35052
 D-CAB PN: PT212-35054

Recommended Tools

Personal & Vehicle Protection	Notes
Eye Protection	
Special Tools	Notes
None	
Installation Tools	Notes
Socket/Ratchet	13mm
Torque Wrench	19.5 N.m (14.5 ft-lbf)
Tape Measure	
Screwdriver	Flat Head
Special Chemicals	Notes

General Applicability

2005 and newer Tacoma

Recommended Sequence of Application

Item #	Accessory

*Mandatory

Vehicle Service Parts (may be required for reassembly)

Item #	Quantity Req'd.	Description
1		

Legend

STOP: Damage to the vehicle may occur. Do not proceed until process has been complied with.

OPERATOR SAFETY: Use caution to avoid risk of injury.

CAUTION: A process that must be carefully observed in order to reduce the risk of damage to the accessory/vehicle and to ensure a quality installation.

TOOLS & EQUIPMENT: Used in Figures calls out the specific tools and equipment recommended for this process.

REVISION MARK: This mark highlights a change in installation with respect to previous issue.

SAFETY TORQUE: This mark indicates that torque is related to safety.



Care must be taken when installing this accessory to ensure damage does not occur to the vehicle. The installation of this accessory should follow approved guidelines to ensure a quality installation.

These guidelines can be found in the "Accessory Installation Practices" document.

This document covers such items as:-

- Vehicle Protection (use of covers and blankets, cleaning chemicals, etc.).
- Safety (eye protection, rechecking torque procedure, etc.).
- Vehicle Disassembly/Reassembly (panel removal, part storage, etc.).
- Electrical Component Disassembly/Reassembly (battery disconnection, connector removal, etc.).

Please see your Toyota dealer for a copy of this document.

1. Install the Driver Side Step.

- (a) Remove the six (6) (for C & D-cab) or the four (4) (for B Cab) plastic screws located in the side step mounting holes under the vehicle and discard (Fig. 1-1 & Fig. 1-2).

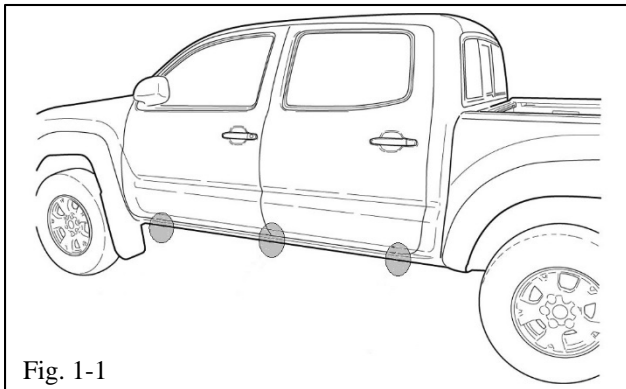


Fig. 1-1

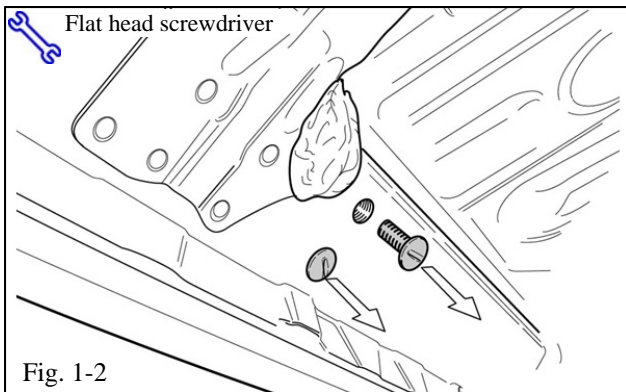


Fig. 1-2

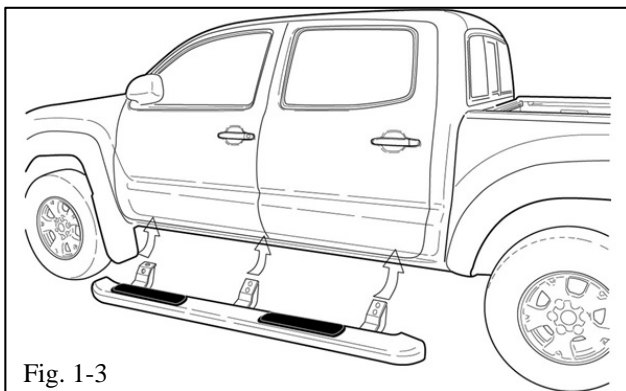


Fig. 1-3

- (b) Place the side step under the vehicle and line up the mounting holes on the brackets with the mounting holes on the vehicle (Fig. 1-3).

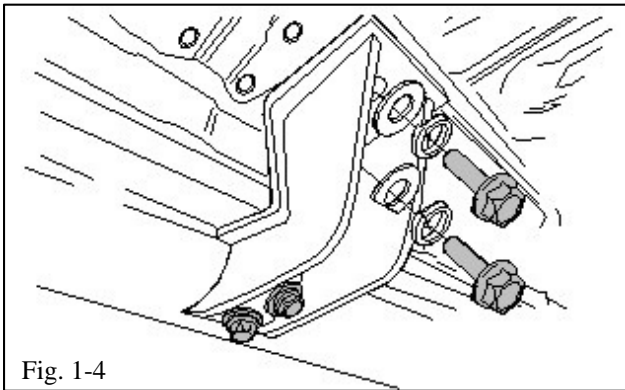


Fig. 1-4

(c) By hand, place three (3) flange bolts with one (1) lock washer and one (1) round flat washer per bolt into the mounting holes that are towards the inside of the vehicle and hand tighten (Fig. 1-4).

(d) By hand, place three (3) flange bolts with one (1) lock washers and one (1) flat end washer per bolt into the mounting holes that are towards the outside of the vehicle and hand tighten.

⚠ NOTE: Ensure that the flat end of the washer is parallel to the bend line of the bracket (Fig. 1-4).

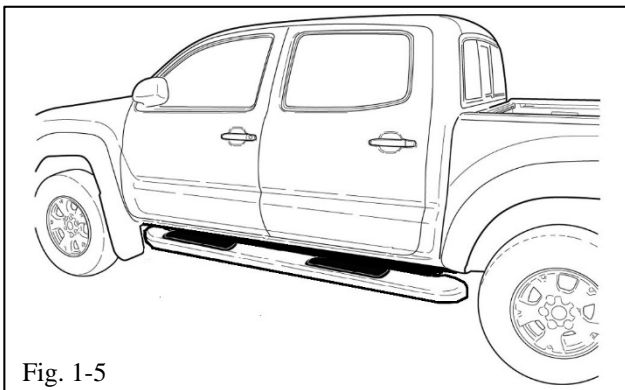


Fig. 1-5

⚠ (e) Align the tube so that it is rearward on the vehicle (Fig. 1-5). The bolts that are pre-installed that hold the brackets to the tube are only hand tight to allow for easy loosening if required to aide alignment. Ensure that each bracket is evenly moved rearward.

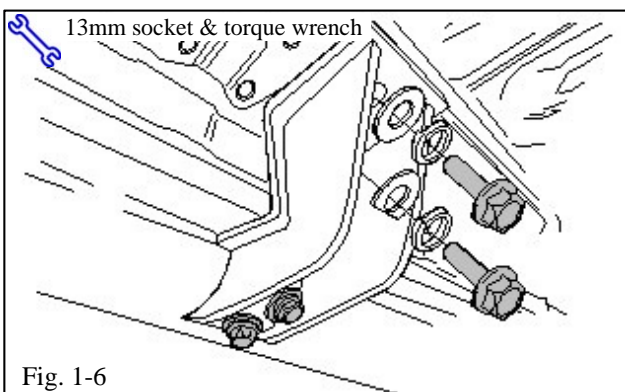


Fig. 1-6

⚠ (f) Tighten and torque all six (6) or four (4) flange bolts on the vehicle to 19.5 Nm (14.5 ft-lbf) (Fig. 1-6).

⚠ Torque: 19.5 Nm (14.5 ft-lbf)

(g) Tighten and torque all six (6) or four (4) flange bolts on the tube to 19.5 Nm (14.5 ft-lbf) (Fig. 1-6).

⚠ Torque: 19.5 Nm (14.5 ft-lbf)

2. Install the Passenger Side Step.

(a) Repeat the same process as driver side.

Checklist - these points **MUST** be checked to ensure a quality installation.

Check:

Look For:

Accessory Function Checks

- Tube alignment

Tubes should be aligned so that they are centered on the vehicle

Vehicle Appearance Check

- After accessory installation and removal of protective cover(s), perform a visual inspection.

Ensure no damage (including scuffs and scratches) was caused during the installation process.
(For PPO installations, refer to TMS Accessory Quality Shipping Standard.)