

Part Number: PT767-34070

Kit Contents

Item #	Quantity Reqd.	Description
1	1	Divider Screen
2	1	LH Bracket with Warning Label
3	1	RH Bracket without Warning Label

Hardware Bag Contents

Item #	Quantity Reqd.	Description
1	4	Knob
2	2	Clamp Plate
3	2	M8 Sq Head Bolt

Additional Items Required For Installation

Item #	Quantity Reqd.	Description
1		
2		
3		

Conflicts

--

Recommended Tools

Personal & Vehicle Protection	Notes
None	
Special Tools	Notes
None	
Installation Tools	Notes
None	
Special Chemicals	Notes
None	

General Applicability

All Models, but bed rails required

Recommended Sequence of Application

Item #	Accessory
1	Bed Rails
2	Bed Liner
3	Cargo Divider






*Mandatory

NOTE: Part number of this accessory may not be the same as the part number shown.

Vehicle Service Parts (may be required for reassembly)

Item #	Quantity Reqd.	Description
1		
2		
3		

Legend

	STOP: Damage to the vehicle may occur. Do not proceed until process has been complied with.
	OPERATOR SAFETY: Use caution to avoid risk of injury.
	CAUTION: A process that must be carefully observed in order to reduce the risk of damage to the accessory/vehicle and to ensure a quality installation.
	TOOLS & EQUIPMENT: Used in Figures calls out the specific tools and equipment recommended for this process.
	REVISION MARK: This mark highlights a change in installation with respect to previous issue.

Procedure

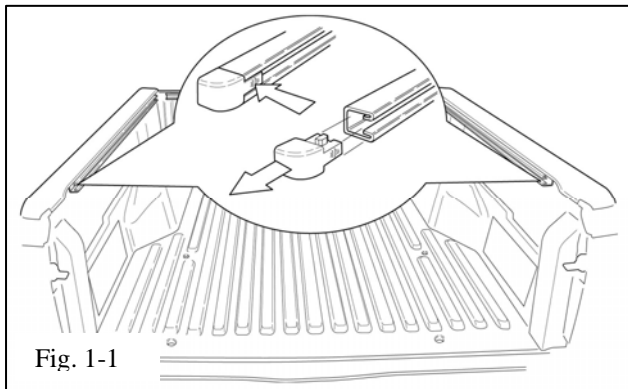
Care must be taken when installing this accessory to ensure damage does not occur to the vehicle. The installation of this accessory should follow approved guidelines to ensure a quality installation.

These guidelines can be found in the "Accessory Installation Practices" document.

This document covers such items as:-

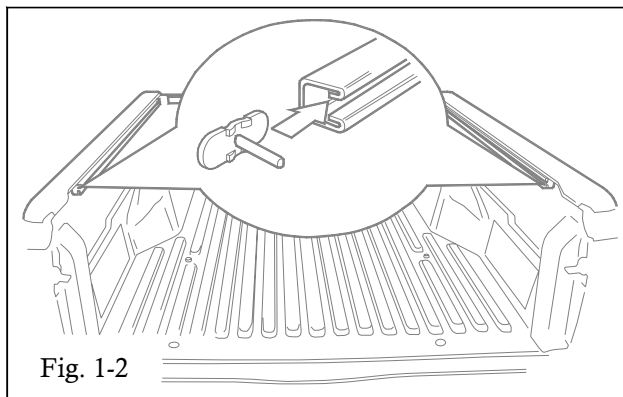
- Vehicle Protection (use of covers and blankets, cleaning chemicals, etc.).
- Safety (eye protection, rechecking torque procedure, etc.).
- Vehicle Disassembly/Reassembly (panel removal, part storage, etc.).
- Electrical Component Disassembly/Reassembly (battery disconnection, connector removal, etc.).

Please see your Toyota dealer for a copy of this document.

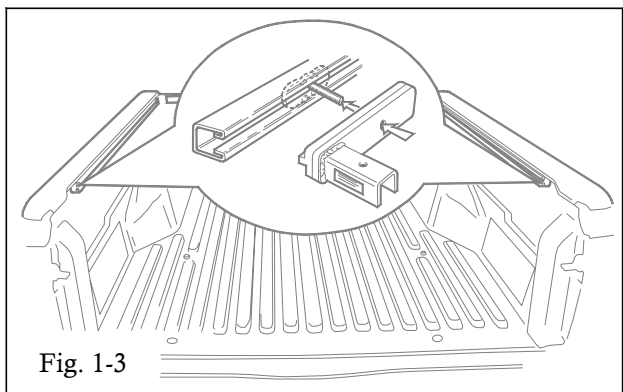


1. Bracket Installation

- (a) Remove end caps from the back of each vehicle bed side rail. (Fig. 1-1)



- (b) Slide one clamp plate into each side rail. (Fig. 1-2)



- (c) Install the LH Bracket (with the WARNING label) onto the LH clamp plate threaded stud. (Fig. 1-3)

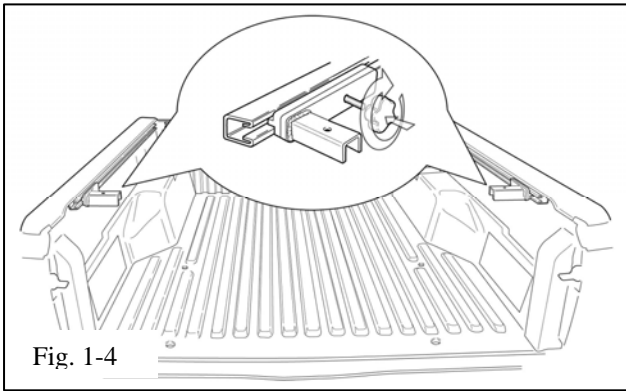


Fig. 1-4

(d) Screw a knob onto the clamp plate threaded stud. The vehicle bed side rails have internal stop detents every four inches. With the knob loose, slide the bracket assembly fore or aft to the desired location. As you tighten knob, continue to slide the bracket fore and aft until you feel the clamp plate lock into one of the rail stop detents. Tighten the knob and repeat on the other side. (Fig. 1-4)

(e) Repeat steps (1c) & (1d) for the RH bracket.

2. Divider Screen Installation

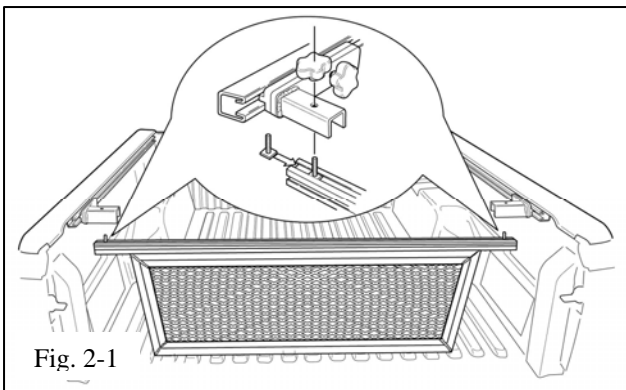


Fig. 2-1

(a) With the divider screen standing vertical in the rear of the bed behind the brackets, insert an M8 square head bolt into each end of the slot on the cross screen extrusion. Slide each bolt in approximately 6" from the extrusion end (Fig. 2-1).

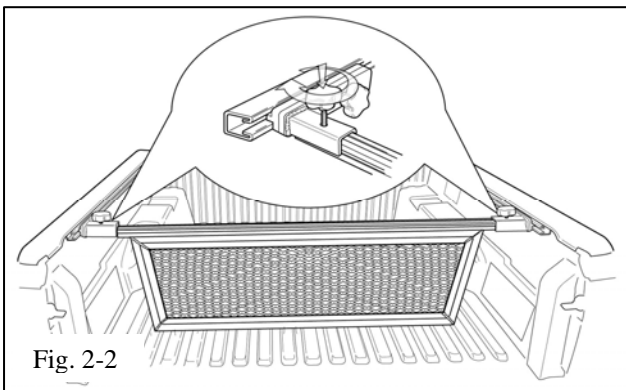


Fig. 2-2

(b) By tilting the top of the divider screen slightly forward, locate screen up into the brackets. As you lift each end of the screen up into position, slide the M8 bolts over until they align with the hole in the bracket. Screw a knob onto each M8 bolt. Completely tighten the knobs. (Fig. 2-2)

(c) Reinstall the two end caps removed in step (1a).

3. Moving the divider

(a) Loosen the knobs tightened in step 2 ("b") until the screen is free from the brackets, and set the screen aside. (Fig 2-2)

- (b) Loosen the knobs tightened in step 1 (“d” and “e”) for both RH and LH brackets.
(Fig 1-4)

- (c) The vehicle bed side rails have internal stop detents every four inches. With the knob loose, slide the bracket assembly fore or aft to the desired location. As you tighten knob, continue to slide the bracket fore and aft until you feel the clamp plate lock into one of the rail stop detents. Tighten the knob and repeat on the other side. (Fig. 1-4)

- (d) Repeat steps 2 (a) and 2 (b) to complete the installation.

TOYOTA TUNDRA 2007 - CARGO DIVIDER

Checklist - these points **MUST** be checked to ensure a quality installation.

Check:

Look For:

Accessory Function Checks

Securely Installed

Check to see that all four knobs are hand tight and the screen/bracket assembly will not slide in the vehicle bed rails.