

Preparation

Part Number: PT545-00082

Kit Contents

Item #	Quantity Req'd.	Description
1	1	Unit Assembly Kit
2	1	Mounting Kit
3	1	Hardware Bags
4	1	Unit and Fit Kit List
5	1	Owner's Manual

Unit Assembly Kit Contents

Item #	Quantity Req'd.	Description
1	1	Interface Kit

Mounting Kit Contents

Item #	Quantity Req'd.	Description
1	1	iPod Cable
2	1	Grommet

Hardware Bag Contents

Item #	Quantity Req'd.	Description
1	1	Foam Sleeve
2	4	2x4 inch Adhesive Protective Foam
3	4	14 inch Lock Tie
4	2	6 inch Lock Tie

Conflicts

XM or Sirius Satellite Radio

Requirement

SAT Ready Head Unit

Recommended Tools

Personal & Vehicle Protection	Notes
Safety Goggles	
Seat Covers	
Special Tools	
Panel Clip Remover	
Sockets	10 mm, 8 mm
Screwdriver	Phillips, #2
Torque Wrench	4.1 N•m (36lbf-in) (battery cable) 10 N•m (7ft-lbf)
Hole Saw	1 1/8 inch (29 mm)
De-burring Tool	
Installation Tools	Notes
Tape Measure/Ruler	Metric/Standard
Side Cutters	
Masking Tape	
Special Chemicals	Notes
Cleaner	3M™ Prep Sol-70

NOTE: Part number of this accessory may not be the same as the part number shown.

General Applicability

Note:-

Recommended Sequence of Application






Item #	Accessory
1	Security System
2	RES
3	EC Rearview Mirror
4	iPod Interface

*Mandatory

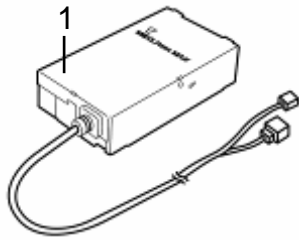
Vehicle Service Parts (may be required for reassembly)

Item #	Quantity Req'd.	Description
1		
2		
3		

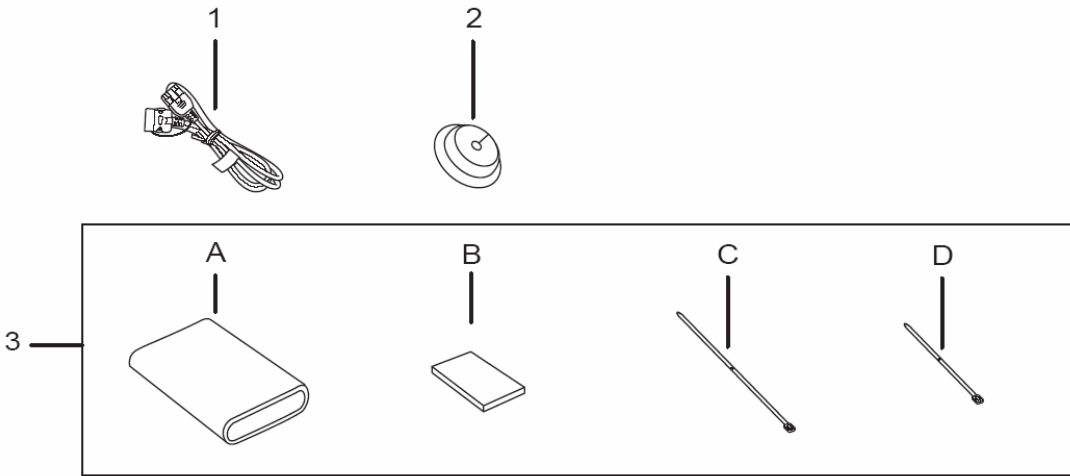
Legend

	STOP: Damage to the vehicle may occur. Do not proceed until process has been complied with.
	OPERATOR SAFETY: Use caution to avoid risk of injury.
	CAUTION: A process that must be carefully observed in order to reduce the risk of damage to the accessory/vehicle and to ensure a quality installation.
	TOOLS & EQUIPMENT: Used in figures and calls out the specific tools and equipment recommended for this process.
	REVISION MARK: This mark highlights a change in installation with respect to previous issue.

Parts Description of Interface Kit Assy.



Item #	Part Name	Part No.	Qty
1	Interface Kit	PT545-00082	1



Parts Description of Mounting Kit (PT545-00082)

Item #	Part Name	Qty
1	iPod Cable	1
2	Grommet	1
3	A Foam Sleeve	1
	B 2x4 inch Adhesive Protective Foam	4
	C 14 inch Lock Tie	4
	D 6 inch Lock Tie	2

Procedure

Care must be taken when installing this accessory to ensure damage does not occur to the vehicle. The installation of this accessory should follow approved guidelines to ensure a quality installation.

These guidelines can be found in the "Accessory Installation Practices" document.

This document covers such items as:-

- Vehicle Protection (use of covers and blankets, cleaning chemicals, etc.).
- Safety (eye protection, rechecking torque procedure, etc.).
- Vehicle Disassembly/Reassembly (panel removal, part storage, etc.).
- Electrical Component Disassembly/Reassembly (battery disconnection, connector removal, etc.).

Please see your Toyota dealer for a copy of this document.

1. Vehicle Disassembly.



(a) Set parking brake.



(b) Remove the negative battery cable.
(Fig. 1-1)



(1) Protect the fender before starting.
CAUTION: Do not touch the positive terminal with any tool when removing cable.



(2) Using the protective blanket, cover front seat, center console, interior of vehicle and front side of the shift lever.



(c) Remove instrument panel garnish LH:

(1) Remove the screw.
(2) Disengage the three (3) clips and remove the instrument panel garnish. (Fig. 1-2)



NOTE: Pull the instrument panel garnish up at a 45° angle to remove it.

(3) Disconnect the connectors.

(d) Remove instrument panel garnish RH:

(1) Remove the screw.
(2) Disengage the three (3) clips and remove the instrument panel garnish. (Fig. 1-3)



NOTE: Pull the instrument panel garnish up at a 45° angle to remove it.

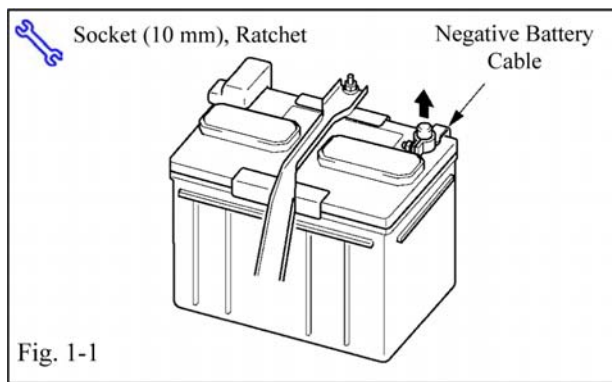


Fig. 1-1

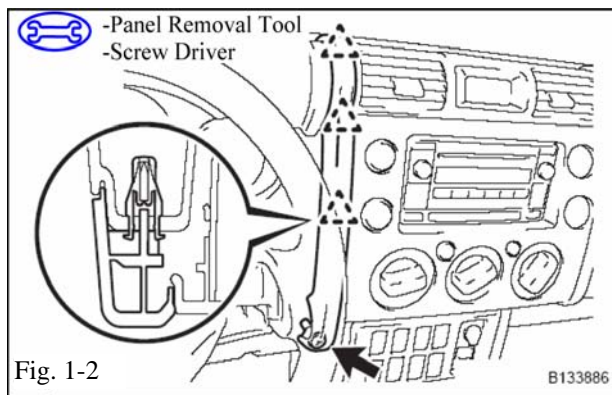


Fig. 1-2

B133886

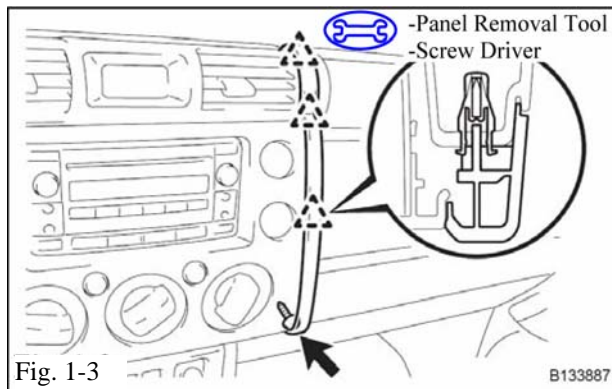
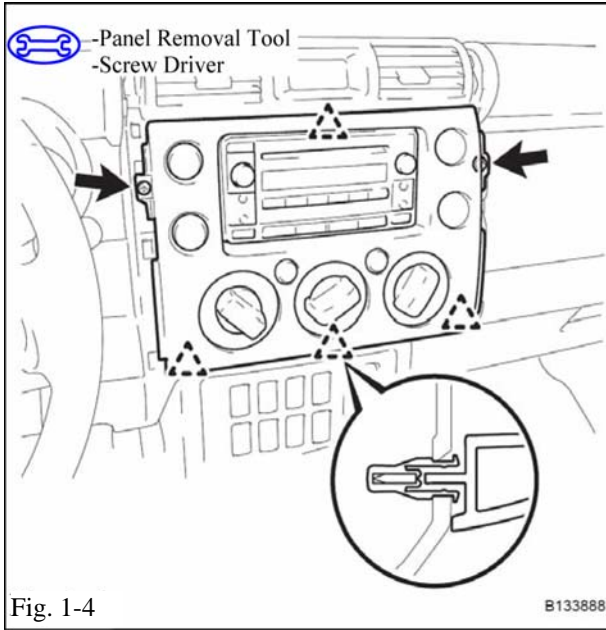


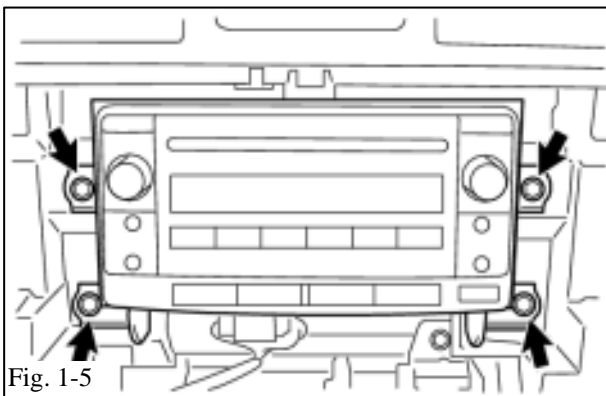
Fig. 1-3

B133887



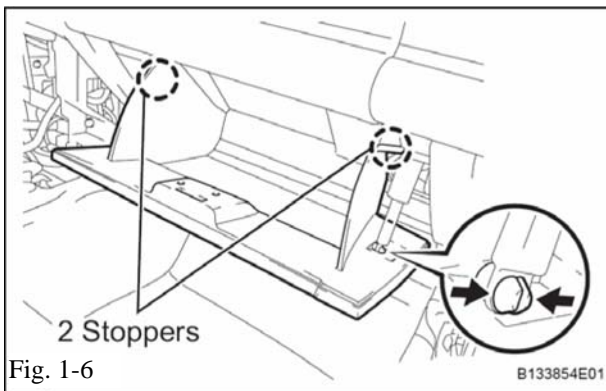
(e) Remove integration control and panel assembly.

- (1) Remove the two (2) screws. (Fig. 1-4)
- (2) Disengage the four (4) clips and remove the panel assembly. (Fig. 1-4)
- (3) Disconnect the three (3) connectors.
- (4) Remove four (4) head unit attachment bolts. (10 mm socket)



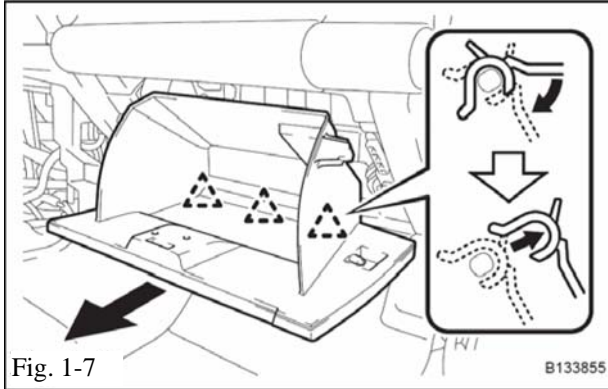
(f) Remove Radio Receiver Assembly.

- (1) Remove the (4) bolts and the radio receiver. (Fig. 1-5)

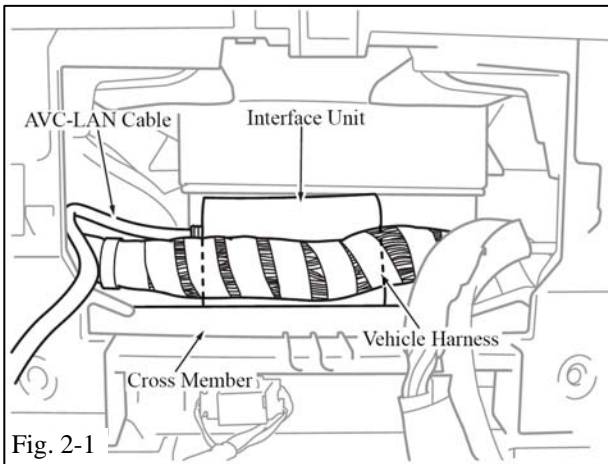


(g) Remove the glove box.

- (1) Remove the glove box damper from glove box mount. (Fig. 1-6)
- (2) Squeeze both ends of the box together to pull in the stoppers, which will allow the glove box to fully open. (Fig. 1-6)

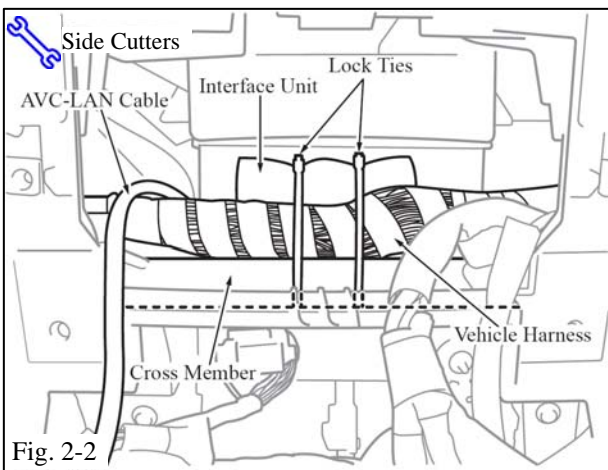


- (3) Disengage the claws on the bottom by pulling the glove box toward the rear of the vehicle and then remove the glove box door. (Fig. 1-7)



2. Install the Interface Unit.

- (a) Slide the interface unit into the foam sleeve.
- (b) Plug the iPod cable into the interface unit. (Fig. 2-1)
- (c) Place the interface unit behind the vehicle harness located at the back of the head unit. (Fig. 2-1)



- (d) Tighten the two (2) 14” lock ties to secure the interface unit to the vehicle harness and the cross member. (Fig. 2-2)
- (1) Cut off all excess of the lock ties after tightening.

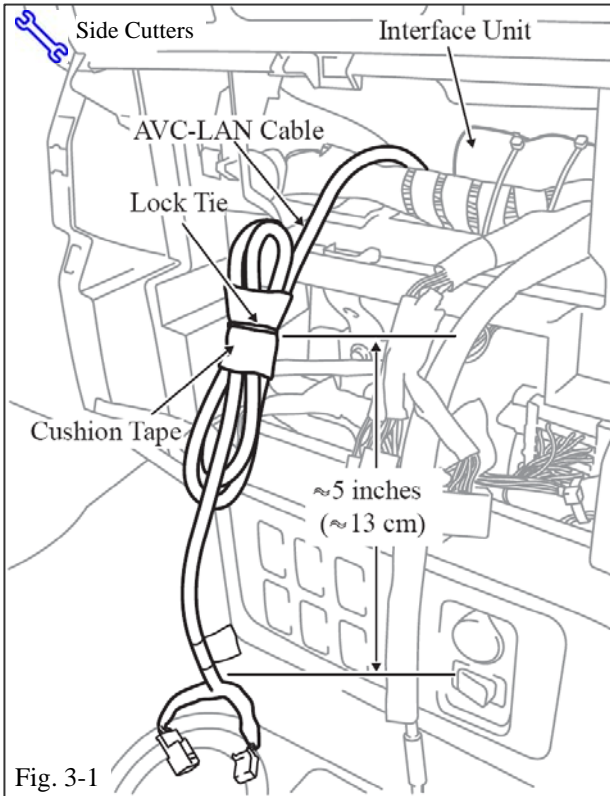


Fig. 3-1

3. Connect the AVC-LAN Cable to the Head Unit.

- (a) Bundle the excess AVC-LAN cable and secure with cushion tape and one (1) 14" lock tie. (Fig. 3-1)

NOTE: Cut off all excess of lock tie after tightening.

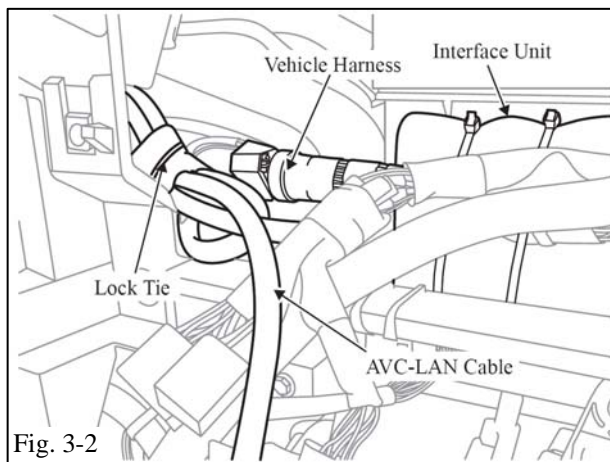
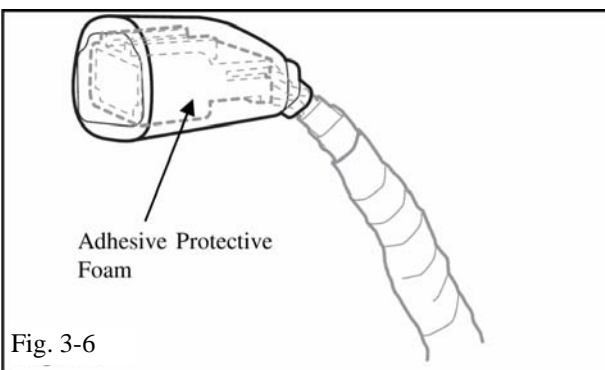
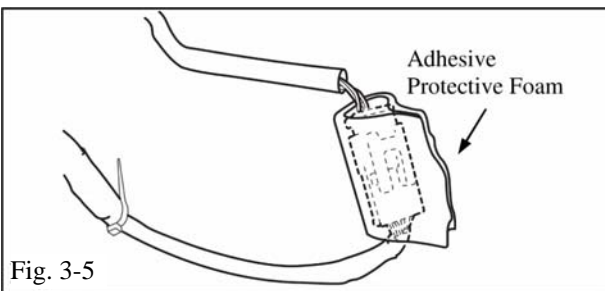
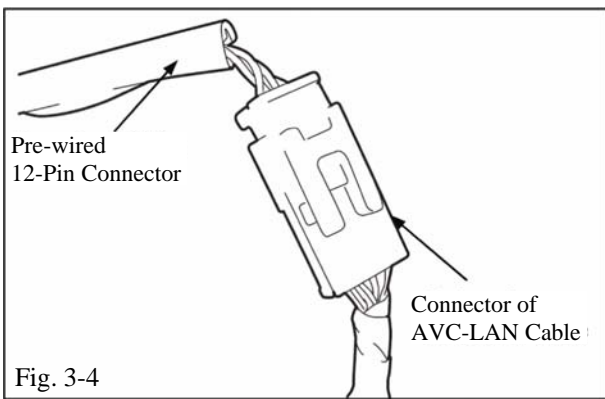
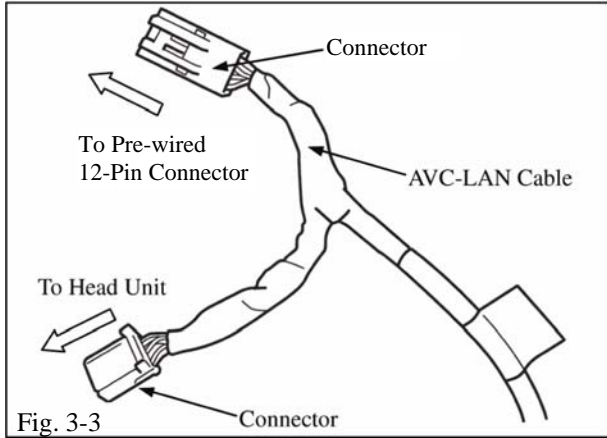


Fig. 3-2

- (b) Fit the bundled AVC-LAN cable into the left side of the instrument panel. (Fig. 3-2)



NOTE: If the 12-pin connector is already pre-wired to the head unit, proceed to step (c). If the 12-pin connector is not pre-wired to the head unit, proceed to step (d).

(c) If the 12-pin connector is already pre-wired to the head unit.

(1) Remove the pre-wired 12-pin connector from the head unit.

(2) If applicable, plug the pre-wired 12-pin connector into the connector of the AVC-LAN cable. (Fig. 3-4).

(3) Wrap the connectors with adhesive protective foam to secure. (Fig. 3-5)

(4) Reconnect the factory harness and antenna cable.

(d) If the 12-pin connector is not pre-wired to the head unit.

(1) Wrap the unused connector of the AVC-LAN cable in adhesive protective foam. (Fig. 3-6)

(2) Reconnect the factory harness and antenna cable.

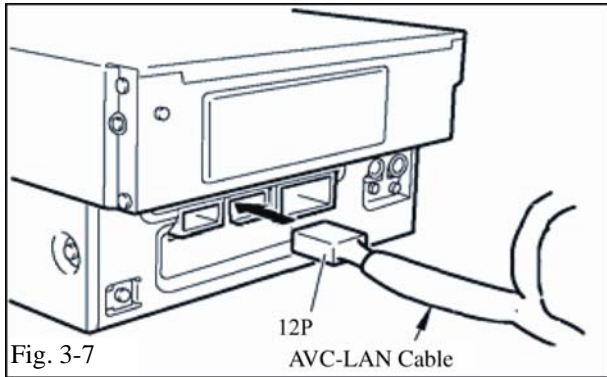


Fig. 3-7

- (e) Plug the connector of the AVC-LAN cable into the head unit. (Fig. 3-7)
- (f) Reinstall head unit.

4. Install and Route the iPod Cable.

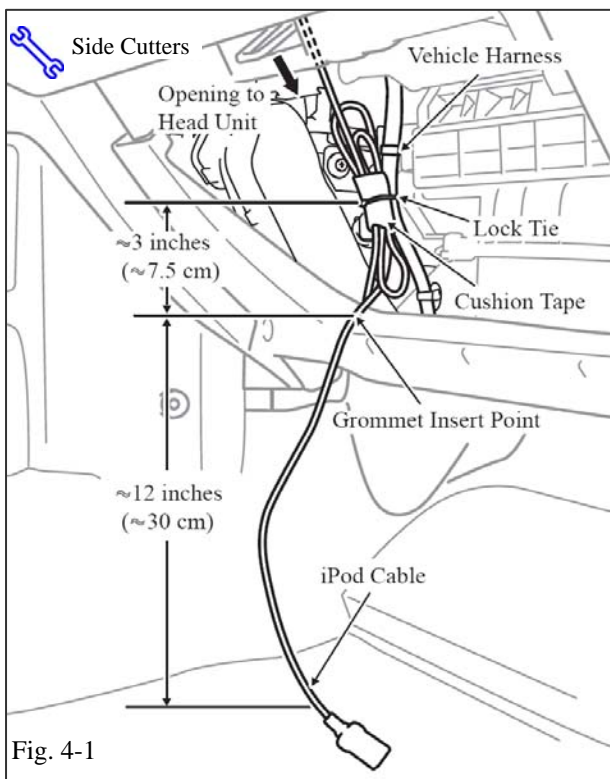
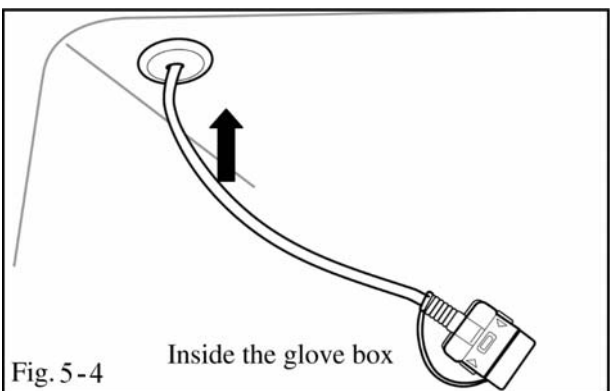
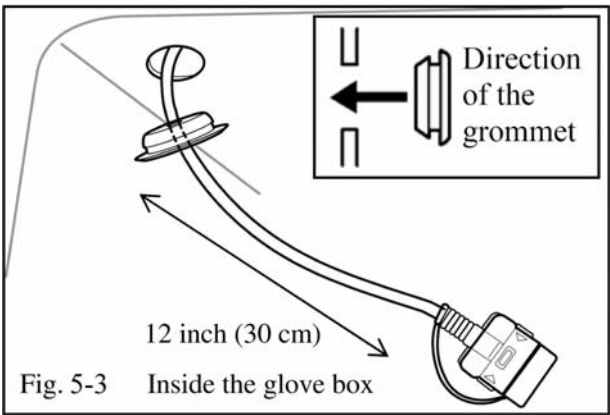
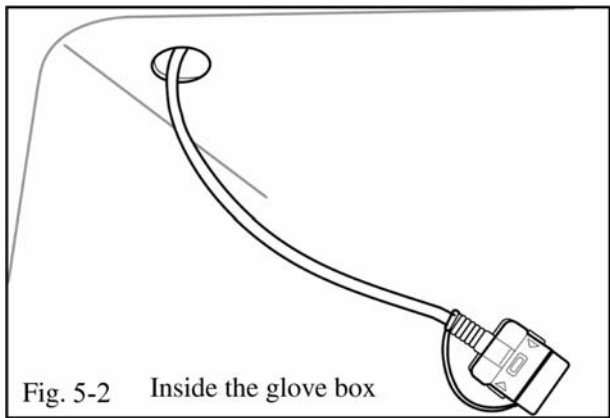
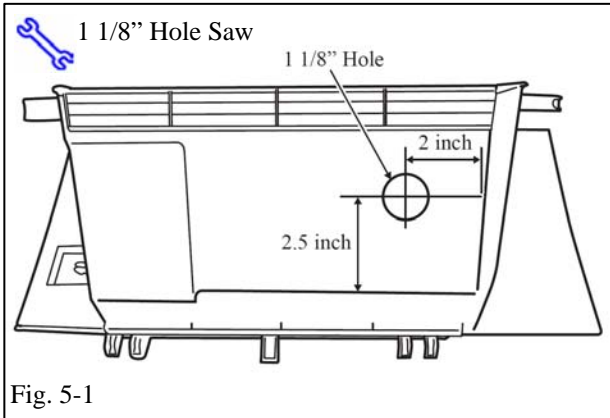


Fig. 4-1

- (a) Route the iPod cable from the head unit through the opening to the glove box. (Fig. 4-1)
- (b) Bundle the excess iPod cable and secure the cable using cushion tape. (Fig. 4-1)
 - (1) Be sure to provide sufficient iPod cable length of about 12 inches for routing through the glove box. (Fig. 4-1)
- (c) Secure the iPod cable to the vehicle harness with one (1) 6" lock tie. (Fig. 4-1)



5. Route the iPod Cable Terminal.

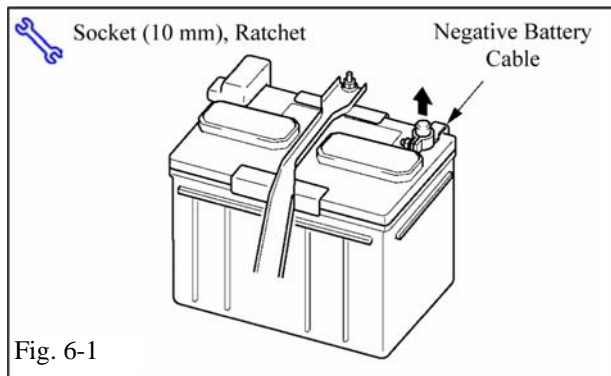
- (a) Make a round hole through which the cable can pass at the location on the glove box shown in the illustration. (Fig. 5-1)
 - (1) Hole saw is 1 1/8" (29 mm).
 - (2) De-bur drilled hole.
 - (3) Clean shavings from glove box after drilling.

- (b) Route the iPod cable through the hole from outside of the glove box. (Fig. 5-2)




- (c) Apply the grommet to the iPod cable. The distance from the grommet to the iPod connector terminal should be approx. 12 inches. (Fig. 5-3)

- (d) Secure the grommet to the hole from the inside of the glove box. (Fig. 5-4)

NOTE: The inside of the glove box should look like Fig. 5-4.



6. Vehicle Reassembly.

- (a) Reinstall glove box assembly.
- (b) Reinstall dash components & trim pieces.
 - (1) Reconnect any disconnected connectors.
- (c) Reconnect the vehicle's negative battery cable. (Fig. 6-1)
 - (1) Reconnect the negative terminal back to its original position.
 -  (2) Tighten the nut with 4.1 N-m (36 lbf-in) of torque.
 -  (3) Be careful not to touch the positive battery terminal.
 - (d) Clean up and remove any trash.
 -  (e) Place the owner's manual in the glove box.

TOYOTA FJ CRUISER 2008 - INTERFACE KIT FOR IPOD

Checklist - these points MUST be checked to ensure a quality installation.

<u>Check:</u>	<u>Look For:</u>
<p><u>Accessory Function Checks</u></p> <p><input type="checkbox"/> Interface Kit for iPod</p> <p><input type="checkbox"/> Receiver/player Assembly</p>	<p>*Verify proper connection of Interface Kit for iPod.</p> <p>*Verify the proper operation of the Receiver/player Assembly.</p> <p>*Verify both AM & FM have good reception.</p> <p>*(Refer to the receiver assembly and radio owner's manuals.)</p>
<p><u>Vehicle Function Checks</u></p> <p><input type="checkbox"/> Audio AM/FM</p> <p><input type="checkbox"/> Hazard switch</p> <p><input type="checkbox"/> HVAC</p> <p><input type="checkbox"/> Multi-information displays. (Clock, Temp., and MPG meter)</p> <p><input type="checkbox"/> Operation of the 12V outlet switch</p>	<p>Verify the proper operation of the audio AM/FM.</p> <p>Verify the proper operation of the hazard switch.</p> <p>Verify the proper operation of the air conditioning system.</p> <p>Verify the proper operation of the multi information displays.</p> <p>Verify the proper operation of the 12V outlet switch.</p>