

Part Number:
PT218-89110 (with slider)

NOTE: Part number of this accessory may not be the same as the part number shown

Kit Contents

Item #	Quantity Reqd.	Description
1	1	Cargo Tray

Hardware Bag Contents

Item #	Quantity Reqd.	Description

Additional Items Required For Installation

Item #	Quantity Reqd.	Description

Conflicts

--

Recommended Tools

Personal & Vehicle Protection	Notes
Special Tools	Notes
Utility Knife	
Installation Tools	Notes
Special Chemicals	Notes

General Applicability

--

Recommended Sequence of Application







Item #	Accessory

*Mandatory

Vehicle Service Parts (may be required for reassembly)

Item #	Quantity Reqd.	Description
1		
2		
3		

Legend

	STOP: Damage to the vehicle may occur. Do not proceed until process has been complied with.
	OPERATOR SAFETY: Use caution to avoid risk of injury.
	CAUTION: A process that must be carefully observed in order to reduce the risk of damage to the accessory/vehicle and to ensure a quality installation.
	TOOLS & EQUIPMENT: Used in Figures calls out the specific tools and equipment recommended for this process.
	REVISION MARK: This mark highlights a change in installation with respect to previous issue.
	SAFETY TORQUE: This mark indicates that torque is related to safety.

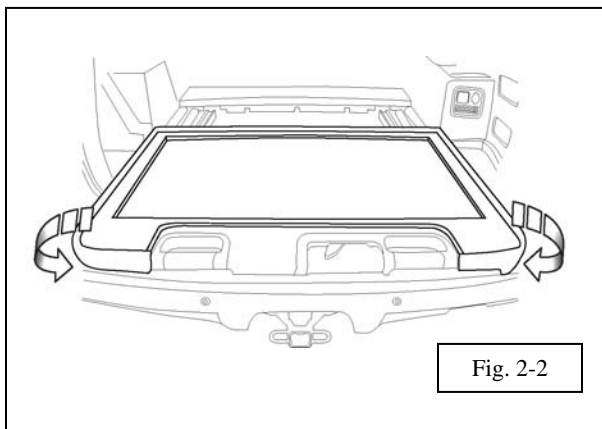
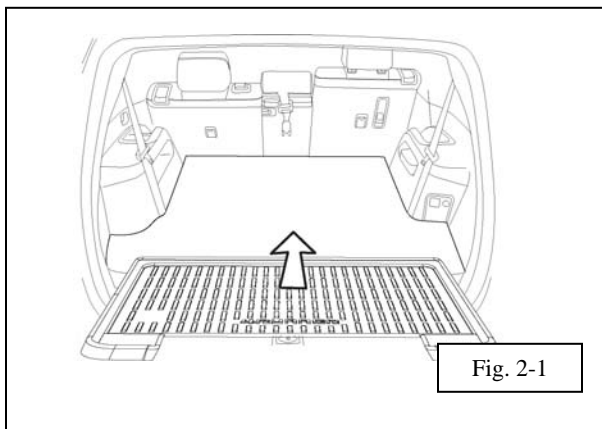
Care must be taken when installing this accessory to ensure damage does not occur to the vehicle. The installation of this accessory should follow approved guidelines to ensure a quality installation.

These guidelines can be found in the "Accessory Installation Practices" document.

This document covers such items as:-

- Vehicle Protection (use of covers and blankets, cleaning chemicals, etc.).
- Safety (eye protection, rechecking torque procedure, etc.).
- Vehicle Disassembly/Reassembly (panel removal, part storage, etc.).
- Electrical Component Disassembly/Reassembly (battery disconnection, connector removal, etc.).

Please see your Toyota dealer for a copy of this document.



1. PREPARATION

- (a) Open package and check part for damage and kit contents.
- (b) Remove any debris from rear cargo area.
- (c) Place vehicle protection over the rear bumper.

2. INSTALL THE CARGO TRAY

- (a) Place Cargo Tray in Cargo Area with logo towards the rear of the vehicle and facing up. (Fig 2-1)
- (b) Drape the Cargo Tray over the edges of the sliding tray to lock it into place. (Fig 2-2)
- (c) Once the Cargo Tray is installed move the sliding tray in and out to ensure it is properly placed and does not interfere with the function of the sliding tray.

3. COMPLETE THE INSTALLATION

- (a) Remove the vehicle protection.
- (b) Close Tail gate.

Checklist - these points **MUST** be checked to ensure a quality installation.

Check: _____

Look For: _____

Accessory Function Checks

Correct part number has been installed.

Verify part number on package.

Vehicle Function Checks