

Part Number: PT218-35070

Kit Contents

Item #	Quantity Reqd.	Description
1	1	Tire Cover
2	1	Installation Instructions

Hardware Bag Contents

Item #	Quantity Reqd.	Description

Additional Items Required For Installation

Item #	Quantity Reqd.	Description

Conflicts

--

Recommended Tools

Personal & Vehicle Protection	Notes
None	
Special Tools	Notes
None	
Installation Tools	Notes
None	
Special Chemicals	Notes
None	

NOTE: Part number of this accessory may not be the same as the part number shown.

General Applicability

Note: All vehicle without factory Spare Tire Cover
--

Recommended Sequence of Application





Item #	Accessory
1	

***Mandatory**

Vehicle Service Parts (may be required for reassembly)

Item #	Quantity Reqd.	Description
1		

Legend

	STOP: Damage to the vehicle may occur. Do not proceed until process has been complied with.
	OPERATOR SAFETY: Use caution to avoid risk of injury.
	CAUTION: A process that must be carefully observed in order to reduce the risk of damage to the accessory/vehicle and to ensure a quality installation.
	TOOLS & EQUIPMENT: Used in Figures calls out the specific tools and equipment recommended for this process.

Care must be taken when installing this accessory to ensure damage does not occur to the vehicle. The installation of this accessory should follow approved guidelines to ensure a quality installation.

These guidelines can be found in the "Accessory Installation Practices" document.

This document covers such items as:-

- Vehicle Protection (use of covers and blankets, cleaning chemicals, etc.).
- Safety (eye protection, rechecking torque procedure, etc.).
- Vehicle Disassembly/Reassembly (panel removal, part storage, etc.).
- Electrical Component Disassembly/Reassembly (battery disconnection, connector removal, etc.).

Please see your Toyota dealer for a copy of this document.

1. Customer Care Information.

- ⚠ (a) Be sure spare tire is inflated to recommended pressure stated on doorplate.
- (b) To clean vinyl and plastic backing use a mild soap and water solution. (Approx. one tablespoon of soap per half gallon of water.) Using a cloth or sponge, gently rub soiled area until clean. Take care to rinse with clear water when finished. Repeat if necessary. Hang tire cover out to dry.

NOTE: Tire cover will be easier to install if it is warmed before installation. Your tire cover was designed to have a tight fit, and when fully installed it will be snug. Don't be afraid to tug.

2. Tire Cover Installation.

- (a) Open packaging and inspect product for damage.
- (b) Align the tire cover to the tire so that the sewn seam is on the bottom. (Fig. 2-1)

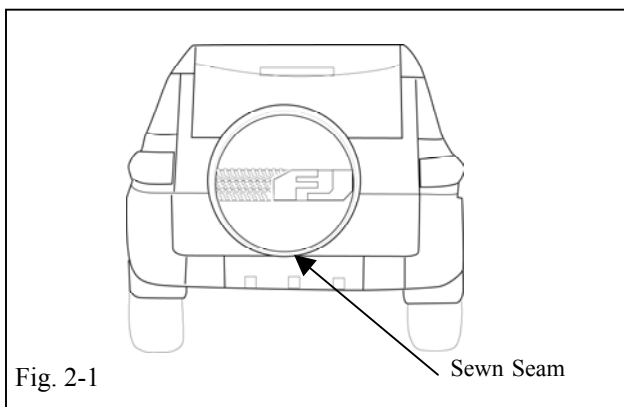


Fig. 2-1

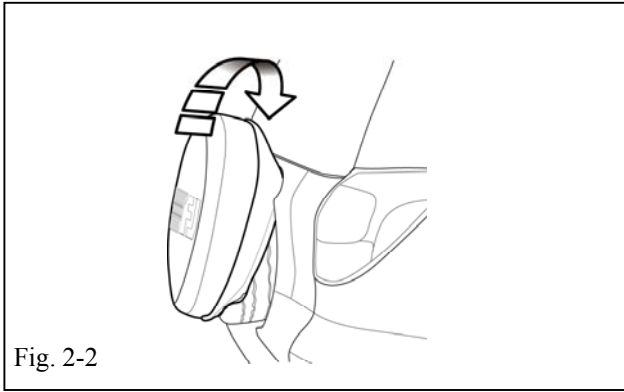


Fig. 2-2

(c) Start by slipping the top half of the soft vinyl part of the cover completely over the top of the tire (Fig. 2-2.)

(1) Working from the top down, continue to install the soft vinyl over the tire.

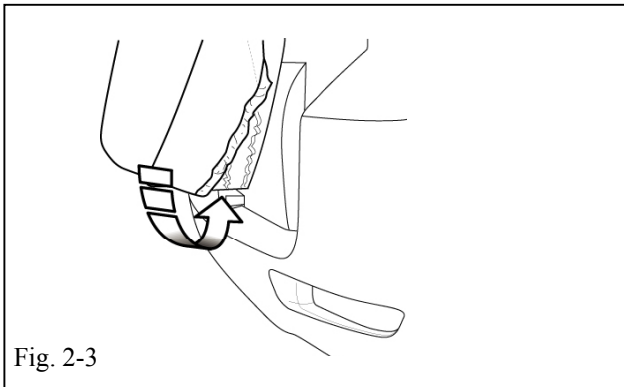


Fig. 2-3

(d) To install the bottom half, open the back door to gain access to the bottom of the tire.

(1) Pull the elastic edge over the bottom of the tire (Fig. 2-3.)

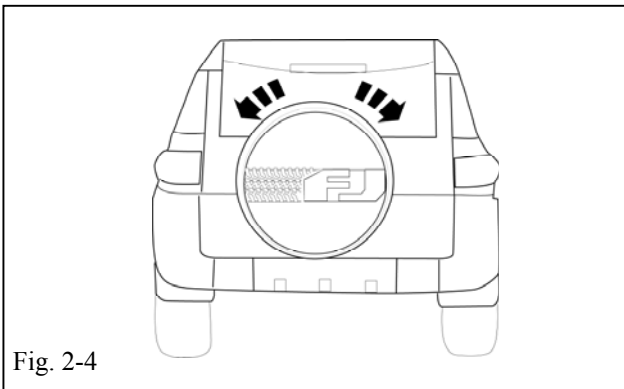


Fig. 2-4

(e) Once all the vinyl has been installed as far as possible, manually spin the cover while pressing inward to fully seat the remainder of the vinyl. (Fig. 2-4)

(1) Re-orient the cover if necessary. Visually align the logo and adjust as necessary.

TOYOTA FJ CRUISER 2007 - SPARE TIRE COVER

Checklist - these points **MUST** be checked to ensure a quality installation.

Check:

Accessory Function Checks

- Correct part number has been installed.
- Check for proper fit.

- Check for proper adjustment.

Look For:

Verify the part number on the package.

Verify the spare tire cover is properly inflated to the correct pressure.

Verify that the tire cover is smooth and wrinkle free and that the notches are aligned.