

Last Modified: 2-10-2010	6.4 A	From: 200710
Model Year: 2008	Model: Tundra	Doc ID: RM000002W78001X
Title: EXTERIOR: RADIATOR GRILLE: REMOVAL (2008 Tundra)		

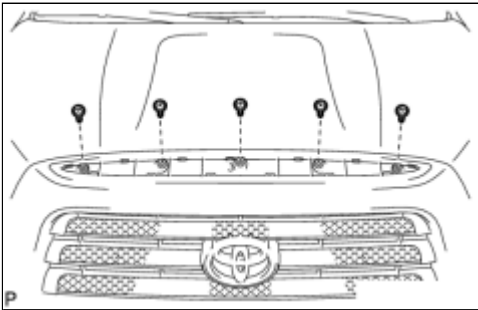
REMOVAL



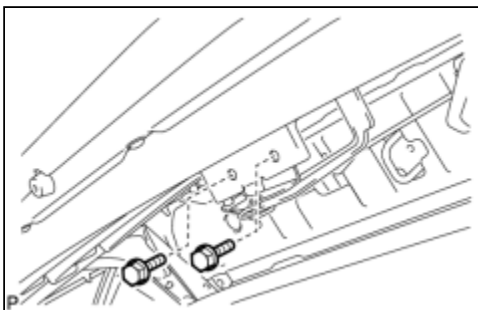
1. REMOVE UPPER RADIATOR GRILLE MOULDING

- Put protective tape around the moulding.
- Using a moulding remover, detach the 13 claws and remove the moulding.

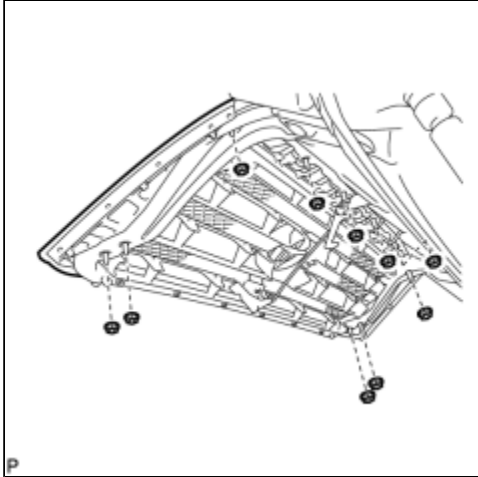
2. REMOVE RADIATOR GRILLE SUB-ASSEMBLY



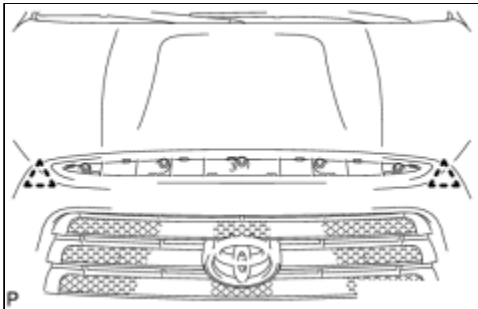
- Remove the 5 screws.



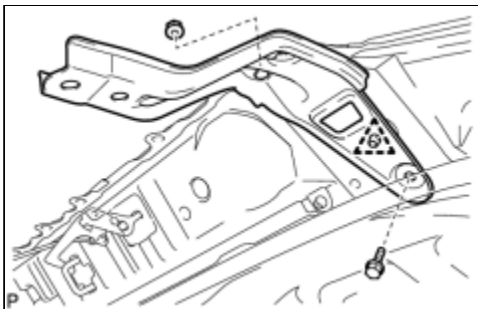
- Remove the 2 bolts.



(c) Remove the 10 nuts.



(d) Detach the 2 clips and remove the radiator grille.



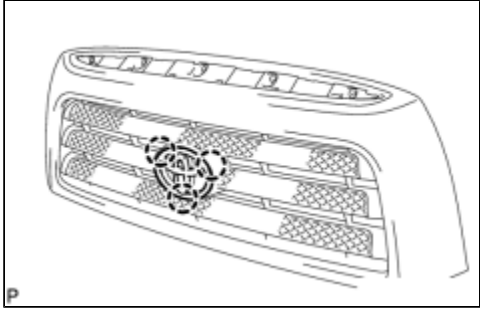
3. REMOVE LOWER RADIATOR GRILLE BRACKET LH

- (a) Remove the bolt and nut.
- (b) Detach the clip and remove the bracket.

4. REMOVE LOWER RADIATOR GRILLE BRACKET RH

HINT:

Use the same procedures described for the LH side.



5. REMOVE RADIATOR GRILLE EMBLEM

- (a) Detach the 3 claws and remove the emblem.

