

Part Number: 08586-3T930

Kit Contents

Item #	Quantity Reqd.	Description
1	2	Wire Harness (One wire harness is only for RS3200+)
2	1	GBS ECU
3	1	GBS Mounting Bracket
4	1	Microphone

Hardware Bag Contents

Item #	Quantity Reqd.	Description
1	1	Self-tapping Screw
2	4	Small Foam Tapes
3	30	Wire Ties
4	2	Window Labels for RS3200+
5	2	Window Labels for GBS
6	1	Owner's Manual for RS3200+
7	1	Owner's Manual for GBS
8	1	M6 Nut
9	1	Key Tag
10	1	Warranty Card

Additional Items Required For Installation

Item #	Quantity Reqd.	Description
1	1	Electrical Tape

Conflicts

--

Recommended Tools

Personal & Vehicle Protection	Notes
Safety Glasses	
Safety Gloves	(Optional)
Vehicle Protection	Blankets, Part Boxes
Special Tools	Notes
Striker Tool (PPO only)	CAD-E IADS P/N: ALL 02-016-01
Installation Tools	Notes
Phillips Head Screwdriver	#2, screwdriver or tip
Flat Blade Screwdriver	Small
Socket	10 mm
Nylon Panel Removal Tool	e.g. Panel Pry Tool #1 Toyota SST # 00002-06001-01
Pneumatic/Electric Wrench	
Wrench	10 mm
Torque Wrench	
Side Cutters	
Special Chemicals	Notes
Cleaner	VDC Approved Cleaner
Glass Cleaner	Household Windex

NOTE: Part number of this accessory may not be the same as the part number shown.

General Applicability

Note: Camry with factory TDS system only
--

Recommended Sequence of Application





Item #	Accessory	
1	V2/V4	
2	Satellite Radio	

*Mandatory

Vehicle Service Parts (may be required for reassembly)

Item #	Quantity Reqd.	Description

Legend

	STOP: Damage to the vehicle may occur. Do not proceed until process has been complied with.
	OPERATOR SAFETY: Use caution to avoid risk of injury.
	CAUTION: A process that must be carefully observed in order to reduce the risk of damage to the accessory/vehicle and to ensure a quality installation.
	TOOLS & EQUIPMENT: Used in Figures calls out the specific tools and equipment recommended for this process.

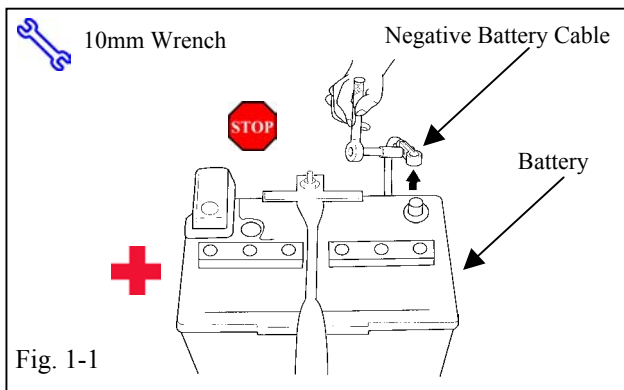
Care must be taken when installing this accessory to ensure damage does not occur to the vehicle. The installation of this accessory should follow approved guidelines to ensure a quality installation.

These guidelines can be found in the "Accessory Installation Practices" document.

This document covers such items as:-

- Vehicle Protection (use of covers and blankets, cleaning chemicals, etc.).
- Safety (eye protection, rechecking torque procedure, etc.).
- Vehicle Disassembly/Reassembly (panel removal, part storage, etc.).
- Electrical Component Disassembly/Reassembly (battery disconnection, connector removal, etc.).

Please see your Toyota dealer for a copy of this document.

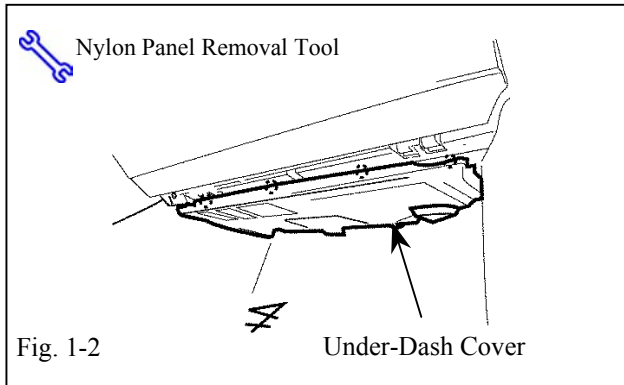


1. Vehicle Disassembly.

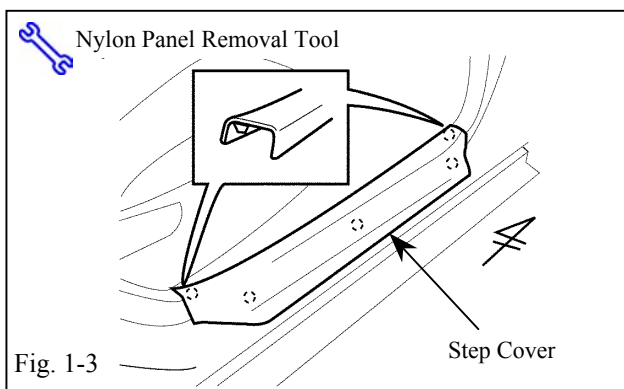
- (a) Remove the negative battery cable.
(Fig. 1-1)



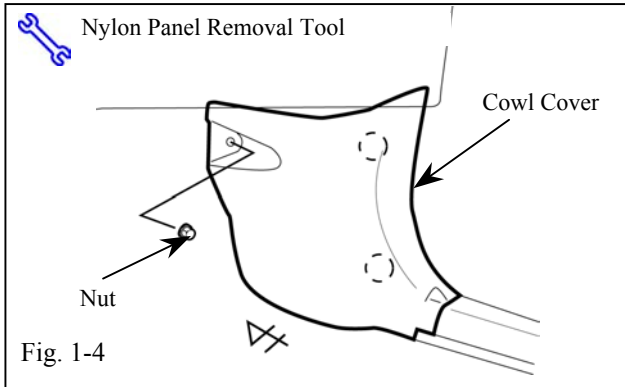
- (1) Protect the fender before starting.
(2) Be careful not to touch the positive terminal.



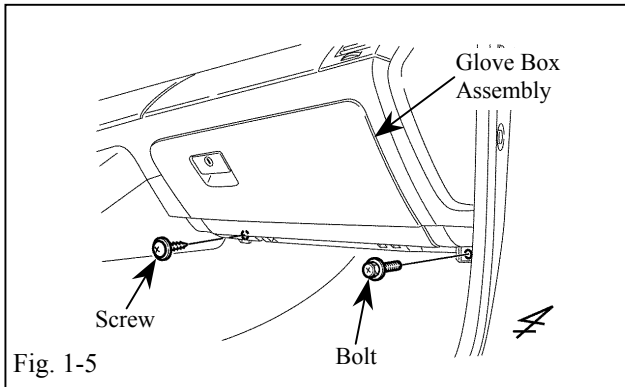
- (b) Remove the glove-box under-dash cover.
(Fig. 1-2)



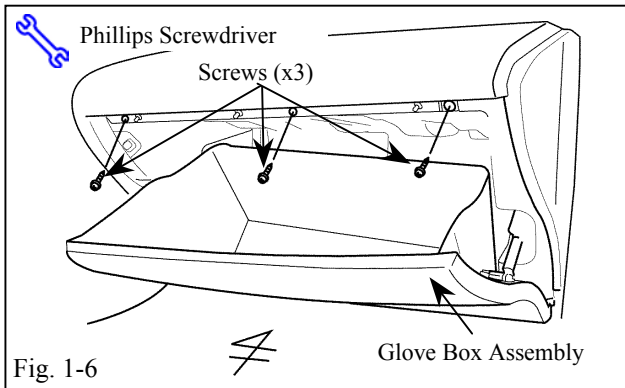
- (c) Remove the passenger's step cover.
(Fig. 1-3)



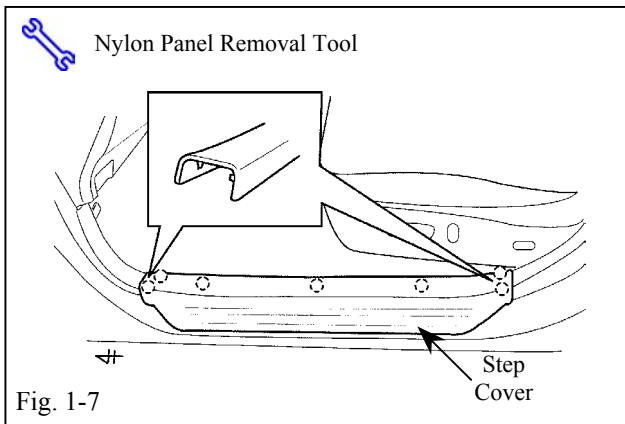
- (d) Remove the nut securing the passenger's cowl cover, then remove the cowl cover. (Fig. 1-4)



- (e) Remove one screw and one bolt from the glove box assembly. (Fig. 1-5)



- (f) Remove the glove box assembly. (Fig. 1-6)
 - (1) Open the glove box door and remove three screws securing the glove box assembly.
- (g) Disconnect the trunk opener cancel switch from the glove box assembly if equipped.

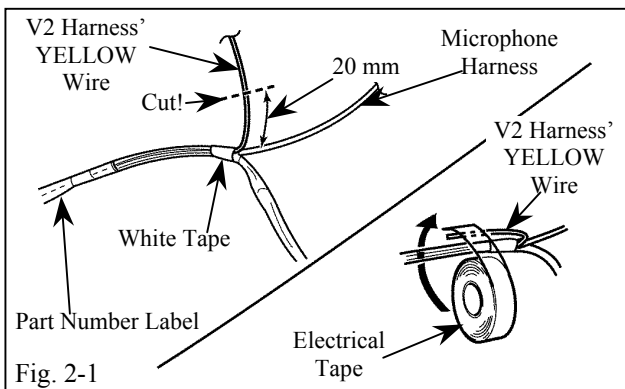
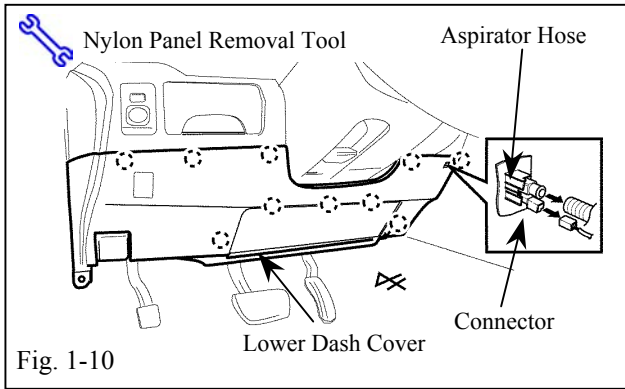
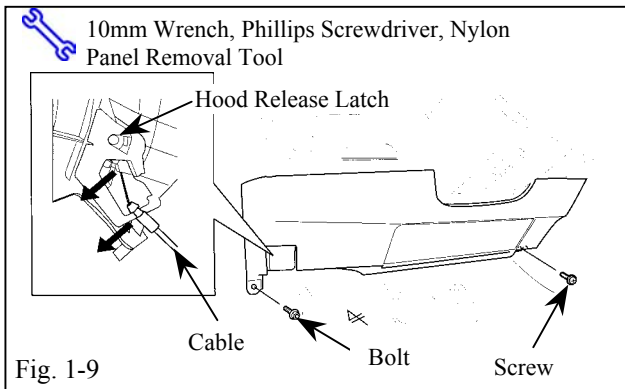
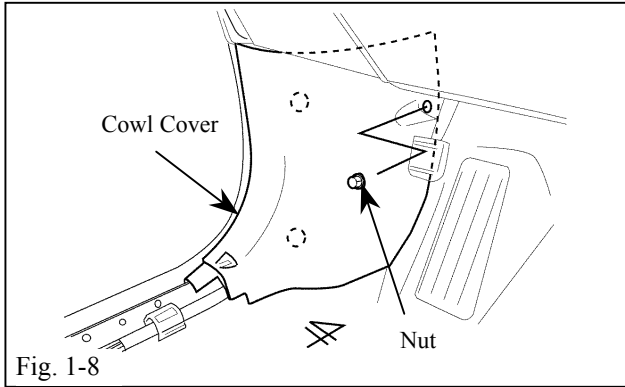


FOR VEHICLES WITHOUT SMART ENTRY SYSTEM ONLY. (Step h)



NOTE: Do not perform this step if the vehicle has Smart Entry.

- (h) Remove the driver's step cover. (Fig. 1-7)



FOR VEHICLES WITHOUT SMART ENTRY SYSTEM ONLY. (Steps i-l)



NOTE: Do not perform this step if the vehicle has Smart Entry.

- (i) Remove the driver's cowl cover. (Fig. 1-8)
- (j) Remove one bolt and one screw. Then, loosen the lower dash cover. (Fig. 1-9)
- (k) Remove the hood release cable. (Fig. 1-9)
 - (1) Do not bend the hood release cable.
- (l) Remove the lower dash cover. (Fig. 1-10)
 - (1) Disconnect the temperature sensor (connector and aspirator hose) from the lower dash cover if equipped.

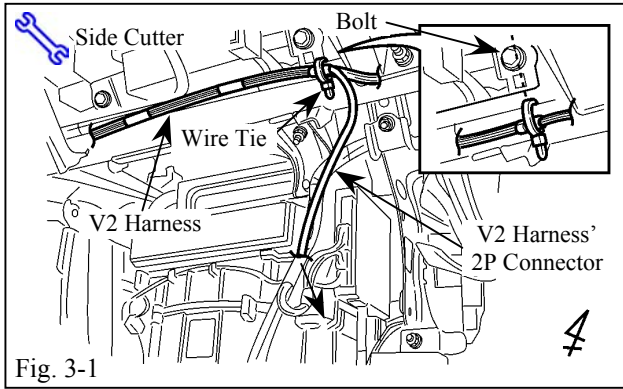
2. V2 Harness Installation Preparation

FOR VEHICLES WITHOUT SMART ENTRY SYSTEM ONLY. (Step a)



NOTE: Do not perform this step if the vehicle has Smart Entry.

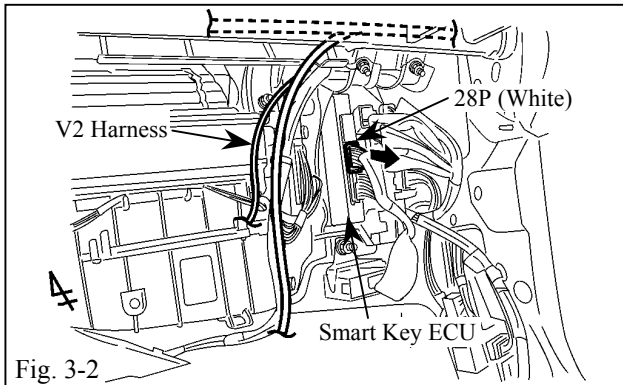
- (a) Locate the V2 harness' YELLOW wire. Near the white tape marker, cut the V2 harness' YELLOW wire 20 mm from the bottom branch of the wire. (Fig. 2-1)
 - (1) Do not cut other wires.
 - (2) Turn the V2 harness' YELLOW wire, and then bind it up to the V2 harness' with the electrical tape. (Fig. 2-1)



3. V2 Harness Installation

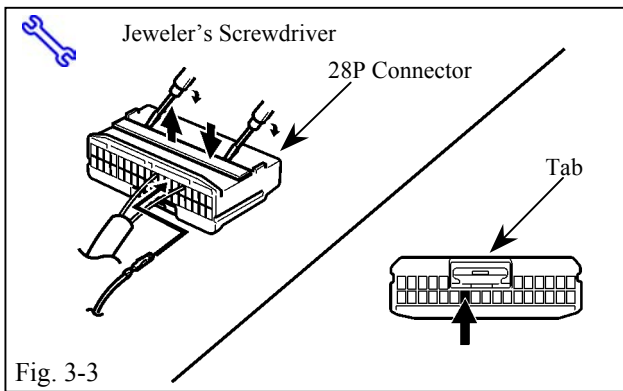
- (a) Locate the passenger side airbag assembly. Locate the V2 harness' white tape marker, and the vehicle harness, and secure together with one wire tie, in line with the bolt of the airbag assembly on the right side. (Fig. 3-1)

FOR SMART ENTRY VEHICLES ONLY.
(Steps b-e)

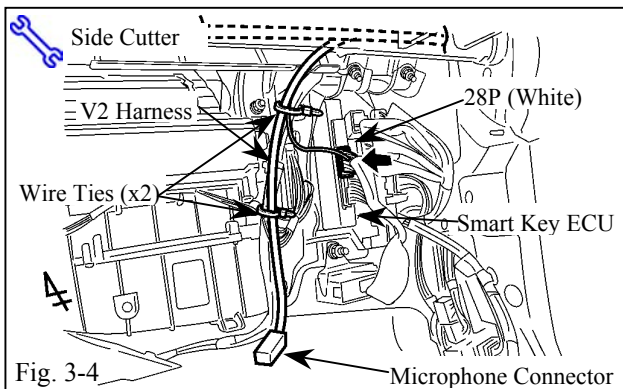


NOTE: Only perform this step on Smart Entry vehicles.

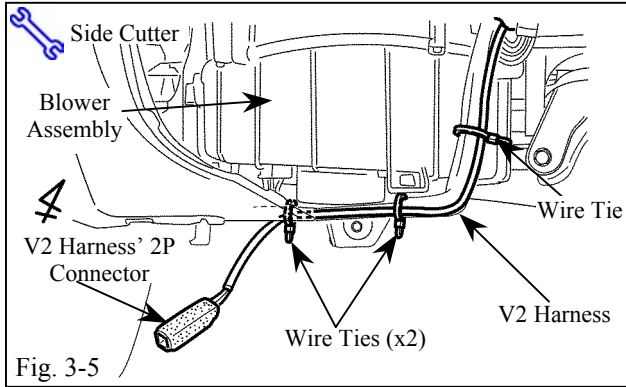
- (b) Locate and disconnect the white 28P connector from the smart key ECU. (Fig. 3-2)
- (c) Using a small jeweler's screwdriver lift up the terminal retainer on the back of the white 28P connector. (Fig. 3-3)
 - (1) Do not pull out the retainer.



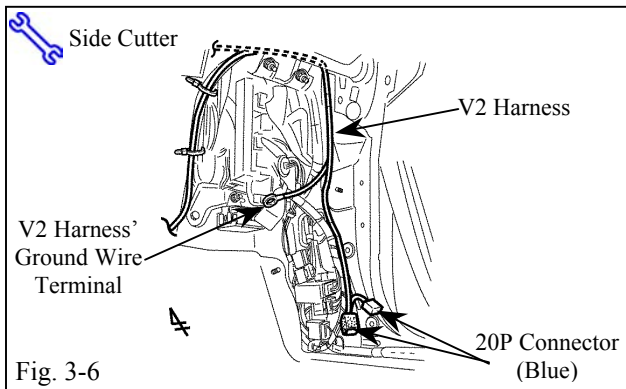
- (d) Insert the terminal at the end of the V2 harness' YELLOW wire into the bottom row, seventh space from the left of the vehicle harness' 28P connector. (Fig. 3-3)
 - (1) Turn the connector so the wire faces you and the tab is on top.
 - (2) Verify the correct opening is chosen; and the terminal is inserted and seated properly.



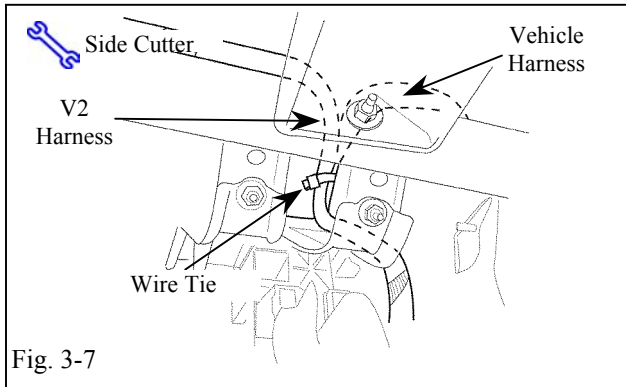
- (3) The terminal should not come out when pulled lightly from the back. If the terminal comes out, push it in further until securely seated.
- (e) Reconnect the 28P connector to the smart key ECU. (Fig. 3-4)
- (f) Route and secure the V2 harness to the vehicle harness with two wire ties. (Fig. 3-4)



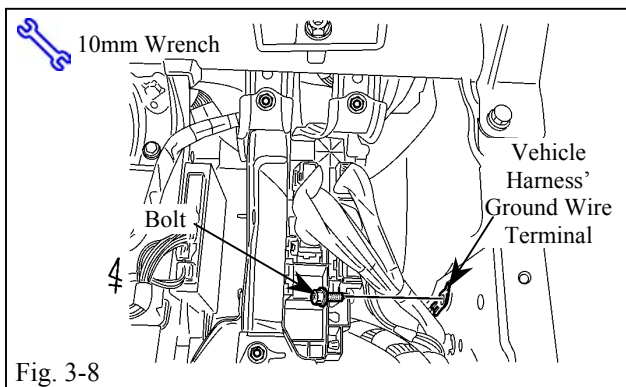
(g) Route the V2 harness downward towards the blower assembly then secure it to the bottom of the blower assembly vehicle harness with three wire ties. (Fig. 3-5)



(h) Route the V2 harness' blue 20P connector and ground wire terminal toward the passenger side cowl area. (Fig. 3-6)

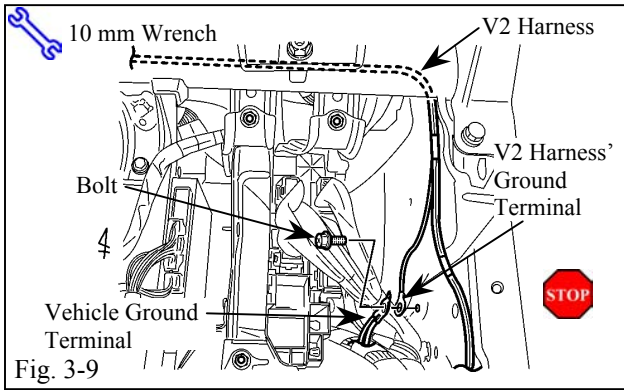


(i) Secure the V2 harness to the cowl, securing it between the reinforcement brace and bracket with one wire tie as shown. (Fig. 3-7)



(j) Locate and remove the vehicle's ground bolt from the right side of the glove box area. (Fig. 3-8)

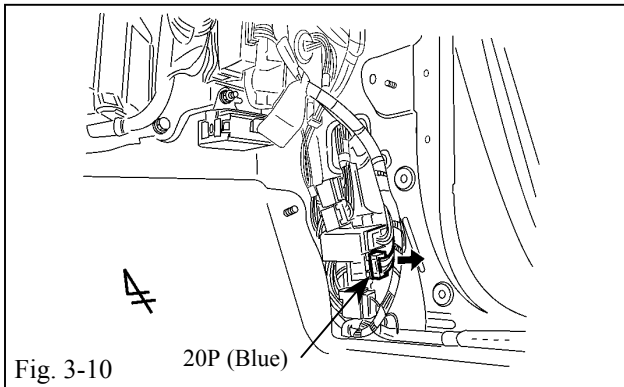
(1) Do not discard the bolt.



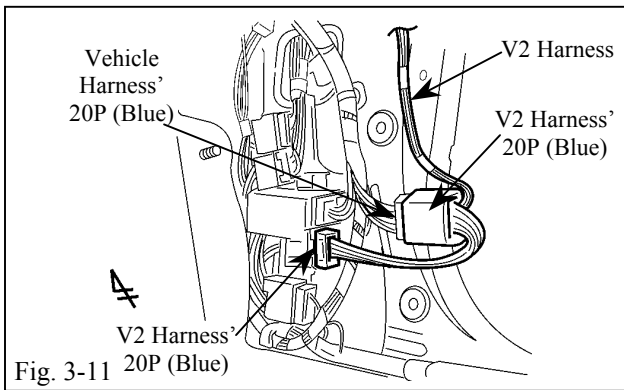
(k) Secure the V2 harness' ground wire terminal, along with the vehicle harness' ground wire terminals, using the existing bolt. (Fig. 3-9)



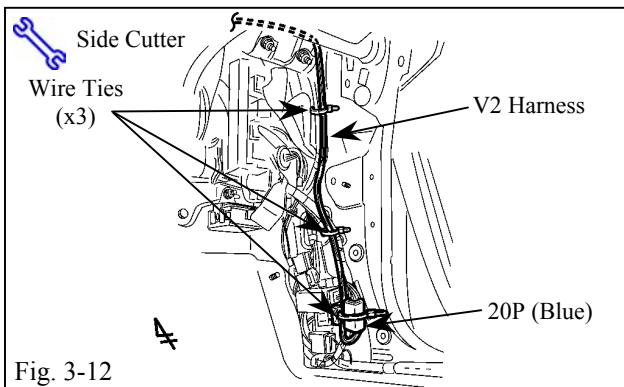
(l) Verify the bolt is tightened securely.



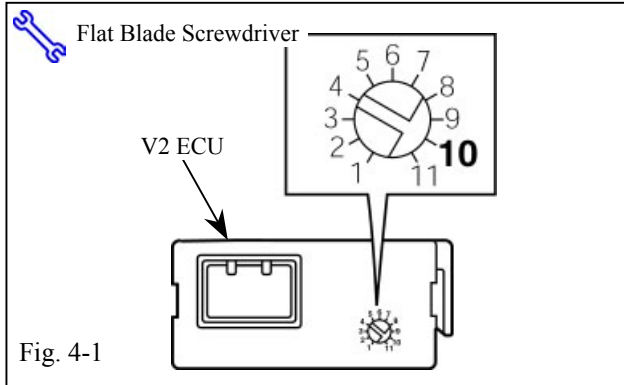
(l) Locate and disconnect the vehicle harness' blue 20P connector from the passenger side cowl area. (Fig. 3-10)



(m) Plug in the V2 harness' blue 20P connector between the vehicle harness' 20P connector and the connector block. (Fig. 3-11)

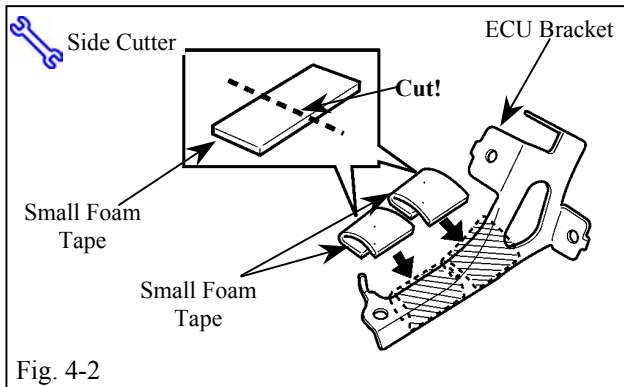


(n) Secure the V2 harness to the vehicle harness with three wire ties. (Fig. 3-12)

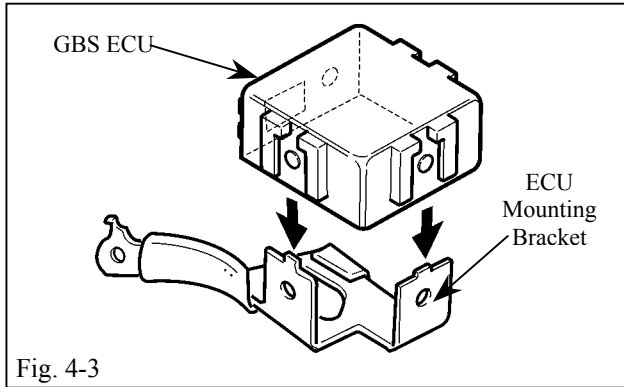


4. V2 ECU Preparation and Installation.

(a) Turn the adjustment screw on the GBS ECU to the “10” position. (Fig. 4-1)



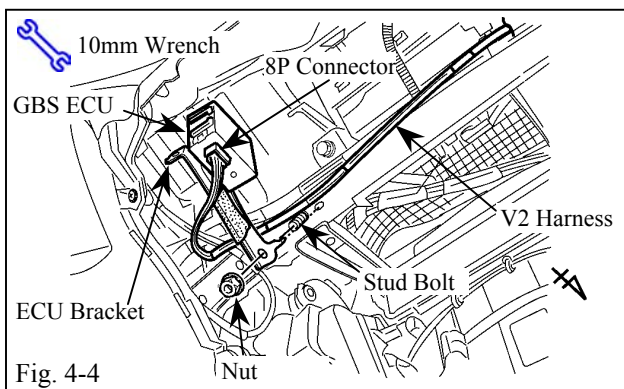
(b) Cut the small foam tape into two pieces. Attach both pieces of the small foam tape to the ECU bracket as shown. (Fig. 4-2)



(c) Insert the ECU mounting bracket into the indicated bracket slots on the GBS ECU. (Fig. 4-3)



CAUTION: The bracket is permanently attached once installed.



(d) Plug the V2 harness' 8P connector into the GBS ECU. (Fig. 4-4)

(e) Locate the counter rotation hole and the hole on the vehicle brace. Mount the GBS ECU assembly as shown, using the supplied self-tapping screw. If the vehicle has a stud bolt, the bracket is secured using the supplied nut, instead of the self-tapping screw. (Fig. 4-4)

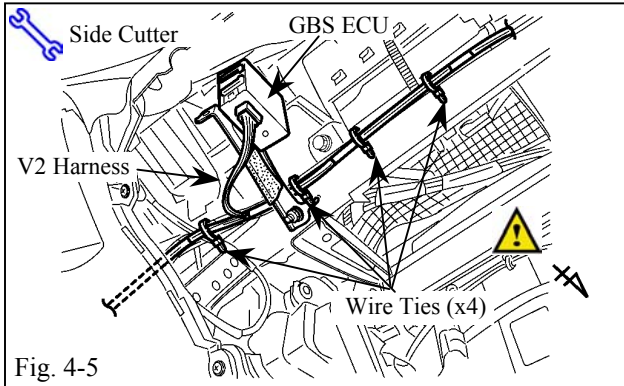


Fig. 4-5

- (f) Connect the V2 harness to the GBS ECU. Secure the V2 harness to the vehicle harness with four wire ties. (Fig. 4-5)



CAUTION: Leave a small amount of slack in the V2 harness.

FOR VEHICLES WITH SMART ENTRY SYSTEM ONLY. (Steps g-h)

NOTE: Only perform this step on Smart Entry vehicles.

- (g) Locate the V2 harness' BLUE and RED wires. Separately wrap the terminal at the end of each wire with electrical tape. (Fig. 4-6)

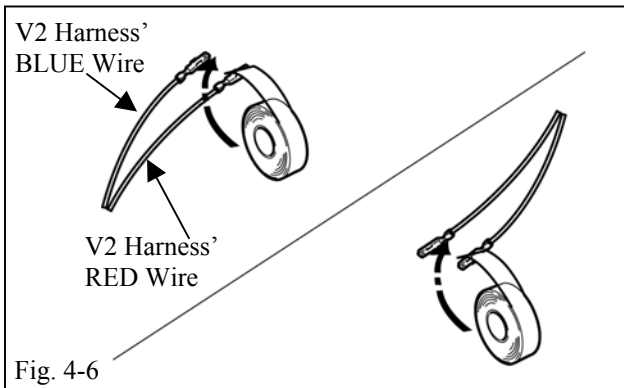


Fig. 4-6

- (h) Bundle up the excess of the V2 wire harness and secure it to the vehicle brace with three wire ties. (Fig. 4-7)

Go to Section 5.

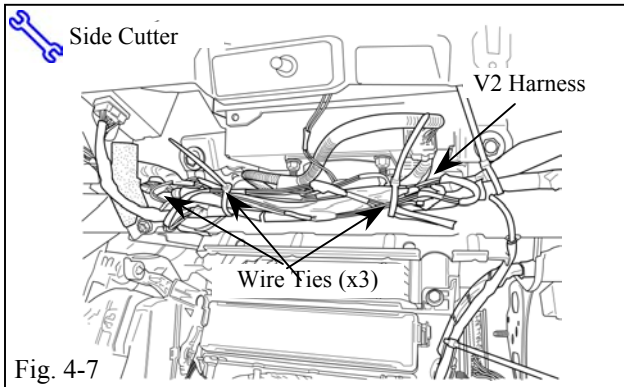


Fig. 4-7

FOR VEHICLES WITHOUT SMART ENTRY SYSTEM ONLY. (Step i)



NOTE: Only perform this step if the vehicle does not have Smart Entry.

- (i) Route the V2 harness behind the center console to the driver's side, and secure with two wire ties. (Fig. 4-8)

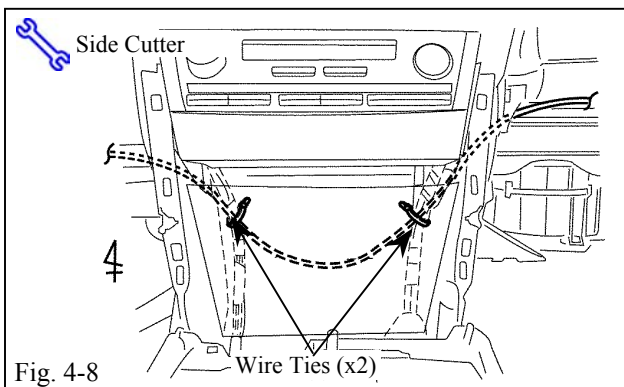
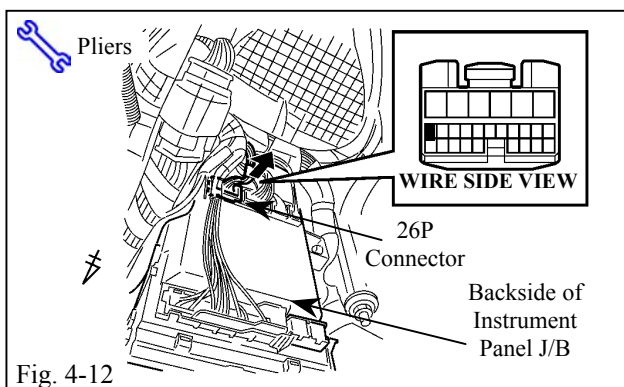
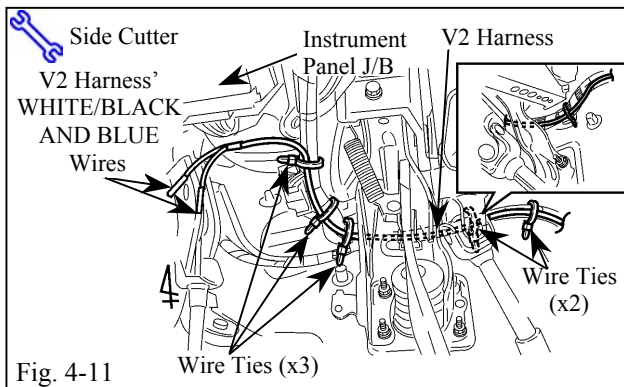
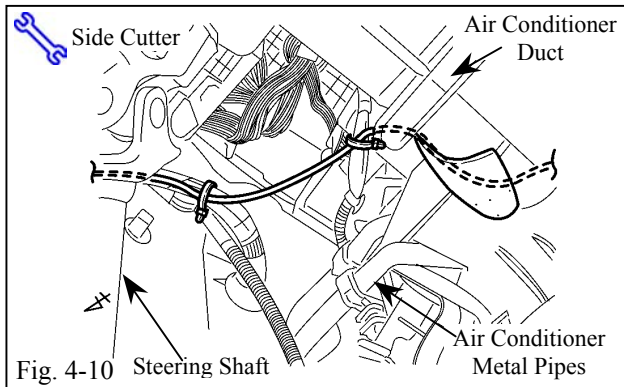
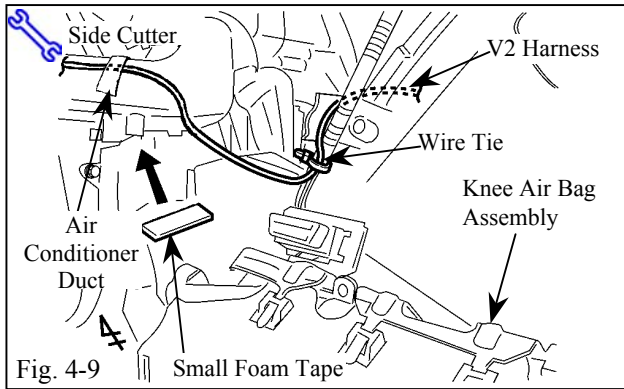


Fig. 4-8



FOR VEHICLES WITHOUT SMART ENTRY SYSTEM ONLY. (Steps j-m)



NOTE: Only perform this step if the vehicle does not have Smart Entry.

(j) Continue routing the V2 harness and secure to the knee air bag assembly and secure with one wire tie. Route towards the air conditioner duct and apply one piece of small foam tape to it, securing the V2 harness to the duct. (Fig. 4-9)

(k) Route the V2 harness towards the air conditioner duct and behind the steering shaft and secure to the vehicle harness with two wire ties. (Fig. 4-10)

(l) Route the V2 harness up toward the instrument panel J/B, then secure it to the vehicle harness with five wire ties. (Fig. 4-11)



CAUTION: Ensure the V2 harness is routed and secured so that it does not contact any sharp edges.

(m) Insert the terminal at the end of the V2 harness' BLUE wire into the first space on the top from the left of the retainer. (Fig. 4-12)



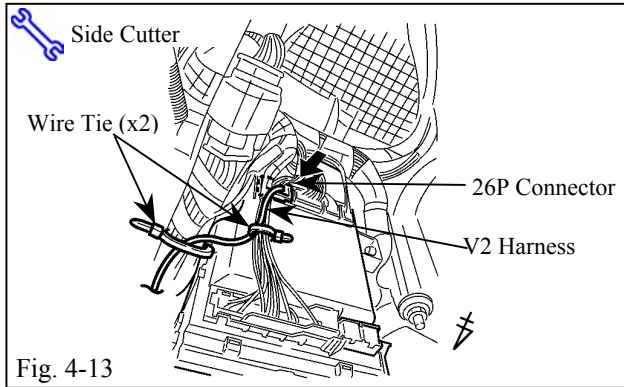
(1) Turn the connector so the wires face you and the retainer is on top.



(2) Verify the correct opening is chosen.



(3) Verify the terminal is inserted and seated properly. The terminal should not come out when pulled lightly from the back. If the terminal comes off, then push it in again.

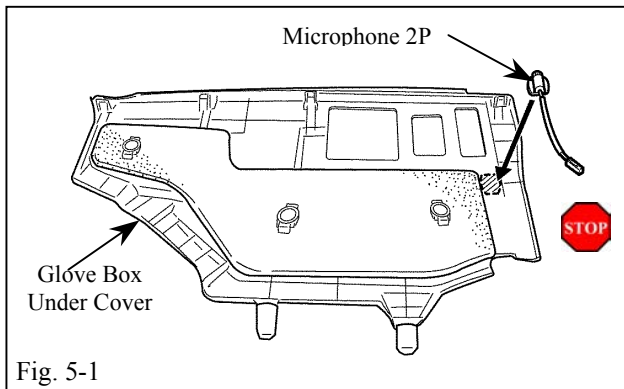


FOR VEHICLES WITHOUT SMART ENTRY SYSTEM ONLY. (Step n)



NOTE: Only perform this step if the vehicle does not have Smart Entry.

(n) Continue routing the V2 harness, and secure it to the wires of the backside of the instrument panel junction block with two wire ties. (Fig. 4-13)



5. Microphone Installation

(a) Using VDC approved cleaner and cleaning method, clean the area indicated on the backside of the glove box under cover. (Fig. 5-1)

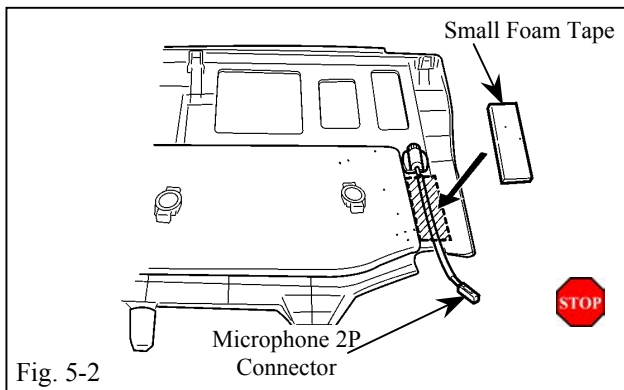
(1) When cleaning with the VDC approved cleaner, follow the manufacturer's directions. Do not allow cleaner to air dry.

(2) Remove the backing sheet and secure the microphone to the backside of the glove box under cover.

(3) Secure the microphone as shown.

(4) Do not touch the adhesive surface of the microphone.

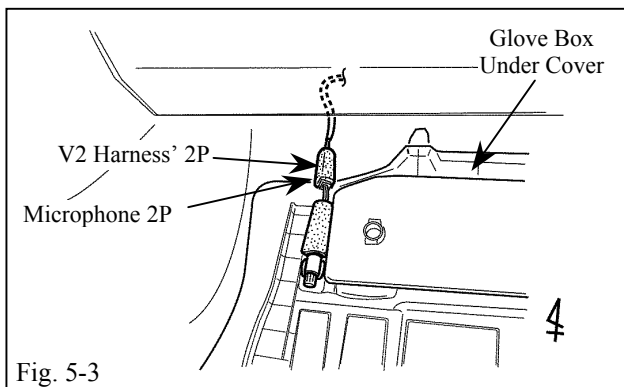
(5) Press the microphone to the glove box under cover firmly.



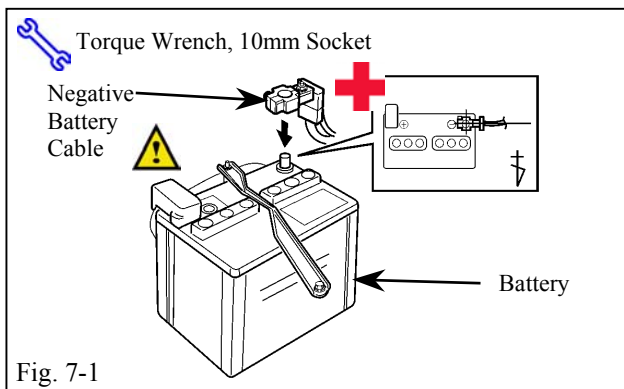
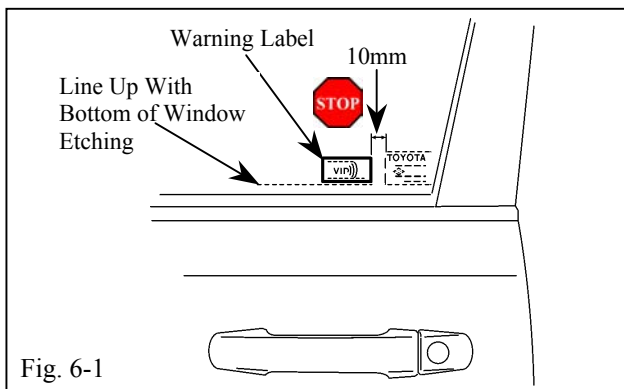
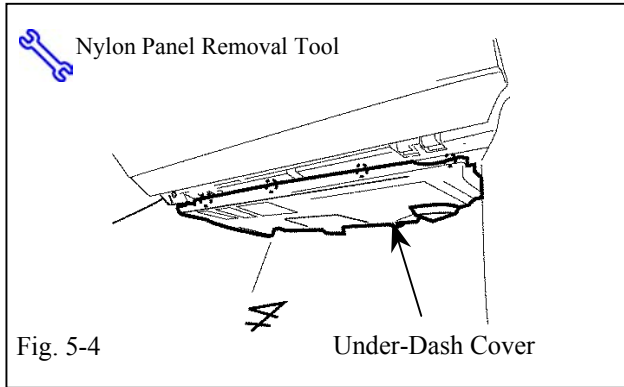
(b) Secure the microphone with one small strip of foam tape. (Fig. 5-2)

(1) Do not cover the opening of the microphone with the foam tape.

(c) Plug in the V2 harness' white 2P connector to the microphone's white 2P connector. (Fig. 5-3)



(1) Verify the connectors are plugged in securely.



- (d) Reinstall the glove box under cover. Ensure that the V2 harness does not interfere with moving parts. (Fig. 5-4)

6. Warning Label Installation.


- (a) Using household Windex, clean the inside surface of the front door windows. (Fig. 6-1)
 - (1) Use the red TVIP label, which is the GBS label.
- (b) Place the warning label on the inside surface of the front door's windows as shown. (Fig. 6-1)
- (c) Use a piece of clean adhesive tape to lift the labels off their protective backing sheet.
 - (1) Do not touch the adhesive surface of the warning labels.
- (d) Line up the labels properly and place on the glass once; do not use a label that was pulled off of the glass.



7. Completing the Installation.

- (a) Complete the reassembly of the vehicle.
 - (1) Reconnect any disconnected connectors.
 - (2) Verify the panels fit together properly with no uneven gaps between them.
 - (3) Reconnect the vehicle's negative battery cable. (Fig. 7-1)
 - (4) Position the negative battery cable at the original factory position.
 - (5) Tighten the nut to 36 in-lbf. \pm 1.5.
 - (6) Do not touch the positive terminal with any tool when replacing the cable.
- (b) Reset the power windows.



- (c) Turn the ignition key to “ON.”
- (d) Reset the power moon roof.
 - (1) Press and hold the moon roof button until the moon roof is closed. Hold for two (2) additional seconds.
-  (e) Place the owner’s manual, left in its protective bags, in the glove box.

Check:

Look For:

Accessory Function Checks

Roll up all windows, and exit the vehicle with remote.

Press and release the remote control's lock button to start the arming process.

Wait 30 seconds.

Perform the following check in a temperature-controlled environment (50°-90° F)

1. After 30 seconds, the LED starts flashing; the system is now armed.

Check:



With the tip of a key (or striker tool pulled all the way out [PPO only]), tap the center of the driver's door window to trigger the "warn away" alarm.

For all vehicles, press the unlock button of the remote key to stop the alarm.

Look For:

2. The horn sounds repeatedly.
3. The headlights flash repeatedly.
The turn signal lights flash repeatedly.
The LED lights up.

NOTE: Adjust as necessary by increasing the GBS setting to the next level if the alarm does not trigger during the functional verifications.
- NOTE:** If you do not disarm the system, the alarm will last 20 seconds. *It is not necessary to check the alarm duration.*
4. The horn stops sounding.
All the lights stop flashing and / or turn off.
The security LED turns off.

Vehicle Function Checks

- Head Lights
- High Beams
- Turn Signal Lights
- Tail Lights
- Stop Lights
- Backup Lights
- Hazard Lights
- Marker Lights
- Dome/Courtesy Lights
- Panel/Switch Illumination

- Functioning Head Lights
- Functioning High Beams
- Functioning Turn Signal Lights
- Functioning Tail Lights
- Functioning Stop Lights
- Functioning Backup Lights
- Functioning Hazard Lights
- Functioning Marker Lights
- Functioning Dome/Courtesy Lights
- Functioning Panel/Switch Illumination

TOYOTA CAMRY 2007 - TVIP V2 (GBS ADD ON)
 Checklist - these points **MUST** be checked to ensure a quality installation.

<u>Check:</u>	<u>Look For:</u>
<input type="checkbox"/> Accessory Controls/Illumination (if equipped)	Functioning Accessory
<input type="checkbox"/> Key Sensor Buzzer	Functioning Key Sensor
<input type="checkbox"/> Fog Lights (if equipped)	Functioning Fog Lights
<input type="checkbox"/> Daytime Running Lights (if equipped)	Functioning DR Lights
<input type="checkbox"/> Trunk/Tailgate/Bed Lights (if equipped)	Functioning Lights
<input type="checkbox"/> Glove Box Light (if equipped)	Functioning Glove Box Light
<input type="checkbox"/> Cruise Control Light (if equipped)	Functioning Cruise Control Light
<input type="checkbox"/> Seat Belt Warning Light	Functioning Seatbelt Warning Light. If the warning light remains on, it may indicate a system malfunction.
<input type="checkbox"/> Air Bag Warning Light	Functioning Air Bag Warning Light. If the warning light remains on, it may indicate a system malfunction.
<input type="checkbox"/> ABS Light (if equipped)	Functioning ABS Light. If the warning light remains on, it may indicate a system malfunction.
<input type="checkbox"/> Lamp Failure Sensor (if equipped)	Functioning Lamp Failure Light. If the warning light remains on, it may indicate a system malfunction.
<input type="checkbox"/> Track/Skid Control Light (if equipped)	Functional Track/VSC Light. If the warning light remains on, it may indicate a system malfunction.
<input type="checkbox"/> HVAC Controls	Functioning HVAC Controls
<input type="checkbox"/> Power Locks (if equipped)	Functioning Power Locks
<input type="checkbox"/> Power Windows (if equipped)	Functioning Power Windows
<input type="checkbox"/> Power Seats (if equipped)	Functioning Power Seats

TOYOTA CAMRY 2007 - TVIP V2 (GBS ADD ON)
 Checklist - these points **MUST** be checked to ensure a quality installation.

Check:

- Power Sunroof (if equipped)
- Horn
- Gauges
- Front Wiper/Washer
- Rear Wiper/Washer (if equipped)
- Clock (if equipped)
- Accessory Power Socket (if equipped)
- Starter
- Audio/Video (if equipped)
- Power Sliding Door (if equipped)
- Convenience Memory Settings (if equipped)
- Heated Seats (if equipped)
- Massage Seats (if equipped)
- Rear Window Defogger (if equipped)
- Power Side Mirrors (if equipped)
- Side Mirror Defogger (if equipped)
- Front Windshield Defogger (if equipped)
- Navigation System (if equipped)
- Rear Sunshade (if equipped)

Remove the appropriate fuse after checks are completed.

Look For:

- Functioning Sunroof
- Functioning Horn
- Functioning Gauges
- Functioning Front Wiper/Washer
- Functioning Rear Wiper/Washer
- Functioning Clock
- Functioning Power Socket
- Functioning Starter
- Functioning Audio/Video
- Functioning Power Sliding Door
- Functioning Memory Settings
- Functioning Heated Seats
- Functioning Massage Seats
- Functioning Rear Window Defogger
- Functioning Power Side Mirrors
- Functioning Side Mirror Defogger
- Functioning Front Windshield Defogger
- Functioning Navigation System
- Functioning Rear Sunshade