

Part Number: 08586-36822

NOTE: Part number of this accessory may not be the same as the part number shown.

Conflicts

Do not be installed in vehicles with factory Anti-theft alarm, or Vehicle without Factory Keyless Entry Systems.

Recommended Sequence of Application

Item #	Accessory	
	V5 Security	RS3200+
	Satellite Radio	

Kit Contents

Item #	Quantity	Description
1	1	Wire Harness
2	1	V5 ECU
3	1	V5 ECU Mounting Bracket
4	1	GBS ECU
5	1	GBS ECU Mounting Bracket
6	1	Microphone

Hardware Bag Contents

Item #	Quantity	Description
1	20	Wire Ties
2	1	Extra Large Wire Ties
3	1	Screw(M5 Size: For GBS ECU)
4	2	Washer
5	1	Screw (M6 Size: For V5 ECU)
6	6	Foam Tapes
7	2	Warning Labels
8	1	Owner's Manual
9	1	Warranty Card


Additional Items Required For Installation


Item #	Quantity Req'd.	Description
--------	-----------------	-------------


Recommended Tools


Personal & Vehicle Protection	Notes
Safety Glasses	
Safety Gloves	(Optional)
Vehicle Protection	Blankets, Part Boxes
Special Tools	Notes
Striker Tool (PPO only)	CAD-EIADS P/N:ALL 02-016-01
Installation Tools	Notes
Phillips Screwdriver	#2, screwdriver or tip
Phillips Offset Screwdriver	#2 screwdriver
Nylon Panel Removal Tool	e.g. Panel Pry Tool #1 Toyota SST # 00002-06001-01
Flat Blade Screwdriver	Small, Jeweler's
Socket	10mm
Deep Socket	10mm
Wrench	10mm
Side Cutters	
Pneumatic/Electric Wrench	
Torque Wrench	
OTC- Pin Removal Tool	(P/N 00002-217958)
Special Chemicals	Notes
Glass Cleaner	Household Windex


Legend

 **STOP:** Damage to the vehicle may occur. Do not proceed until process has been complied with.

 **OPERATOR SAFETY:** Use caution to avoid risk of injury.

 **CAUTION:** A process that must be carefully observed in order to reduce the risk of damage to the accessory/vehicle and to ensure a quality installation.

 **TOOLS & EQUIPMENT:** Used in Figures calls out the specific tools and equipment recommended for this process.

 **REVISION MARK:** This mark highlights a change in installation with respect to previous issue.

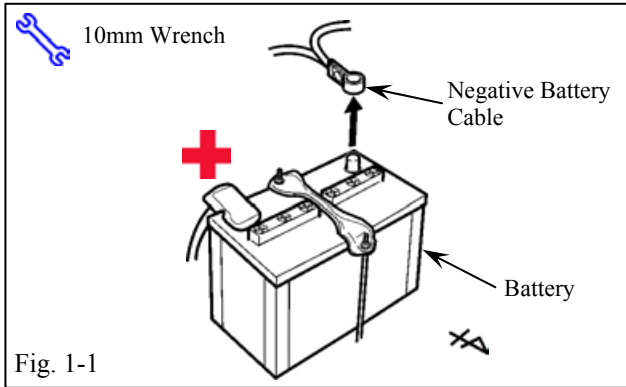
Care must be taken when installing this accessory to ensure damage does not occur to the vehicle. The installation of this accessory should follow approved guidelines to ensure a quality installation

These guidelines can be found in the "Accessory Installation Practices" document.

This document covers such items as:

- Vehicle Protection (use of covers and blankets, cleaning chemicals, etc.).
- Safety (eye protection, rechecking torque procedure, etc.).
- Vehicle Disassembly/Reassembly (panel removal, part storage, etc.).
- Electrical Component Disassembly/Reassembly (battery disconnection, connector removal, etc.).

Please see your Toyota dealer for a copy of this document



1. Vehicle Disassembly.

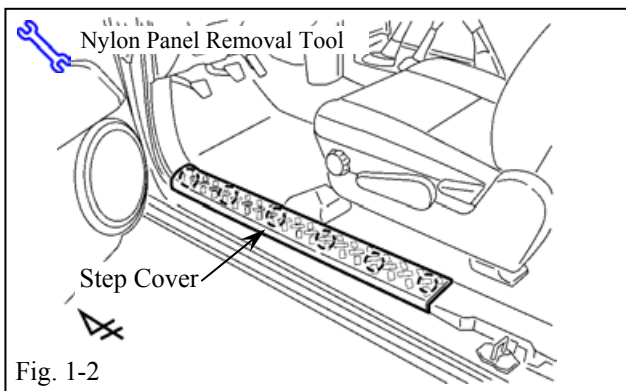
(a) Vehicles with Automatic Transmission should be placed in Low Gear and have the Parking Brake set.

(b) Remove the Negative Battery Cable. (Fig. 1-1)

(1) Protect the Fender before starting.

(2) Note the Battery Cable position, as it will be reinstalled in the same position.

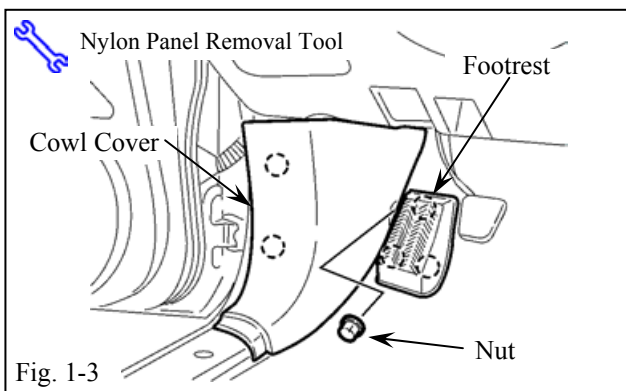
(3) Do not touch the positive terminal with any tool when removing the cable.



(c) Remove the driver side step cover. (Fig. 1-2)

(1) Open the Driver's Side Rear Door.

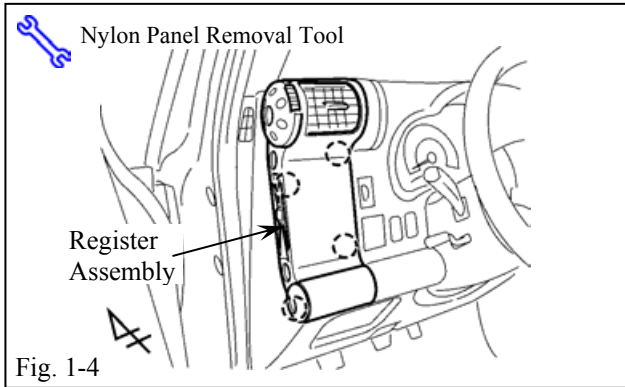
(2) Protect the Vehicle Interior with blankets.



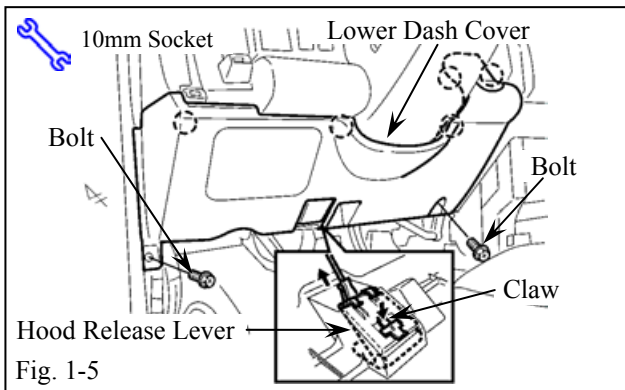
(d) Remove the Footrest. (Fig. 1-3)

(e) Remove the Driver Side Cowl Cover. (Fig. 1-3)

(1) Remove 1 nut.



(f) Remove the Register Assembly. (Fig. 1-4)

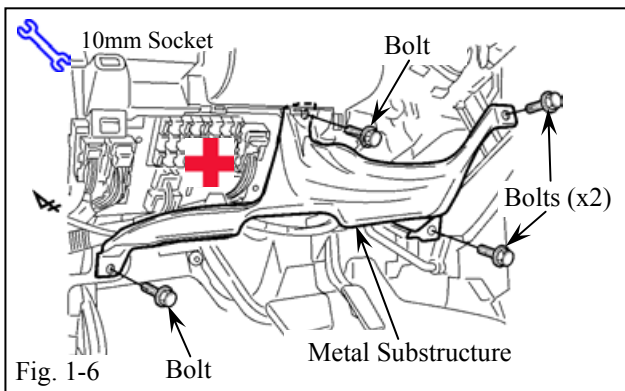


(g) Remove the Lower Dash Cover. (Fig. 1-5)

- (1) Remove 2 bolts.
- (2) Disconnect any connector from the Lower Dash Cover if equipped.

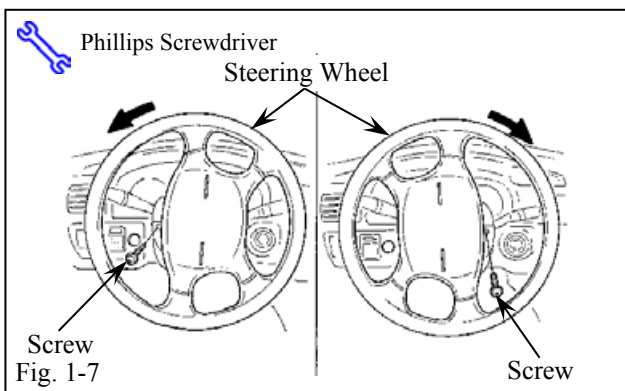
(h) Remove the Hood Release Lever. (Fig. 1-5)

- (1) Hold down the claw, and pull out to remove the Hood Release Lever.



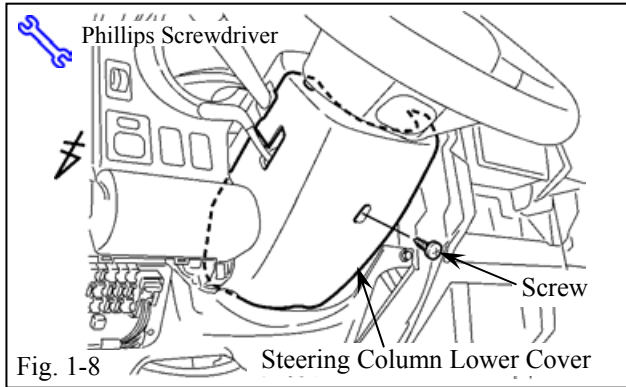
(i) Remove the Metal Substructure. (Fig. 1-6)

- (1) Remove 4 bolts.
- (2) Be careful to not get cut by the sharp metal edges.



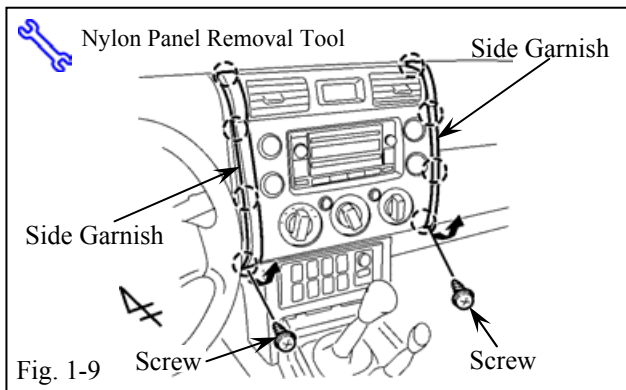
(j) Remove the 2 screws securing the Lower Steering Column Cover behind the Steering Wheel. (Fig. 1-7)

- (1) Insert the Key into the Ignition and turn it to ON.
- (2) Turn the Steering Wheel left and right to gain access to the screws.



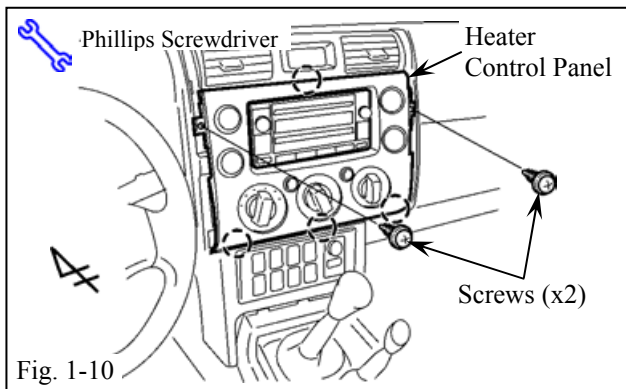
(k) Remove the Lower Steering Column Cover. (Fig. 1-8)

- (1) Remove the bottom screw.



(l) Remove both the Instrument Panel Side Garnishes on the Center Cluster Area. (Fig. 1-9)

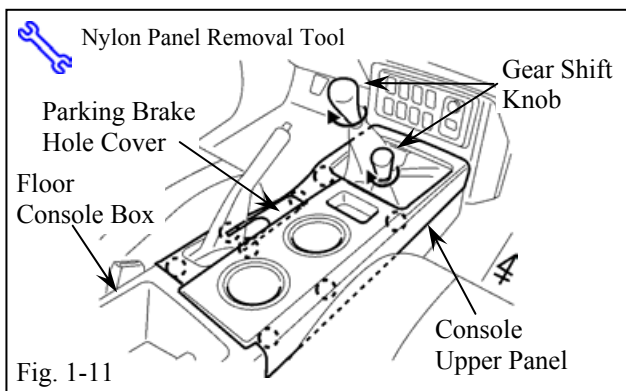
- (1) Remove 2 screws.



(m) Remove the Heater Control Panel. (Fig. 1-10)

- (1) Remove 2 screws.
- (2) Disconnect any connectors from the Heater Control Panel.

FOR MANUAL TRANSMISSION MODELS ONLY. (Step n-p)

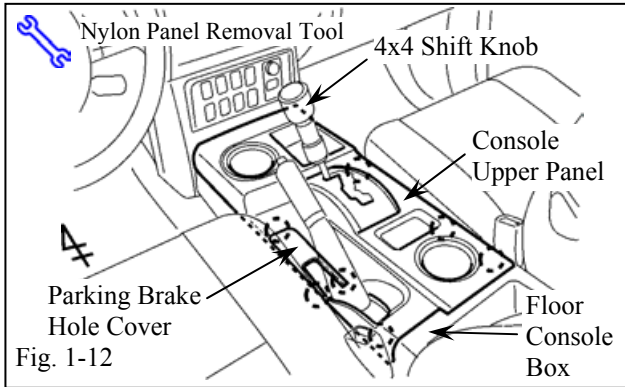


(n) Remove the 2 Gear Shift Knobs. (Fig. 1-11)

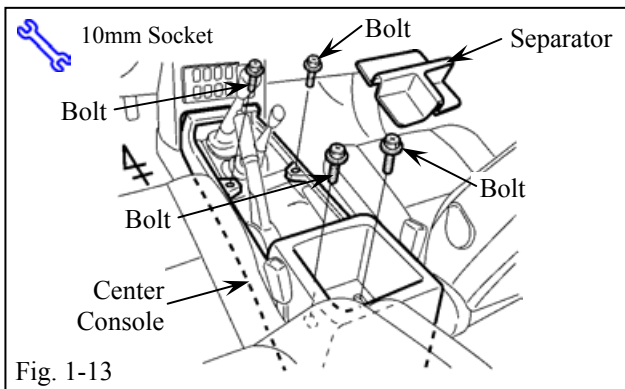
(o) Remove the Parking Brake Hole Cover from the Floor Console Box. (Fig. 1-11)

(p) Remove the Console Upper Panel. (Fig. 1-11)

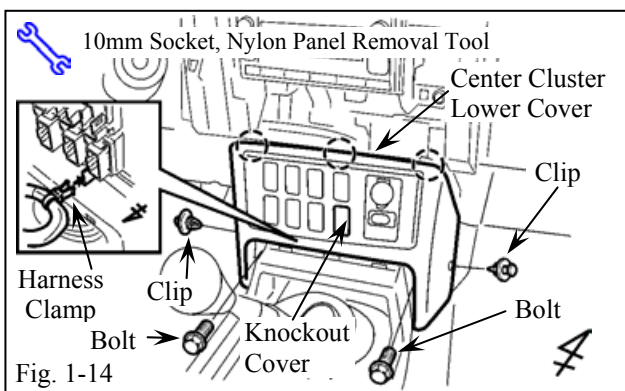
FOR AUTOMATIC TRANSMISSION MODELS ONLY. (Step q-t)



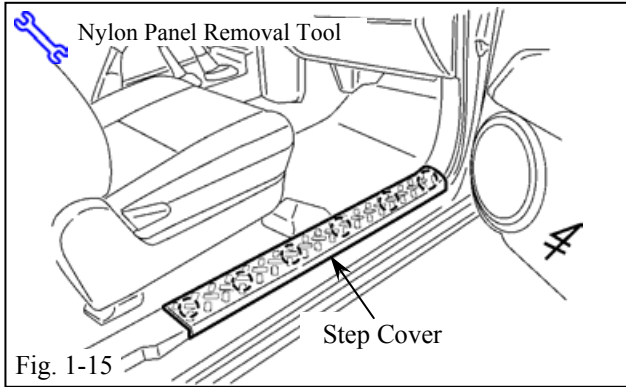
- (q) Remove 4x4 shift knob. (Fig. 1-12)
 - (1) Move Shift Lever out of Park.
- (r) Remove the Parking Brake Hole Cover from the Floor Console Box. (Fig. 1-12)
- (s) Remove the Console Upper Panel. (Fig. 1-12)
- (t) Temporarily reinstall the shift knob. (Fig. 1-12)
- (u) Move the gear shift lever into park.



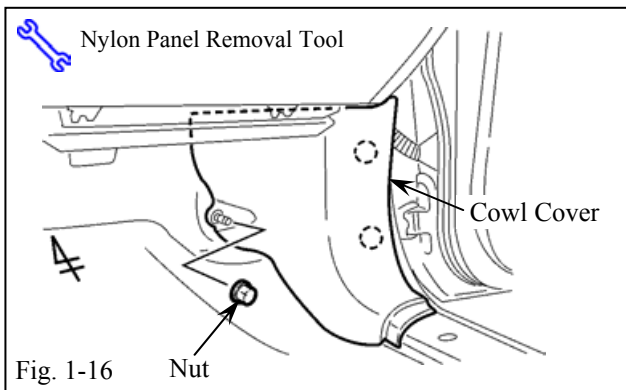
- (v) Remove the center console separator from the center console. (Fig. 1-13)
- (w) Remove 4 screws. (Fig. 1-13)
- (x) Move the Driver's Seat back, and tilt the Seat and Armrest as far back as possible. Then, slide the Center Console towards the rear of the vehicle. (Fig. 1-13)



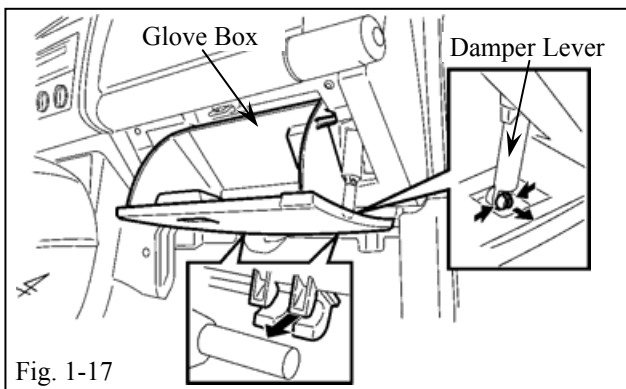
- (y) Remove the Center Cluster Lower Cover. (Fig. 1-14)
 - (1) Remove 2 bolts and 2 clips.
 - (2) Disconnect any connector from the Center Cluster Lower Cover if equipped.
 - (3) Remove the backside of the vehicle harness clamp from the center cluster lower cover.
- (z) Remove the knockout cover of the Center Cluster Lower Cover in the bottom row, 4th space from the left. (Fig. 1-14)
 - (1) Discard the knockout cover.



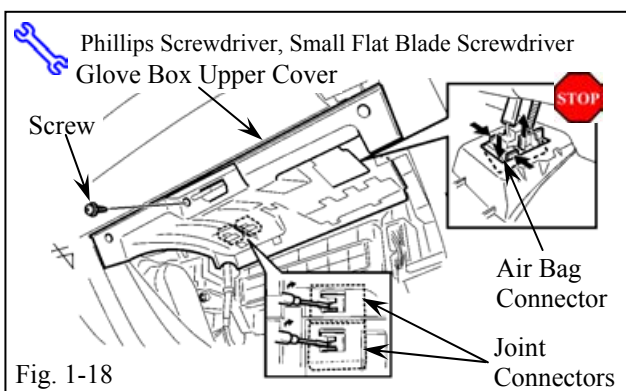
- (aa) Open the Passenger's Side Rear Door.
- (bb) Remove the Passenger's Side Step Cover. (Fig. 1-15)
 - (1) Protect the vehicle interior with blankets.



- (cc) Remove the passenger side cowl cover. (Fig. 1-16)
 - (1) Remove 1 nut.

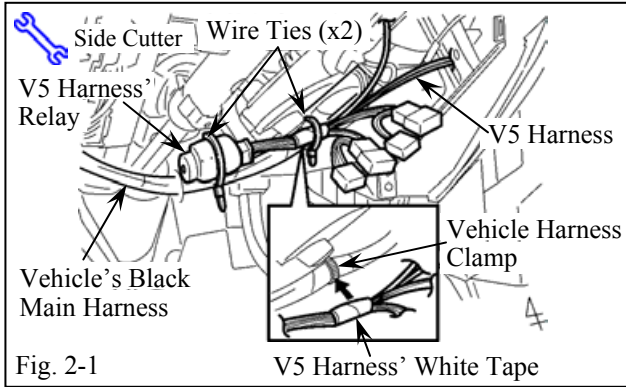


- (dd) Remove the glove box assembly. (Fig. 1-17)
 - (1) Open the glove box door, and release the damper lever.



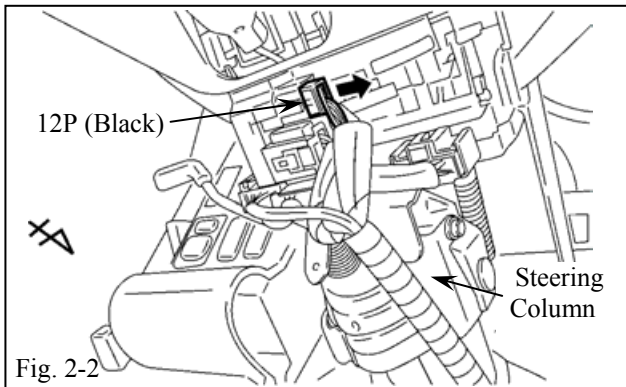
- (ee) Remove the glove box upper panel. (Fig. 1-18)
 - (1) Remove 1 screw.
- (ff) Remove the 2 Joint Connectors and Air Bag Connector (with black cover) from the Backside of the Glove Box Panel. (Fig. 1-18)
 - (1) Using a Small Flat Blade Screwdriver, release the Joint Connector Locks.
 - (2) Press in on the two clips securing the Air Bag Connector.

DO NOT DISCONNECT THE AIR BAG CONNECTOR.

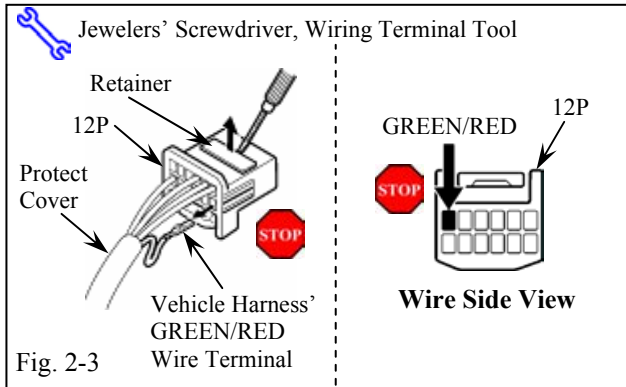


2. V5 Harness Installation.

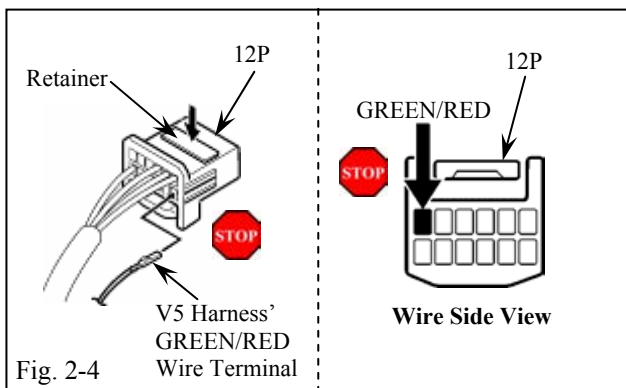
- (a) Locate the vehicle harness clamp in the steering shaft area. Use 1 Wire Tie to secure the white taped marker on the V5 harness to the vehicle harness clamp. (Fig. 2-1)
 - (1) Line up the V5 harness' white tape marker to the vehicle harness clamp.
- (b) Secure the V5 harness' Relay to the Vehicle's Black Main Harness with 1 Wire Tie. (Fig. 2-1)



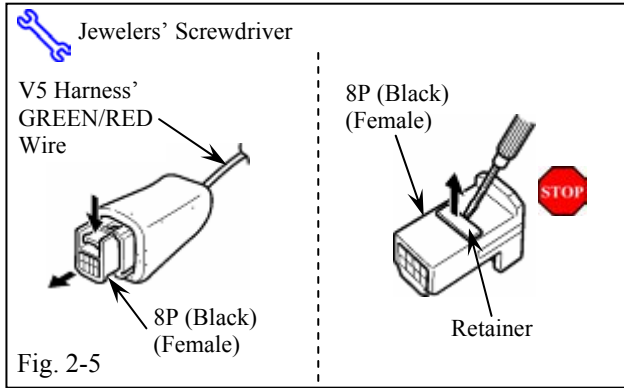
- (c) Locate and disconnect the Black 12P Connector from the Steering Column Area. (Fig. 2-2)



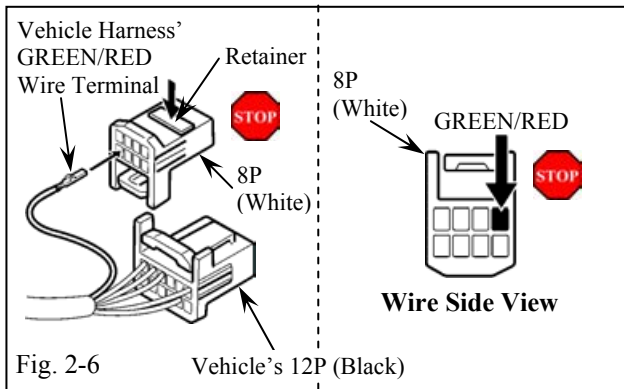
- (d) Use a Jeweler's Screwdriver to lift up the Terminal Retainer on the Black 12P Connector. (Fig. 2-3)
 - (1) Do not remove the Retainer.
- (e) Pull the protective covering away from the black 12P connector approximately 20mm. (Fig. 2-3)
- (f) Locate and remove the GREEN/RED wire using the Wiring Terminal Tool. (Fig. 2-3)
 - (1) Turn the connector so the wires face you and the tab is on top.
 - (2) Verify the correct wire is chosen.



- (g) Insert the Wire Terminal on the V5 harness's GREEN/RED wire into the Black 12P Connector. (Fig. 2-4)
 - (1) Turn the Connector so the Wire faces you and the Tab is on top.
 - (2) Verify the correct opening is chosen.
 - (3) Verify the terminal is inserted and seated properly.
 - (4) The terminal should not come out when pulled lightly from the back. If the terminal comes out push it in further until securely seated.
- (h) Close the Terminal Retainer. (Fig. 2-4)
- (i) Reinstall the 12P connector harness' protective covering.

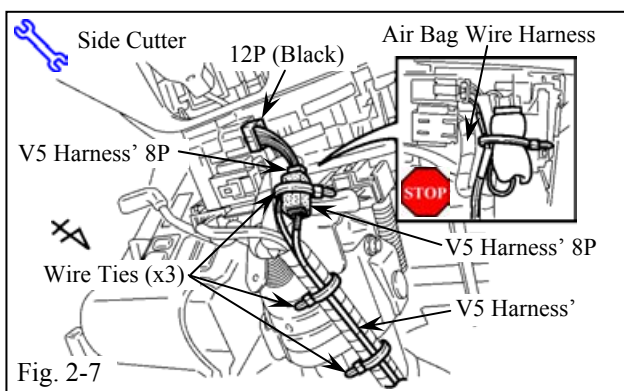


- (j) Disconnect the Empty Black 8P Female Connector from the V5 harness.
- (k) Use a Jeweler's Screwdriver to lift up the Terminal Retainer on the Connector. (Fig. 2-5)
 - (1) Do not pull out the retainer.



- (l) Insert the terminal on the vehicle harness's GREEN/RED wire into the Black 8P Female Connector. (Fig. 2-6)
 - (1) Turn the Connector so the Wire faces you and the Tab is on top.
 - (2) Verify the correct opening is chosen.
 - (3) Verify the terminal is inserted and seated properly.
 - (4) The terminal should not come out when pulled lightly from the back. If the terminal comes out push it in further until securely seated.

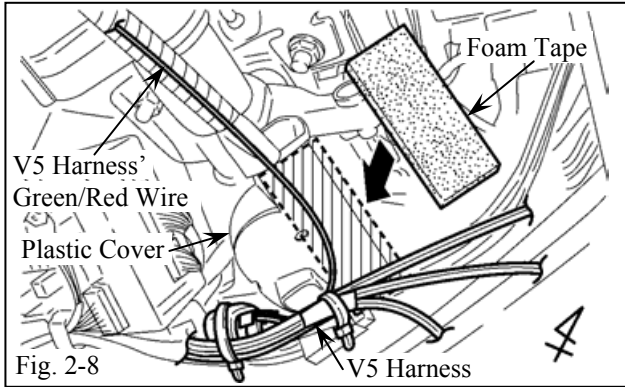
(m) Close the Terminal Retainer. (Fig. 2-6)



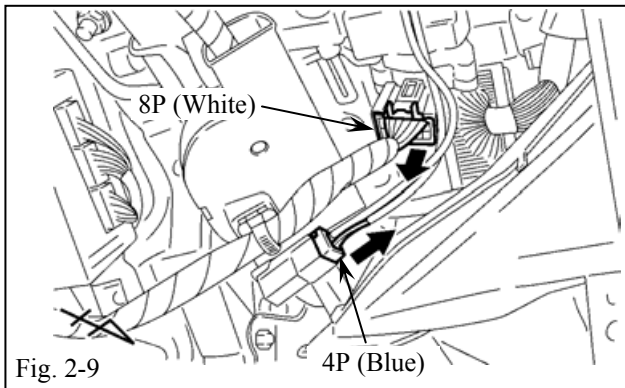
- (n) Reconnect the vehicle's black 12P Connector. Secure the 8P Connector to the Vehicle's Black Harness with 1 Wire Tie. (Fig. 2-7)

DO NOT SECURE TO THE AIR BAG YELLOW WIRES.

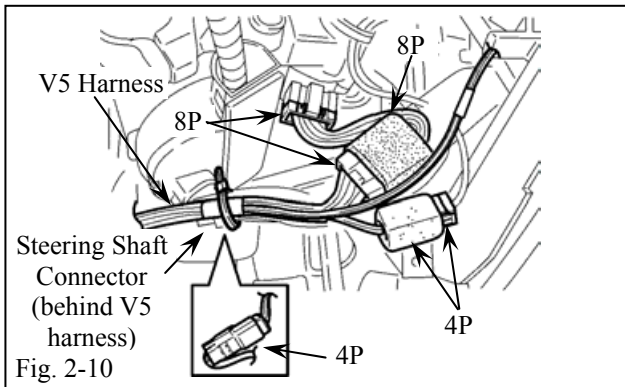
- (o) Secure the V5 Harness to the Vehicle Harness with 2 Wire Ties. (Fig. 2-7)



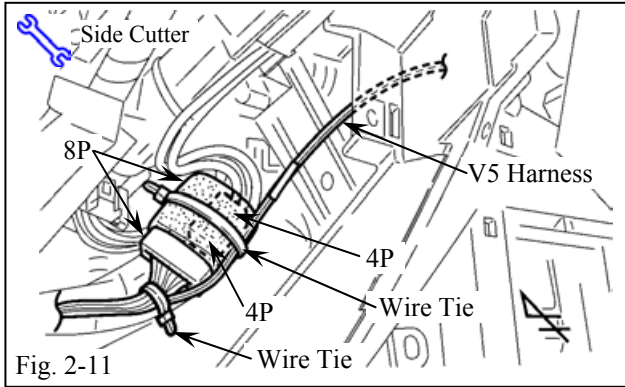
- (p) Secure the V5 Harness's GREEN/RED Wire with 1 Foam Tape to the Plastic Cover in the Steering Shaft Area. (Fig. 2-8)



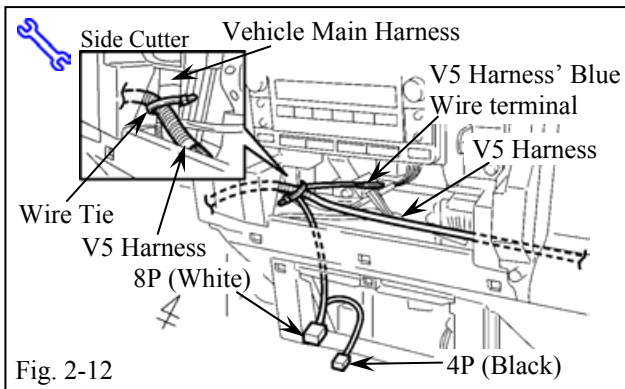
- (q) Locate and disconnect the White 8P Connector from the Ignition Switch. (Fig. 2-9)
- (r) Locate and disconnect the Blue 4P Connector from the Steering Shaft Area. (Fig. 2-9)



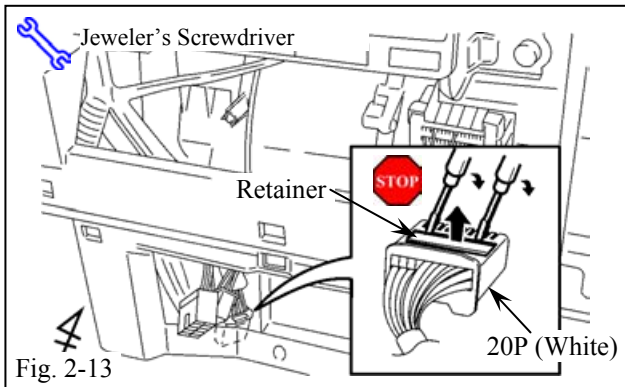
- (s) Plug in the V5 harness' White 8P Connectors between the Vehicle Harness' 8P Connector and the Ignition Switch. (Fig. 2-10)
 - (1) Verify the Connectors are plugged in securely.
- (t) Plug in the V5 harness' Blue 4P Connectors between the Vehicle Harness' Blue 4P Connector and the Steering Shaft Area Connector. (Fig. 2-10)
 - (1) Verify the connectors are plugged in securely.



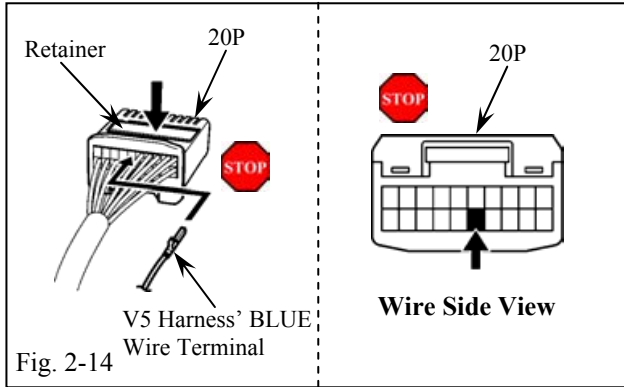
- (u) Secure the White 8P Connector and Blue 4P Connector to the V5 Harness with 1 Wire Tie. (Fig. 2-11)
- (v) Secure the V5 Harness' 8P and 4P Wires to the vehicle harness with one wire tie. (Fig. 2-11)



- (w) Route the V5 harness toward the center cluster area. Secure it to the Main Vehicle Harness with 1 Wire Tie. (Fig. 2-12)



- (x) Locate the Vehicle Harness' White 20P Connector in the Center Cluster Area. (Fig. 2-13)
- (y) Use a Jeweler's Screwdriver to lift up the Terminal Retainer on the Connector. (Fig. 2-13)
 - (1) Do not pull out the retainer.

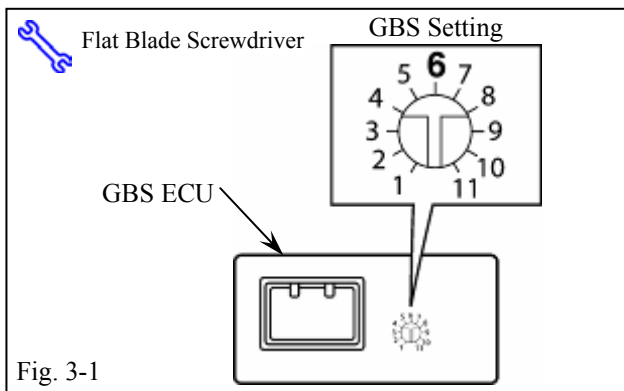


(z) Insert the Wire Terminal on the V5 harness' BLUE Wire into the 20P connector.
 (Fig. 2-14)

- (1) Turn the Connector so the Wire faces you and the Tab is on top.
- (2) Verify the correct opening is chosen.
- (3) Verify the terminal is inserted and seated properly.
- (4) The terminal should not come out when pulled lightly from the back. If the terminal comes off, then push it in further until securely seated.

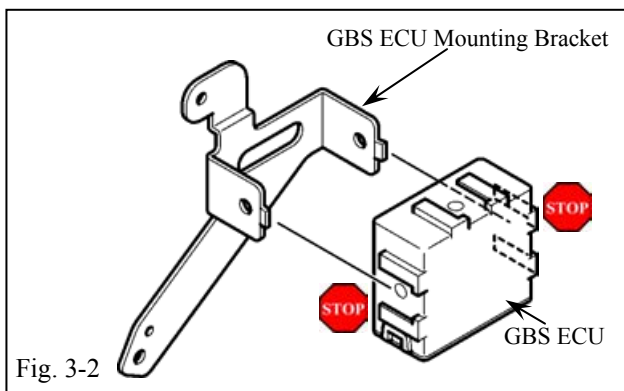


(aa) Close the Terminal Retainer



3. GBS ECU Preparation and Installation.

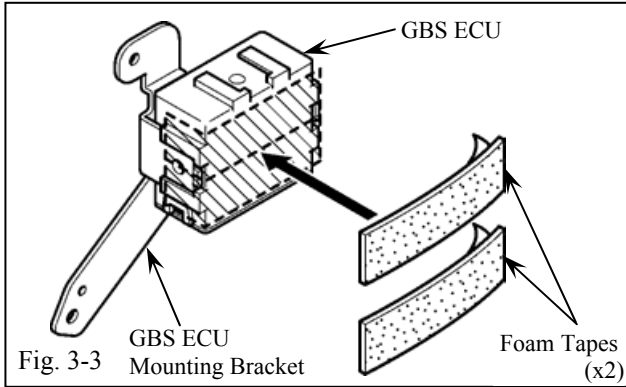
(a) Turn the GBS Adjustment Screw on the GBS ECU to the "6" position. (Fig. 3-1)



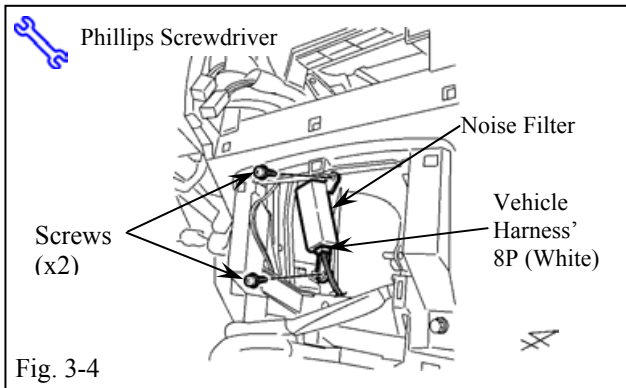
(b) Insert the GBS ECU mounting bracket into the indicated bracket slot on the GBS ECU.
 (Fig. 3-2)

- (1) Insert the mounting bracket into the correct ECU's slot.
- (2) The bracket is permanently attached once installed.
- (3) Ensure the bracket is firmly attached to the ECU.



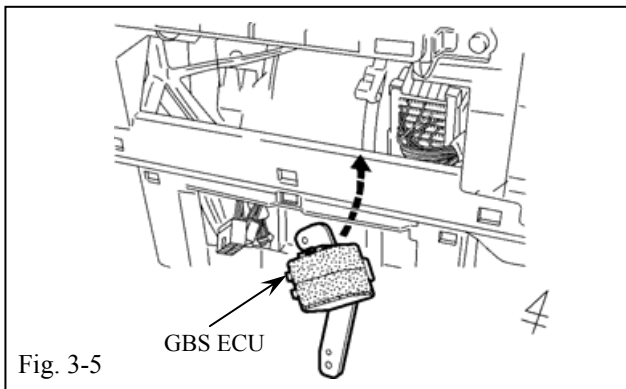


(c) Attach 2 pieces of Foam Tape onto the GBS ECU as shown. (Fig. 3-3)

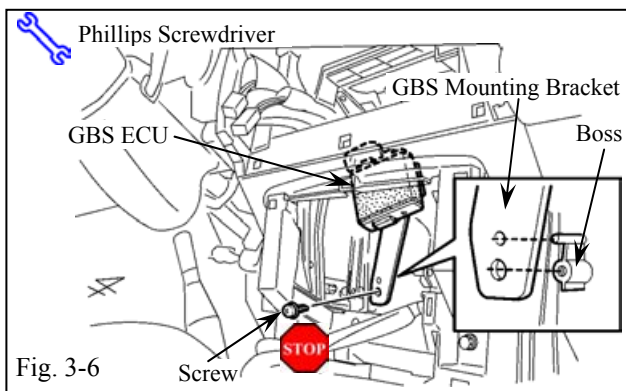


(d) Disconnect the Vehicle Harness' White 8P Connector from the Noise Filter, and remove the noise filter. (Fig. 3-4)

(1) Remove 2 screws.

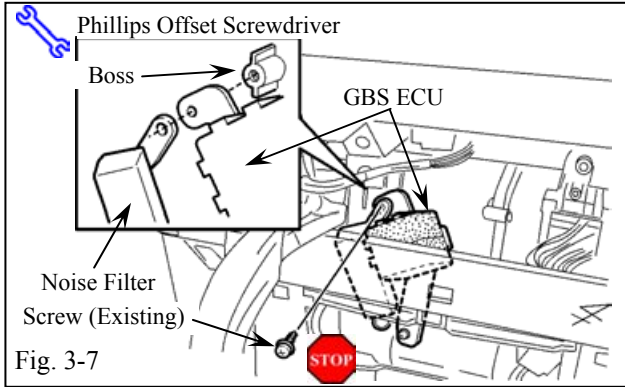


(e) Put the GBS ECU assembly through the opening at the bottom of the center cluster area. (Fig. 3-5)



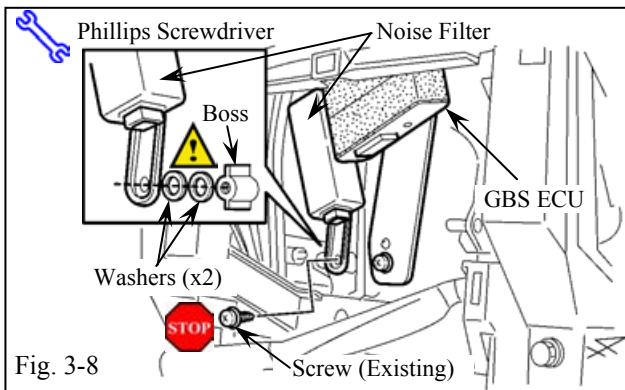
(f) Locate the Boss on the bottom of the Heater Unit, match it with the 2 bottom holes on the GBS ECU mounting bracket. Loosely install the GBS ECU with 1 screw (M5 size) supplied. (Fig. 3-6)

(1) Do not tighten the Screw yet.



(g) Locate the Boss on the Upper Part of the Heater Unit. Loosely install the GBS ECU Mounting Bracket and Noise Filter using the existing screw. (Fig. 3-7)

(1) Do not tighten the Screw yet.

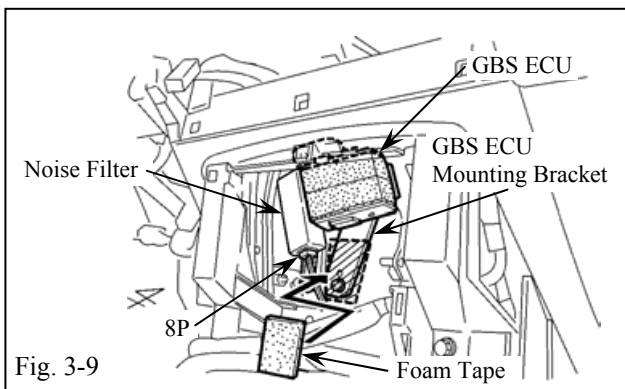


(h) Put two washers between the Noise Filter's Bracket and Boss. Secure it with Existing Screw. (Fig. 3-8)

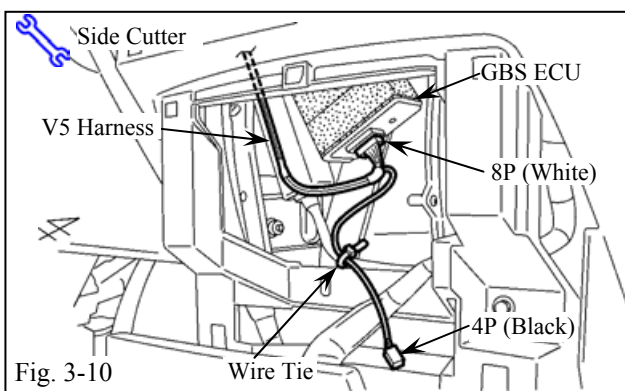
(1) Do not forget the washer, when re-install the noise filter.

(2) Verify the Screw is tightened securely.

(i) Secure the 2 GBS ECU Mounting Bracket screws. (Fig. 3-8)

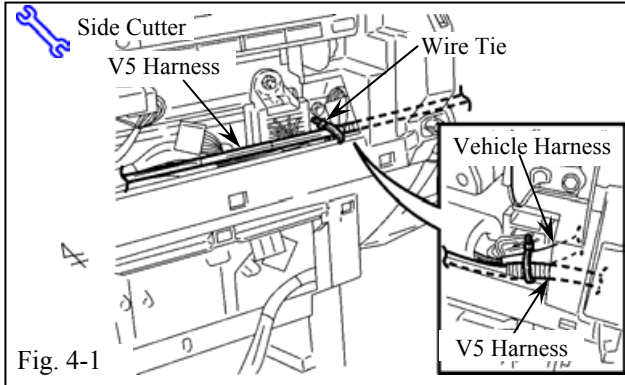


(j) Attach 1 piece of Foam Tape to the GBS ECU Mounting Bracket as shown.(Fig. 3-9)



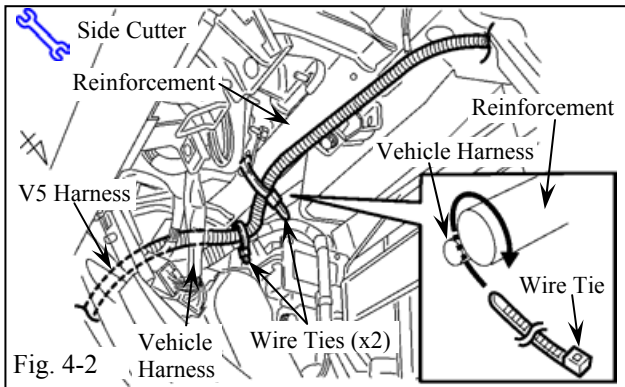
(k) Connect the V5 Harness' White 8P Connector to the GBS ECU. (Fig. 3-10)

(l) Secure the V5 Harness' Black 4P Connector Harness to the Vehicle's Noise Filter Harness with 1 Wire Tie. (Fig. 3-10)



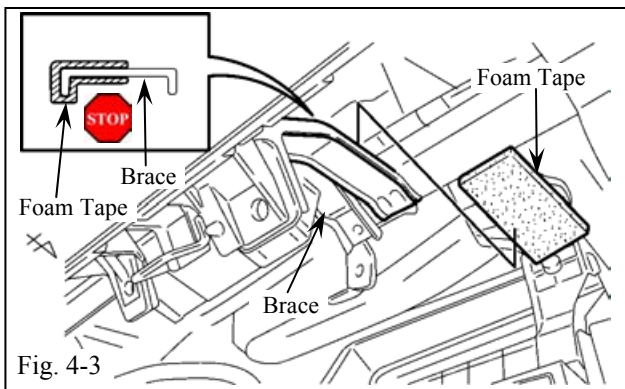
4. V5 Harness Installation (continued).

- (a) Route the V5 Harness toward the Glove Box Area. Secure it to the Vehicle Harness with 1 Wire Tie. (Fig. 4-1)



- (b) Route the V5 Harness toward to Right Side of the Glove Box Area. (Fig. 4-2)
- (c) Secure the V5 Harness to the Vehicle Harness with 1 Wire Tie. (Fig. 4-2)
- (d) Secure the V5 Harness to the Vehicle Reinforcement. (Fig. 4-2)

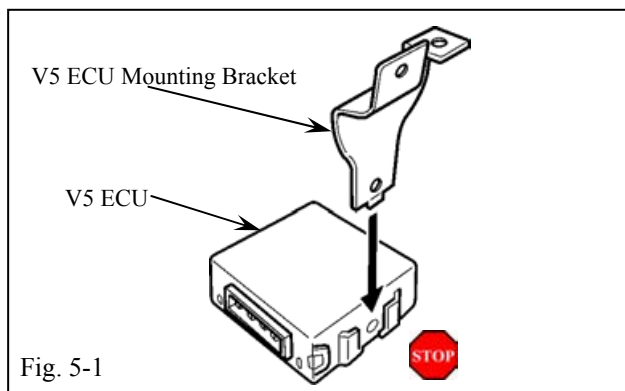
- (1) Run the wire tie between the reinforcement and the vehicle harness.



- (e) Apply 1 piece of Foam Tape to the Brace in the Upper portion of the glove box area. (Fig. 4-3)

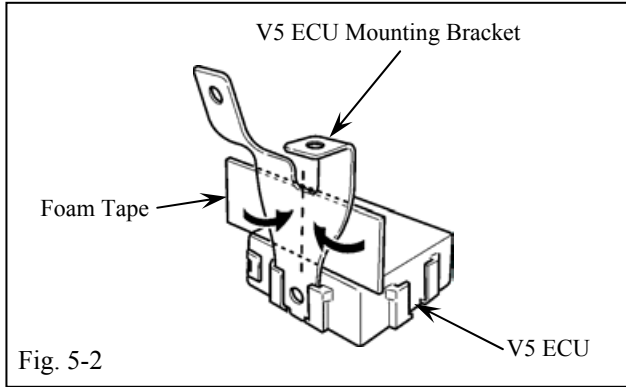
- (1) Cover the left side of the vehicle's brace with 1 piece of foam tape as shown.

5. V5 ECU Preparation and Installation.

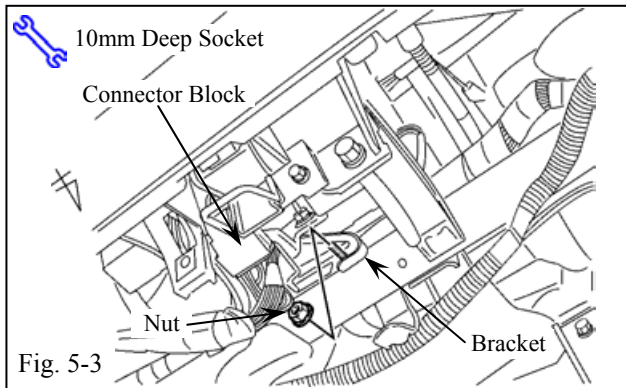


- (a) Insert the V5 ECU Mounting Bracket into the indicated bracket slot on the V5 ECU. (Fig. 5-1)

- (1) Insert the Mounting Bracket into the correct ECU slot.
- (2) The bracket is permanently attached once installed.
- (3) Ensure the Bracket is firmly attached to the ECU.

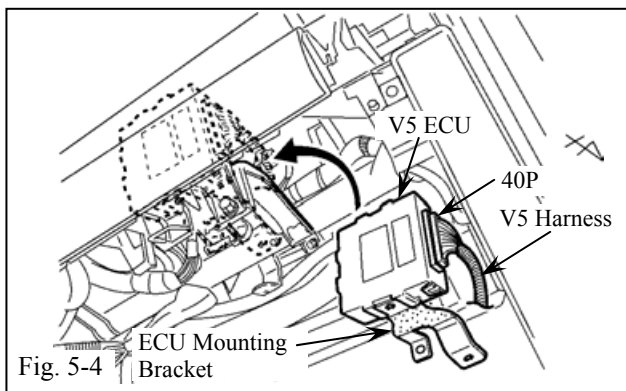


(b) Attach 1 piece of Foam Tape to the V5 ECU Mounting Bracket. Fold the Foam Tape around the Bracket as shown. (Fig. 5-2)



(c) Locate and remove the Nut securing the Connector Block, in the Glove Box Area. (Fig. 5-3)

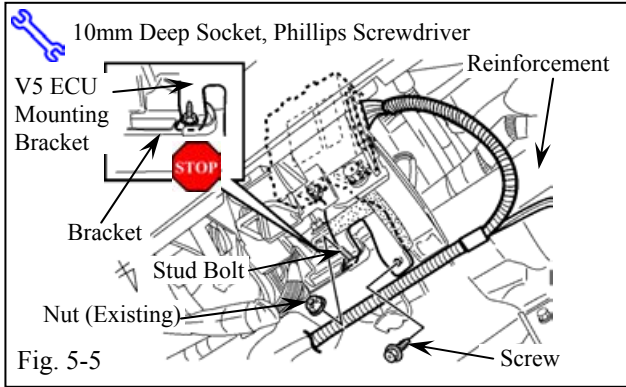
(1) Do not discard the nut.



(d) Connect the V5 Harness' White 40P Connector to the V5 ECU. (Fig. 5-4)

(1) Verify the Connector is plugged in securely.

(e) Put the V5 ECU behind the Dashboard through the opening in the Upper portion of the Glove Box area as shown. (Fig. 5-4)



(f) Position the V5 ECU Mounting Bracket onto the Vehicle Bracket's Stud Bolt as shown. Loosely install the V5 ECU Mounting Bracket with Existing Nut. (Fig. 5-5)



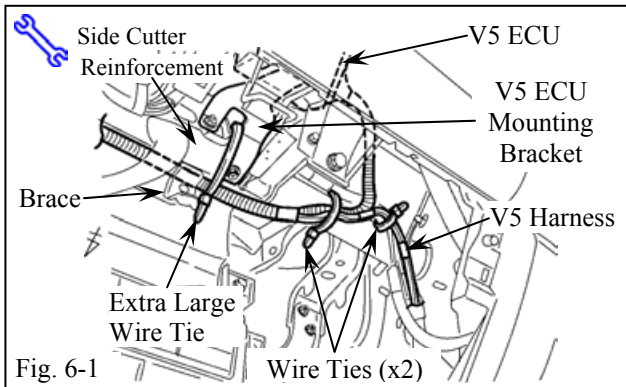
- (1) Do not tighten the nut yet.
- (2) Verify that the V5 ECU Mounting Bracket does not interfere with the Vehicle's Bracket.

(g) Secure the V5 ECU mounting bracket to the hole in the Reinforcement with 1 screw (M6 size) supplied. Tighten the Existing Nut. (Fig. 5-5)



- (1) Verify the Screw and Nut are tightened securely.

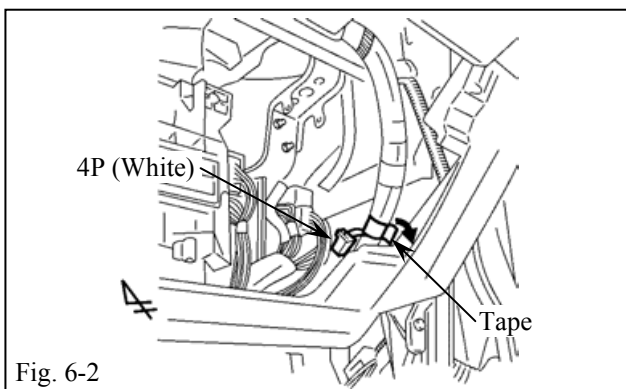
6. V5 Harness Installation (continued).



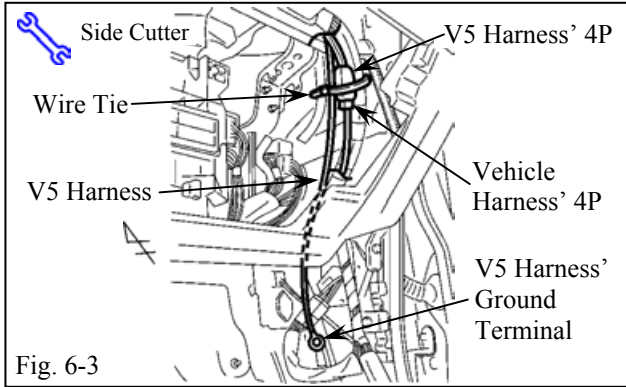
(a) Position the V5 Harness behind the Vehicle Brace in the Glove Box Area. Secure it to the Reinforcement with 1 Extra Large Wire Tie. (Fig. 6-1)

- (1) Put the Extra Large Wire Tie through the ECU Mounting Bracket opening.

(b) Route the V5 harness to the Right Side of the Glove Box Area. Secure it to the Reinforcement and Vehicle Harness with 2 Wire Ties. (Fig. 6-1)



(c) Locate and remove the Tape securing the Vehicle Harness' White 4P Connector in the Right Side of the Glove Box Area. (Fig. 6-2)

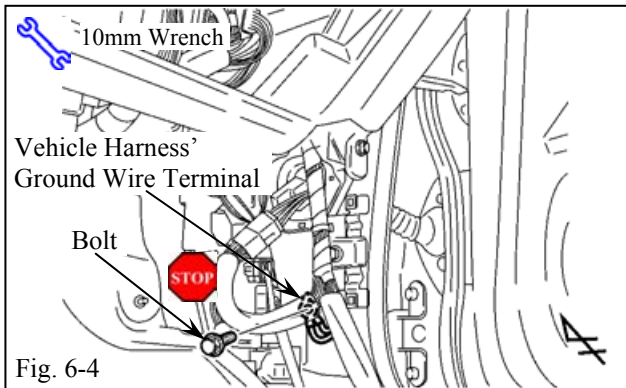


(d) Plug the V5 Harness' White 4P Connector to the Vehicle Harness' White 4P Connector. (Fig. 6-3)

(1) Verify connectors are plugged in securely.

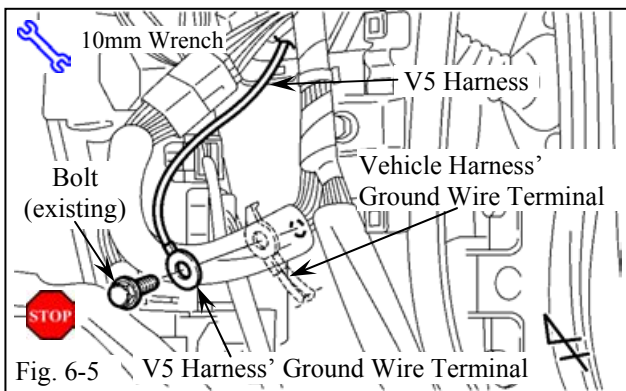
(e) Secure the 4P Connector to the Vehicle Harness with 1 Wire Tie. (Fig. 6-3)

(f) Route the V5 Harness' Ground Terminal toward the Passenger's Side Cowl Area. (Fig. 6-3)



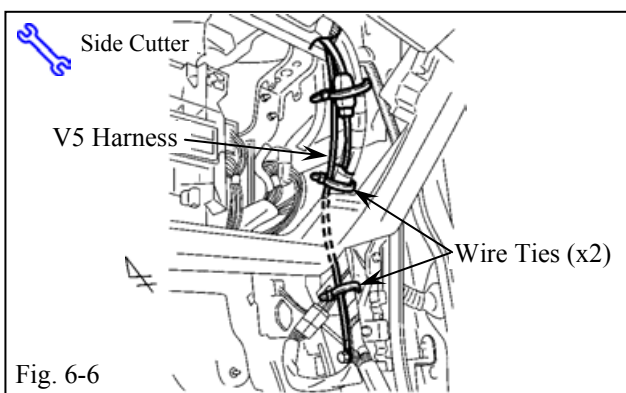
(g) Locate and remove the Bolt securing the Vehicle Ground Wire Terminal in the Passenger's Side Cowl Area. (Fig. 6-4)

(1) Do not discard the Bolt.

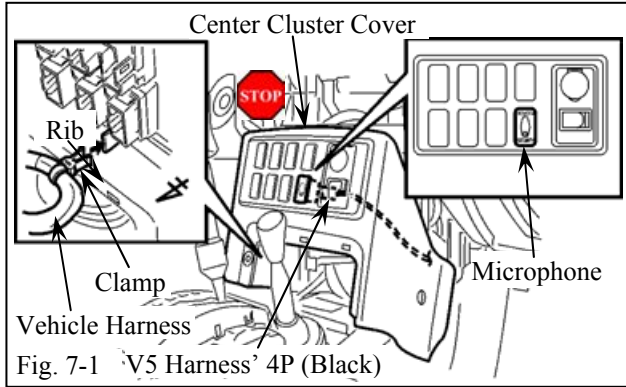


(h) Secure the V5 Harness' Ground Wire Terminal and the Vehicle Harness' Ground Wire Terminals using the Existing Bolt. (Fig. 6-5)

(1) Verify the Bolt is tightened securely.



(i) Secure the V5 Harness to the Vehicle Harness with 2 Wire Ties. (Fig. 6-6)



7. Microphone Installation.

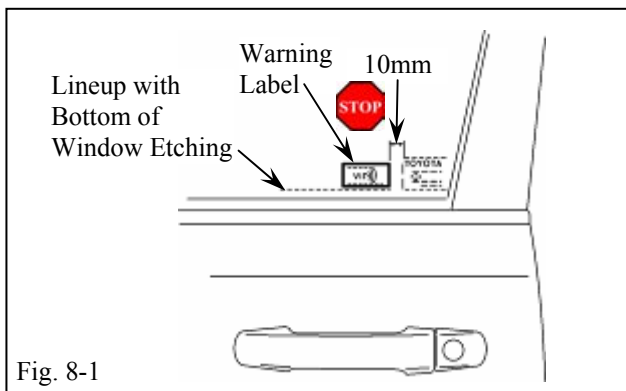
- (a) Insert the Microphone into the Knockout Opening in the Center Cluster as shown. (Fig. 7-1)
- (b) Connect the V5 Harness' Black 4P Connector to the Microphone. (Fig. 7-1)
 - (1) Verify the Connector is plugged in securely.
- (c) Reinstall the Center Cluster Cover.(Fig. 7-1)



- (1) Connect any Disconnected Connectors before installing the Panel.



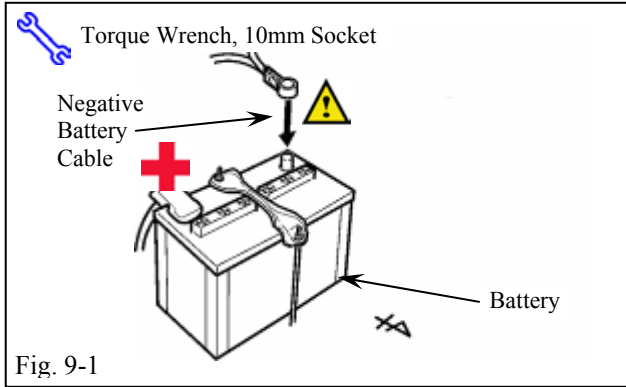
- (2) Reattach the Vehicle Harness Clamp to the Rib on the backside on the Center Cluster.



8. Warning Label Installation

- (a) Using Household Windex, clean the inside surface of the front door windows. (Fig. 8-1)
 - (1) When cleaning with Household Windex, follow the Manufacturer's Directions.
- (b) Place the Warning Label on the Inside Surface of the Front Door Windows as shown. (Fig. 8-1)
 - (1) Use a piece of Clear Adhesive Tape to lift the Labels off of their Protective Backing.
- (c) Do not touch the label's adhesive surface.





9. Completing the Installation

(a) Reassemble the Vehicle.

- (1) Reconnect any Disconnected Connectors.
- (2) Verify the Panels fit together properly with no uneven gaps between them.

(b) Clean up and remove any trash.

(c) Reconnect the vehicle's Negative Battery Cable. (Fig. 9-1)



- (1) Position the negative battery cable in the original factory position.



- (2) Tighten the nut to 36 in·lbf ±1.5.



- (3) Avoid touching the Positive Battery Terminal.

(d) Place the Owner's Manual and Warranty Card sealed in their Protective Bags, into the Glove Box.

Check:

Look For:

Accessory Function Checks

Fit the appropriate fuse before beginning.

The back door window must be closed before testing the alarm.

Press and release the remote control's lock button to start the system's arming process.

Wait 30 seconds.

Press and release the remote control's unlock button to disarm the system.

Open the driver's door, insert the key into the ignition switch and turn it to "ON." Roll down all the windows, remove the key and exit the vehicle.

Arm the system with the remote again, then wait 30 seconds.

Press and release the remote control's unlock button again to stop the arming process.

Insert the key into the driver's door key cylinder and turn it toward the front of the vehicle to start the arming process.

Wait 30 seconds.

1. The turn signal lights to flash once.
All doors to lock.

The Status Monitor's LED to lights up.

2. The LED to start flashing;
the system is now armed.

3. The turn signal lights to flash twice.
The driver's door to unlock.

The LED stops flashing.

4. The doors automatically relock.

The system automatically starts the arming process.

5. Refer to step # 3.

6. All doors lock.

The LED lights up.

7. The LED starts flashing;
the system is now armed.

Check:

- Reach inside and manually unlock the driver's door to trigger an alarm.

- Manually unlock the driver's door again and hold it unlocked, open the door, and sit in the driver's seat.

- Press and release the remote control's unlock button to disarm the system.

- With the door open, press the lock switch on the door to lock the doors, then close the door to start the system's arming process.

- Wait 30 seconds.

- Reach inside and manually unlock the front passenger's door to trigger an alarm.

- Press and release the remote control's unlock button to stop the alarm.

Look For:

- 8. The driver's door automatically relocks.
The horn sounds repeatedly.
The headlights flash repeatedly.
The turn signal lights flash repeatedly.
The LED lights up.

- 9. The driver's door lock attempts to lock repeatedly.
The horn continues to sound repeatedly.
The headlights and turn signal lights continue flashing.
The LED remains on.

- 10. The horn stops sounding.
All the lights stop flashing and/ or turn off.
The LED turns off.
The turn signal lights flash twice.
The driver's door unlocks.

- 11. All doors lock.
The LED lights up.

- 12. The LED starts flashing; the system is now armed.

- 13. The front passenger's door automatically relocks.
The horn sounds repeatedly.
The headlights flash repeatedly.
The turn signal lights flash repeatedly.
The LED lights up.

- 14. The horn stops sounding.
All the lights stop flashing.
The LED turns off.

Checklist - these points **MUST** be checked to ensure a quality installation. **RS3200PLUS w/GLASS BREAKAGE SENSOR (GBS)**


Check:

- Press and release the remote control's lock button to start the system's arming process, then wait 30 seconds until the system is armed.
- Unlock and open one of the rear passenger doors to trigger an alarm.
- Repeat the above steps with the other rear passenger door.

Roll up all windows, remove the key and exit the vehicle.

- Press and release the remote control's lock button to start the arming process.
- Wait 30 seconds.

Perform the following check in a temperature-controlled environment. (50°-90° F)

-  With the tip of a key (or Striker Tool pulled all the way out (PPO only)), tap the center of the driver's door window to trigger the "warn away" alarm.

Look For:

- 15. Refer to step #1 and #2.
- 16. Refer to step #13.
- 17. Refer to step #15 and #16.
- 18. Refer to step 1.
- 19. After 30 seconds, the LED starts flashing; the system is now armed.
- 20. The horn sounds repeatedly.
The headlights flash repeatedly.
The turn signal lights flash repeatedly.
The LED lights up.

NOTE: Adjust as necessary by increasing the GBS setting to the next level if the alarm does not trigger during functional verifications.

NOTE: If you do not disarm the system, the alarm will last 20 seconds. *It is not necessary to check the alarm duration*

Checklist - these points **MUST** be checked to ensure a quality installation. **RS3200PLUS w/GLASS BREAKAGE SENSOR (GBS)**

<u>Check:</u>	<u>Look For:</u>
<input type="checkbox"/> Insert the key into the driver's door key cylinder and turn it toward the back of the vehicle to stop the alarm.	21. The horn stops sounding. All the lights stop flashing and/ or turn off. The security LED turns off.
<hr/>	
<p><u>Vehicle Function Checks</u></p> <input type="checkbox"/> Head Lights <input type="checkbox"/> High Beams <input type="checkbox"/> Turn Signal Lights <input type="checkbox"/> Tail Lights <input type="checkbox"/> Stop Lights <input type="checkbox"/> Backup Lights <input type="checkbox"/> Hazard Lights <input type="checkbox"/> Marker Lights <input type="checkbox"/> Dome/Courtesy Lights <input type="checkbox"/> Panel/Switch Illumination <input type="checkbox"/> Accessory Controls/Illumination (if equipped) <input type="checkbox"/> Key Sensor Buzzer <input type="checkbox"/> Fog Lights (if equipped) <input type="checkbox"/> Daytime Running Lights (if equipped) <input type="checkbox"/> Trunk/Tailgate/Bed Lights (if equipped) <input type="checkbox"/> Glove Box Light (if equipped) <input type="checkbox"/> Cruise Control Light (if equipped) <input type="checkbox"/> Seat Belt Warning Light	Functioning Head Lights Functioning High Beams Functioning Turn Signal Lights Functioning Tail Lights Functioning Stop Lights Functioning Backup Lights Functioning Hazard Lights Functioning Marker Lights Functioning Dome/Courtesy Lights Functioning Controls/Illumination Functioning Accessory Functioning Key Sensor Functioning Fog Lights Functioning DR Lights Functioning Lights Functioning Glove Box Light Functioning Cruise Control Light Functioning Seatbelt Warning Light. If the warning light remains "ON," it may indicate a system malfunction.

Checklist - these points **MUST** be checked to ensure a quality installation. **RS3200PLUS w/GLASS BREAKAGE SENSOR (GBS)**

Check:

- Air Bag Warning Light

- ABS Light (if equipped)

- Lamp Failure Sensor (if equipped)

- Track/Skid Control Light (if equipped)

- HVAC
- Power Locks (if equipped)
- Power Windows (if equipped)
- Power Seats (if equipped)
- Power Sunroof (if equipped)
- Horn
- Gauges
- Front Wiper/Washer
- Rear Wiper/Washer (if equipped)
- Clock (if equipped)
- Accessory Power Socket (if equipped)
- Starter
- Audio/Video (if equipped)
- Power Sliding Door (if equipped)

Look For:

- Functioning Air Bag Warning Light. If the warning light remains "ON," it may indicate a system malfunction.

- Functioning ABS Light. If the warning light remains "ON," it may indicate a system malfunction.

- Functioning Lamp Failure Light. If the warning light remains "ON," it may indicate a system malfunction.

- Functional Track/VSC Light. If the warning light remains "ON," it may indicate a system malfunction.

- All HVAC Controls Function

- Functioning Power Locks

- Functioning Power Windows

- Functioning Power Seats

- Functioning Sunroof

- Functioning Horn

- Functioning Gauges

- Functioning Front Wiper/Washer

- Functioning Rear Wiper/Washer

- Functioning Clock

- Functioning Power Socket

- Functioning Starter

- Functioning Audio/Video

- Functioning Power Sliding Door

Checklist - these points **MUST** be checked to ensure a quality installation. **RS3200PLUS w/GLASS BREAKAGE SENSOR (GBS)**

Check:

- Convenience Memory Settings (if equipped)
- Heated Seats (if equipped)
- Massage Seats (if equipped)
- Rear Window Defogger (if equipped)
- Power Side Mirrors (if equipped)
- Side Mirror Defogger (if equipped)
- Front Windshield Defogger (if equipped)
- Navigation System (if equipped)
- Power Back Door (if equipped)
- Audio Steering Wheel Controls (if equipped)
- Steering Column Tilt

Remove the appropriate fuse after checks are completed.

Look For:

- Functioning Memory Settings
- Functioning Heated Seats
- Functioning Massage Seats
- Functioning Rear Window Defogger
- Functioning Power Side Mirrors
- Functioning Side Mirror Defogger
- Functioning Front Windshield Defogger
- Functioning Navigation System
- Functioning Power Back Door
- Functioning Audio Steering Wheel Controls
- Functioning Steering Column Tilt