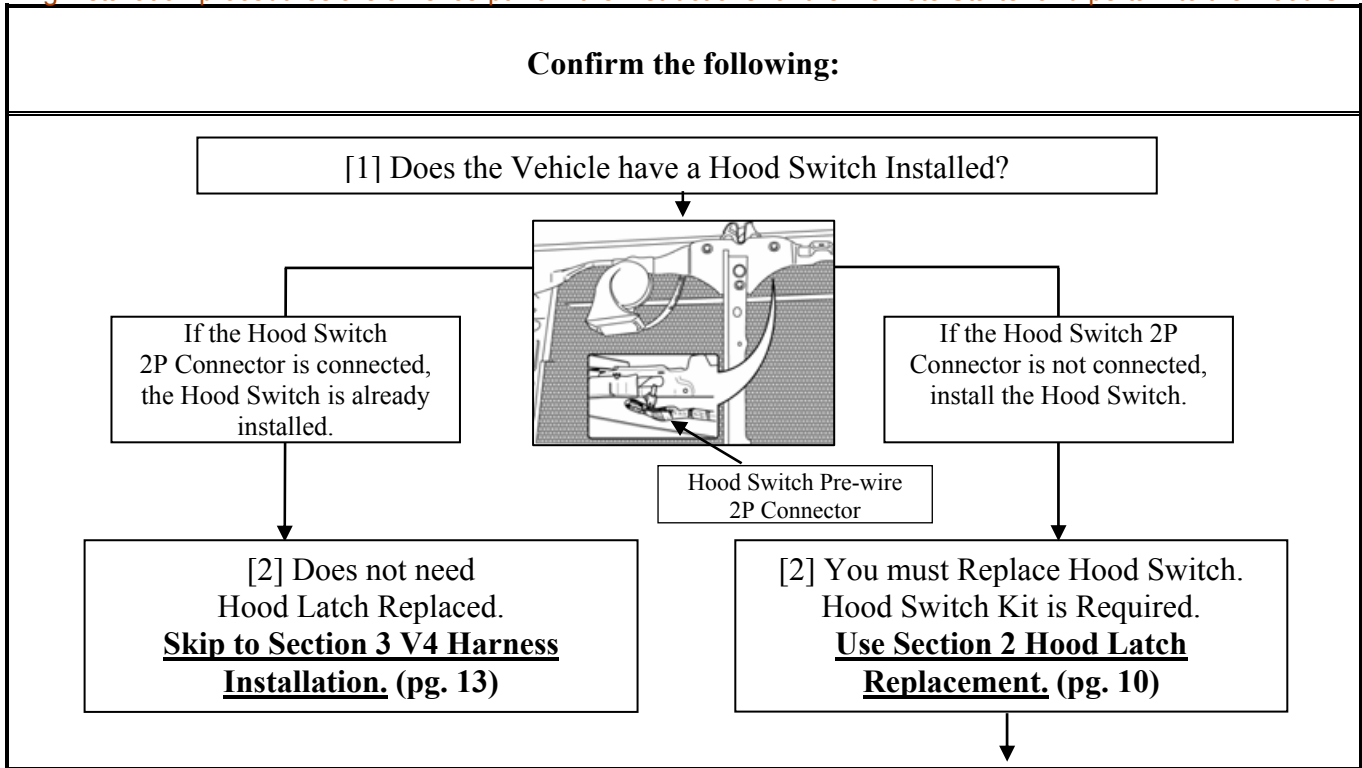
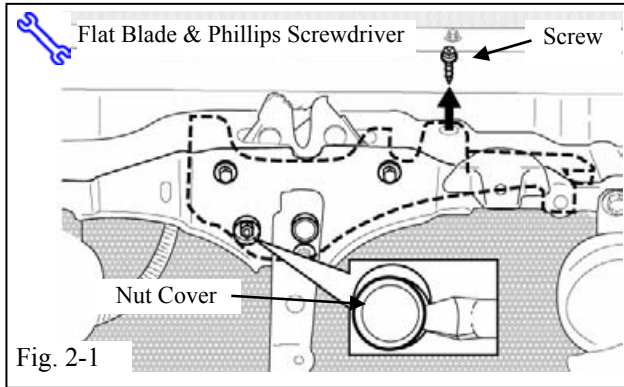


The following installation procedures are an excerpt from the instructions for the Remote Starter and pertain to the Hood Switch only.

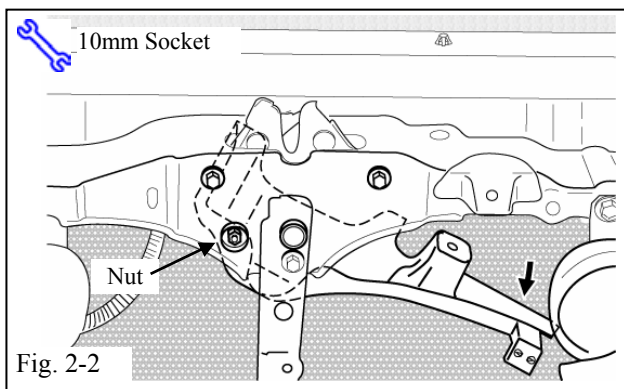


2. **Hood Latch Replacement (steps a-o)**



(a) Loosen the Plastic Cover from the Hood Latch Unit. (Fig. 2-1)

- (1) Remove 1 Screw from the Top.
- (2) Remove the Nut Cover.
- (3) Discard the Nut Cover.

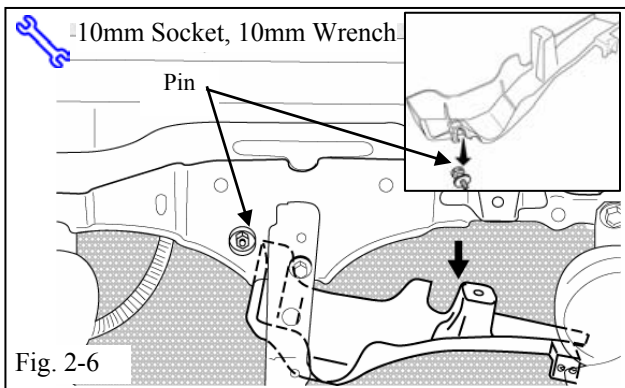
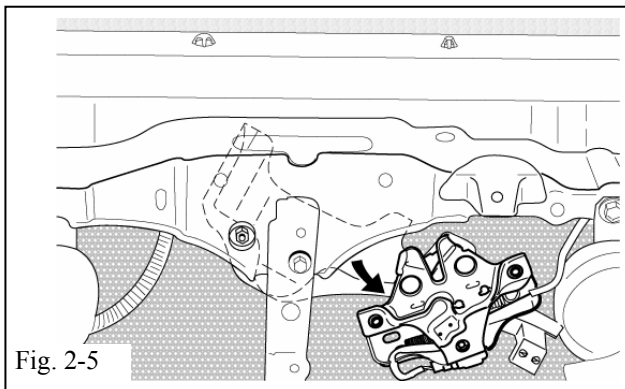
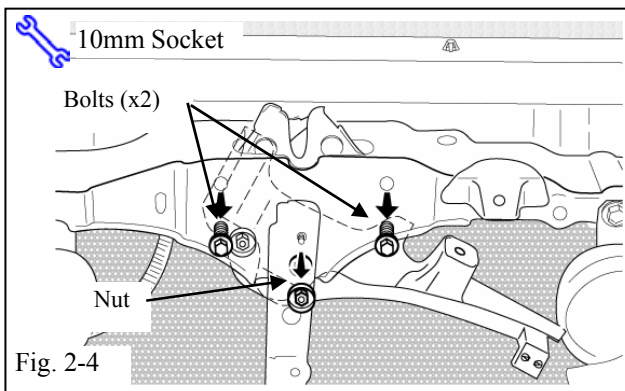
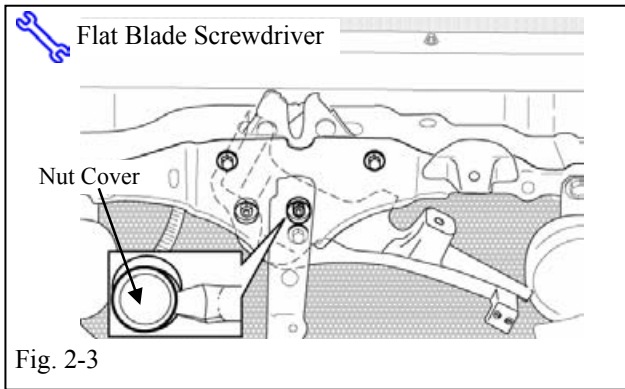


(b) Angle the Plastic Cover downward. (Fig. 2-2)

- (1) Loosen 1 Nut.

CONTINUED

The following installation procedures are an excerpt from the instructions for the Remote Starter and pertain to the Hood Switch only.



(c) Remove 1 Nut Cover. (Fig 2-3)

(1) Discard the Nut Cover.

(d) Remove the 2 Bolts and 1 Nut from the Hood Latch. (Fig 2-4)

(e) Slide the Hood Latch out. (Fig. 2-5)

(f) Remove the Plastic Cover. (Fig. 2-6)

(1) Push the Cover up to release it from the Pin.

(g) Remove the Pin. (Fig. 2-6)

**CONTINUED**

The following installation procedures are an excerpt from the instructions for the Remote Starter and pertain to the Hood Switch only.

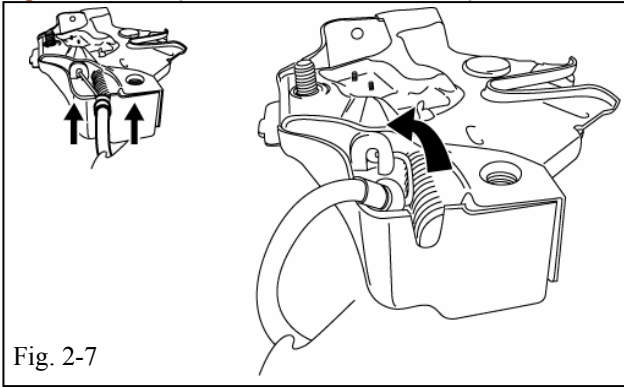


Fig. 2-7

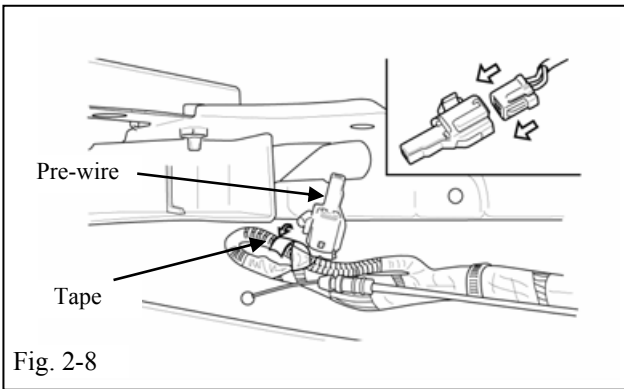


Fig. 2-8

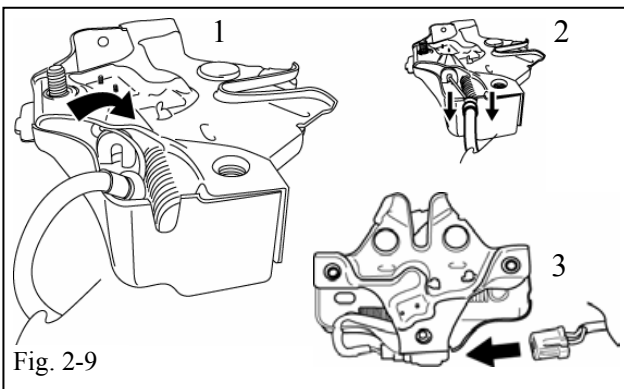


Fig. 2-9

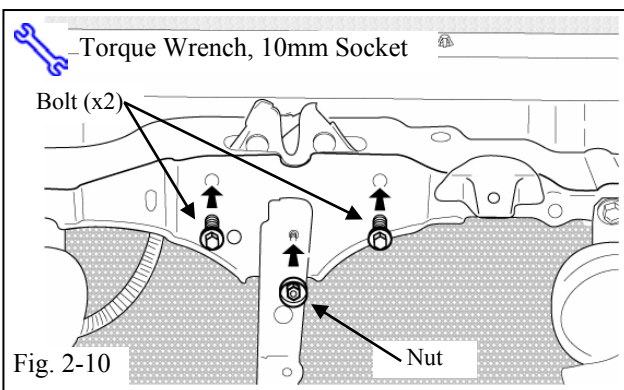
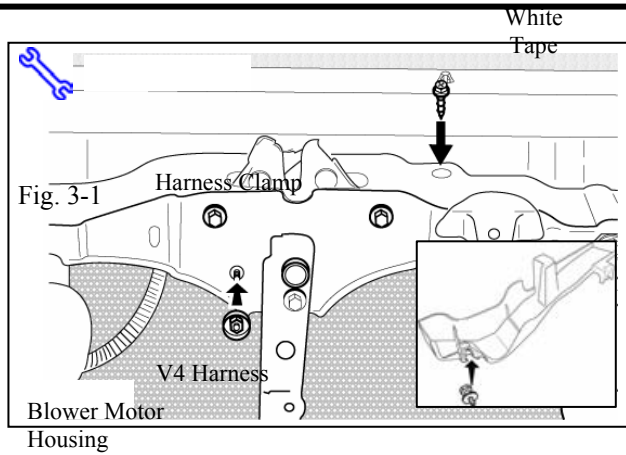


Fig. 2-10

- (h) Disconnect the Vehicle Hood Latch from the Hood Latch Cable. (Fig. 2-7)
  - (1) Pull the Cable upwards and out of the notch in the Vehicle Hood Latch Casing.
  - (2) Use the Braided Cable to guide the Ball out of the Vehicle Hood Latch.
  - (3) Discard the Vehicle Hood Latch.
  
- (i) Locate the Hood Switch Pre-wire, Black 2P Connector, and remove the tape securing it. (Fig. 2-8)
- (j) Remove the Connector Cover from the Hood Switch Pre-wire. (Fig. 2-8)
  - (1) Discard the Connector Cover.
  
- (k) Connect the V4 Hood Latch to the Vehicle Hood Latch Cable. (Fig. 2-9)
  - (1) Use the Braided Cable to guide the Ball into the V4 Hood Latch Lever.
  - (2) Affix the Cables Shielding to the V4 Hood Latch Case by pressing it down into the Notch in the Case.
- (l) Connect the Black 2P Hood Switch Pre-wire to the V4 Hood Latch. (Fig. 2-9)
  - (1) Verify that the connector is secure.
  
- (m) Install the V4 Hood Latch. (Fig. 2-10)
  - (1) Tighten the Nut and Bolts to 71 in•lbf ± 25. (8.02 n•m ± 2.82)
  - (2) Replace the Nut Cover with 1 Nut Cover supplied in the kit.

**CONTINUED**



- (n) Insert the Pin into the plastic cover.  
(Fig. 2-11)
- (o) Reinstall the Plastic Cover. (Fig. 2-11)
  - (1) Replace the Nut Cover with 1 Nut Cover supplied in the kit.