

Part Number: 08545-00930

Kit Contents

Item #	Quantity Reqd.	Description
1	1	Navigation System
2	1	GPS Antenna
3	1	Wire Harness
4	1	DVD-ROM
5	1	Owner's Manual

Hardware Bag Contents

Item #	Quantity Reqd.	Description
1	1	Earth Plate
2	2	Cord Clamp
3	5	Wire Tie
4	3	Foam Tape
5	1	Protection Sheet
6	8	Bolt(M5×8)
7	1	Adhesive Tape

Part Number: PT611-21080

Kit Contents

Item #	Quantity Reqd.	Description
1	1	Bracket LH
2	1	Bracket RH
3	1	Bezel

Additional Items Required For Installation

Item #	Quantity Reqd.	Description

Conflicts

None

Recommended Tools

Personal & Vehicle Protection	Notes
Vehicle protection	Masking tape, Vinyl tape, Protective sheet
Special Tools	Notes
None	
Installation Tools	Notes
Panel Clip Removal Tool	e.g. Toyota SST P/N:- 00002-06002-01
Wrench	Open End, 10mm
Socket	10mm, 10mm (Deep)
Extension	
Ratchet	
Screwdriver	Phillips
Torque Wrench	36 lbf · in

NOTE: Part number of this accessory may not be the same as the part number shown.

Pliers	
Scissors	
Nipper	
Special Chemicals	Notes
None	

General Applicability

--

Recommended Sequence of Application






Item #	Accessory
1	Navigation System
2	Satellite Radio
3	Subwoofer
4	Interior lights

*Mandatory

Vehicle Service Parts (may be required for reassembly)

Item #	Quantity Reqd.	Description

Legend

	STOP: Damage to the vehicle may occur. Do not proceed until process has been complied with.
	OPERATOR SAFETY: Use caution to avoid risk of injury.
	CAUTION: A process that must be carefully observed in order to reduce the risk of damage to the accessory/vehicle and to ensure a quality installation.
	TOOLS & EQUIPMENT: Used in Figures calls out the specific tools and equipment recommended for this process.
	REVISION MARK: This mark highlights a change in installation with respect to previous issue.

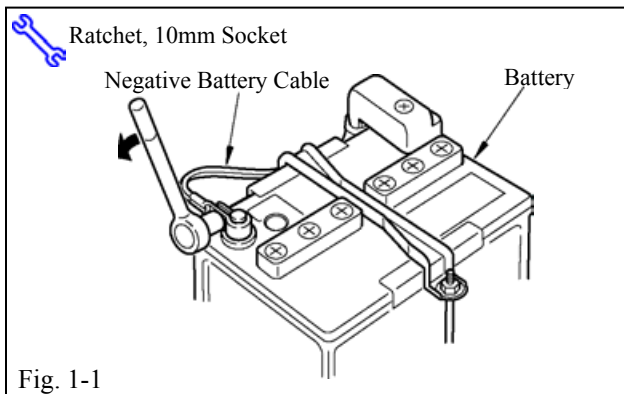
Care must be taken when installing this accessory to ensure damage does not occur to the vehicle. The installation of this accessory should follow approved guidelines to ensure a quality installation.

These guidelines can be found in the "Accessory Installation Practices" document.

This document covers such items as:-

- Vehicle Protection (use of covers and blankets, cleaning chemicals, etc.).
- Safety (eye protection, rechecking torque procedure, etc.).
- Vehicle Disassembly/Reassembly (panel removal, part storage, etc.).
- Electrical Component Disassembly/Reassembly (battery disconnection, connector removal, etc.).

Please see your Toyota dealer for a copy of this document.



1. Vehicle Protection

(a) Remove the negative battery cable (Fig. 1-1).



(1) Protect the fender before starting.

(2) Do not touch the positive terminal with any tool when removing cable.

2. Disassembly of Vehicle



NOTE: Place all removed parts on a protected surface.



NOTE: When disconnecting wiring connectors do NOT pull on the wiring, pull on the connector only.



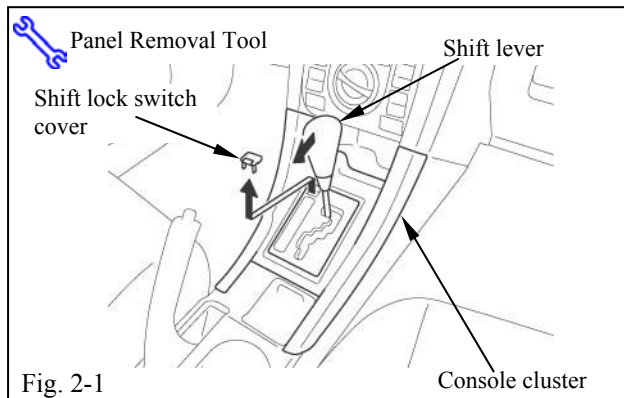
NOTE: Engage the parking brake while working.

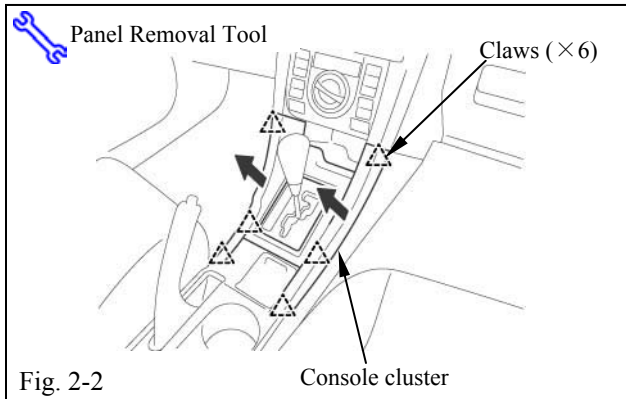
For Automatic Transmission Model Only

(a) Remove the console cluster.

(1) Remove the shift lock switch cover.
(Fig. 2-1).

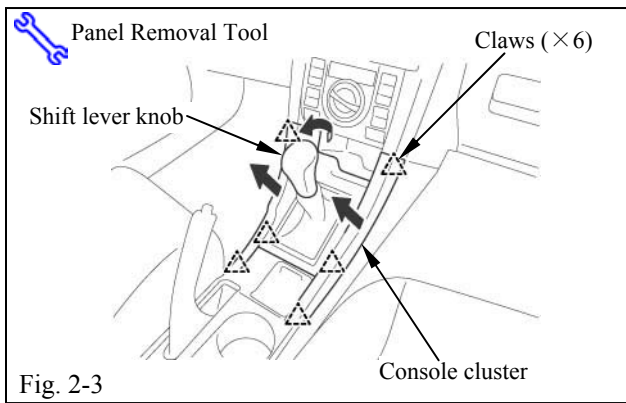
(2) Move the shift lever to the N position while pressing the shift lock switch
(Fig. 2-1).





(3) Disengage the 6 claws and remove the console cluster (Fig. 2-2).

(4) Disconnect the connectors (Fig. 2-2).



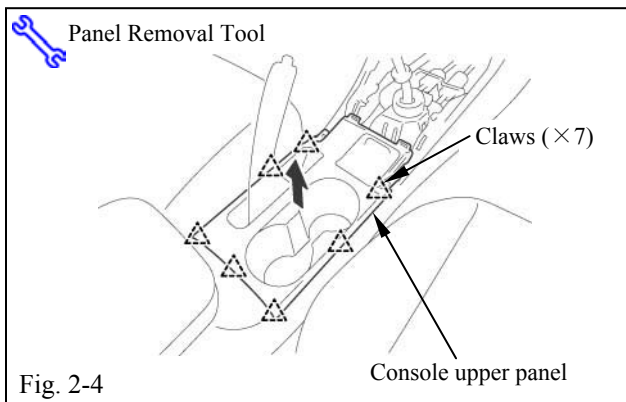
For Manual Transmission Model Only

(b) Remove the console cluster.

(1) Remove the shift lever knob (Fig. 2-3).

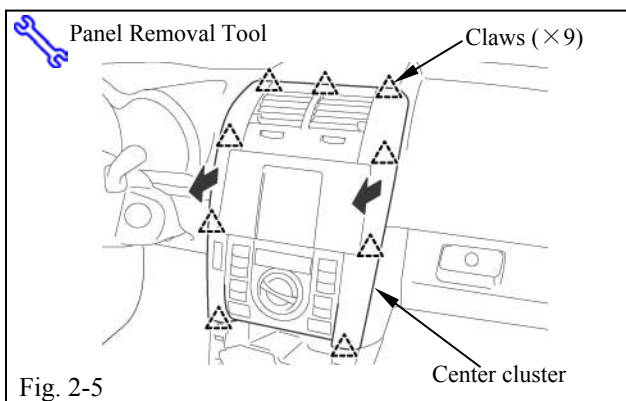
(2) Disengage the 6 claws and remove the console cluster (Fig. 2-3).

(3) Disconnect the connectors (Fig. 2-3).



(c) Remove the console upper panel.

(1) Disengage the 7 claws and remove the console upper panel (Fig. 2-4).



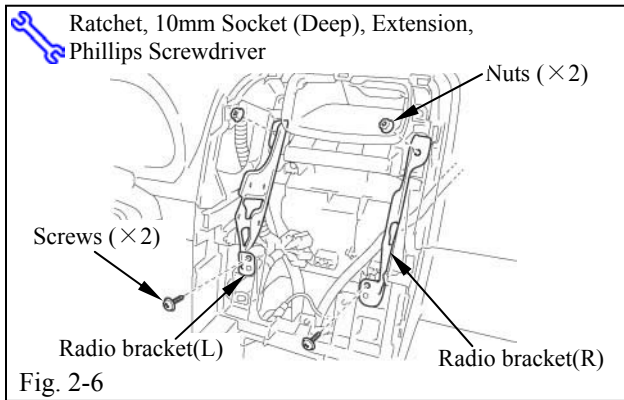
(d) Remove the center cluster.

(1) Disengage the 9 claws and remove the center cluster (Fig. 2-5).

(2) Disconnect the connectors (Fig. 2-5).

NOTE: When removing center cluster, audio door is performed closed.

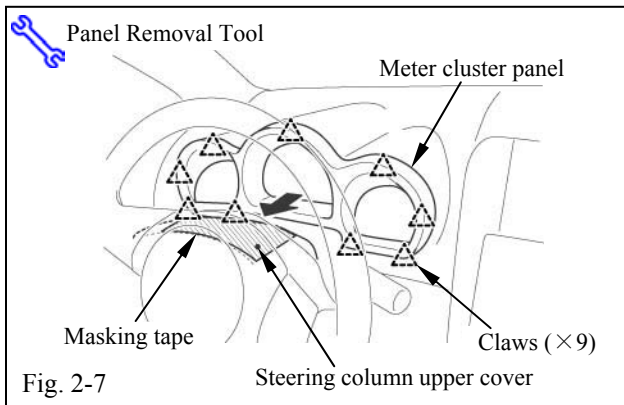




(e) Remove the radio bracket.

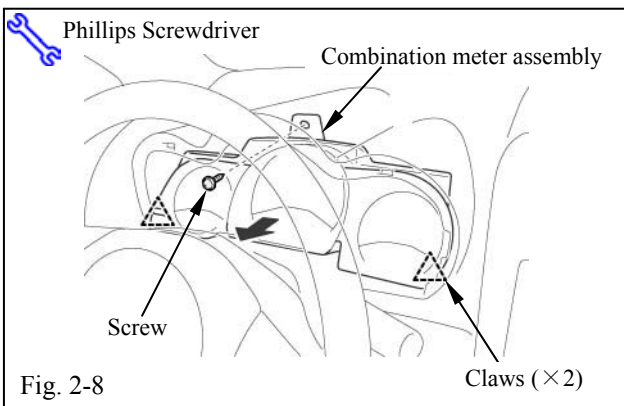
- (1) Remove the 2 screws, 2 nuts and radio brackets (L and R) (Fig. 2-6).

NOTE: The radio brackets are non-reusable parts. Please ensure that you do not reinstall them when re-assembling the navigation system.



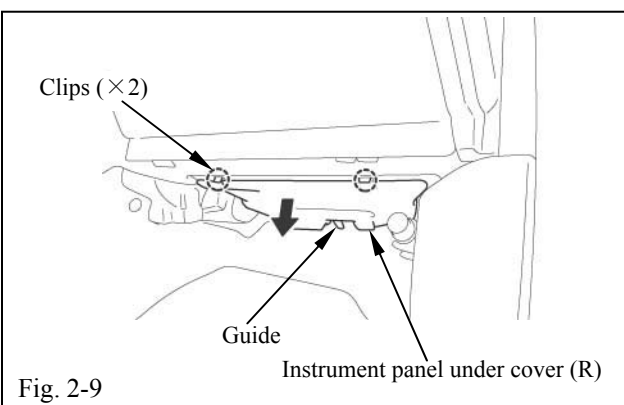
(f) Remove the meter cluster panel

- (1) Apply masking tape to the upper side of the steering column upper cover, as shown in the illustration (Fig. 2-7).
- (2) Tilt steering column down & position turn and wiper arm down.
- (3) Disengage the 9 claws and remove the meter cluster panel by angle down (Fig. 2-7).



(g) Remove the combination meter assembly.

- (1) Remove the screw, disengage the 2 claws and then remove the combination meter assembly (Fig. 2-8).
- (2) Disconnect the connectors (Fig. 2-8).



(h) Remove the instrument panel under cover (R).

- (1) Disengage the 2 clips and remove the instrument panel under cover (R) (Fig. 2-9).

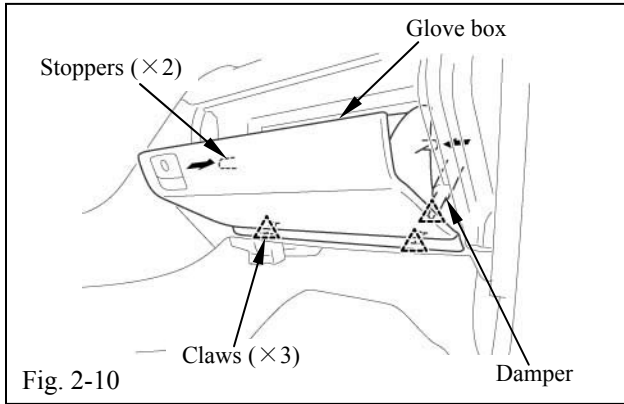


Fig. 2-10

- (i) Remove the glove box.
 - (1) Disengage the claw from the damper (Fig. 2-10).
 - (2) Disengage the 2 stoppers and 2 claws and remove the glove box (Fig. 2-10).

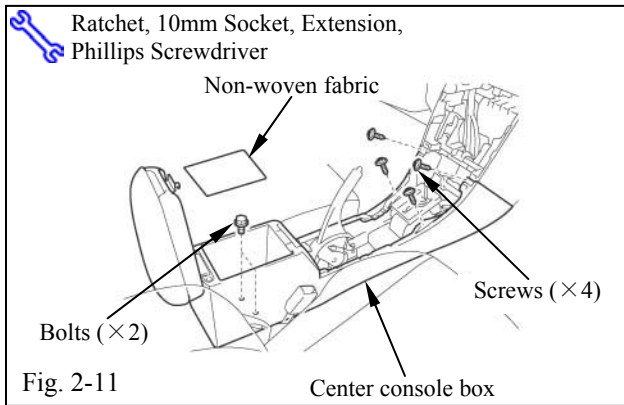


Fig. 2-11

- For Automatic Transmission Model Only**
- (j) Remove the center console box.
 - (1) Remove the non-woven fabric (Fig. 2-11).
 - (2) Remove the 4 screws and 2 bolts (Fig. 2-11).

NOTE: Perform the wiring operation with the center console box lifted. It is not necessary to disconnect the connectors.

3. Navigation System Installation

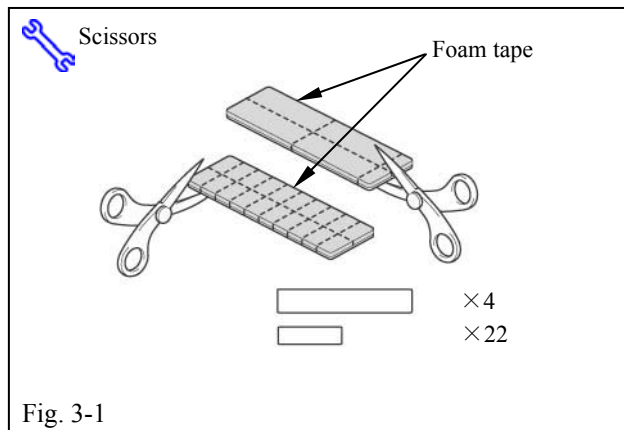
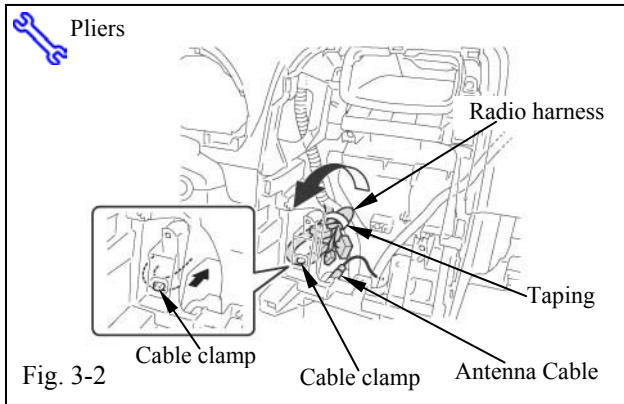
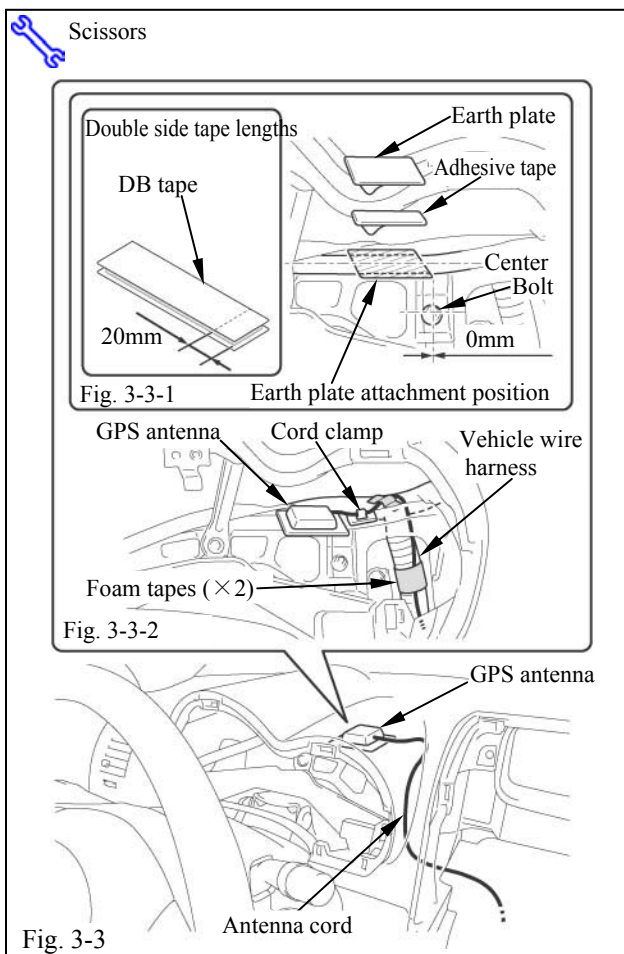


Fig. 3-1

- (a) Foam tape cut procedures.
 - (1) As shown in the illustration, cut foam tape into 4 large pieces and 22 small pieces (Fig. 3-1).
- NOTE: <Large pieces>**
- Used to bundle excess antenna cord and wire harness.
- <Small pieces>**
- Used to fix the antenna cord.
 - Used to fix the REV signal wire.
 - Used to fix the PKB signal wire.
 - Used to fix the video cord.

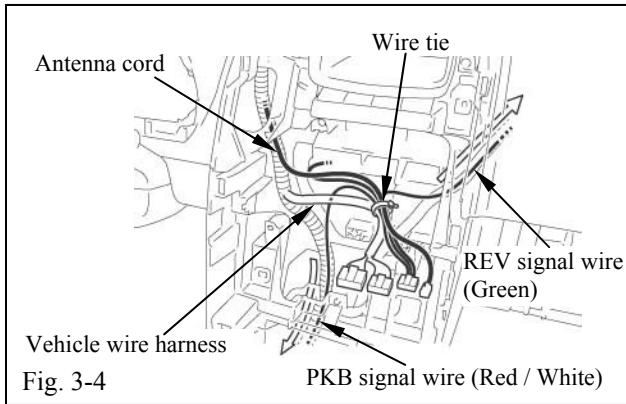


- (b) Remove the radio harness and antenna cable.
 - (1) Remove the taping securing the radio harness (Fig. 3-2).
 - (2) Remove the cable clamp from the radio harness (Fig. 3-2).
 - (3) Pull out the antenna cable from the instrument panel hub (Fig. 3-2).



- (c) GPS antenna installation and routing.
 - (1) Temporarily route the antenna cord to the navigation system installation location. (Fig. 3-3).
 - (2) Cut a piece of double sided tape to the length shown in the illustration. (Fig. 3-3-1).
 - (3) Remove the release paper from the earth plate and apply the piece of adhesive tape to the bottom of the earth plate (Fig. 3-3-1).
 - (4) Apply the earth plate to the area indicated by the hatched lines in the illustration (Fig. 3-3-1).
 - (5) Place the GPS antenna onto the center of the earth plate (Fig. 3-3-1).
 - (6) Secure the antenna cord to the vehicle wire harness with the cord clamp and 2 pieces of foam tape (Fig. 3-3-2).

NOTE: Before attaching any double adhesive tape, wipe off any dirt, water or oil from the attachment surface.



(d) Route the wire harness.

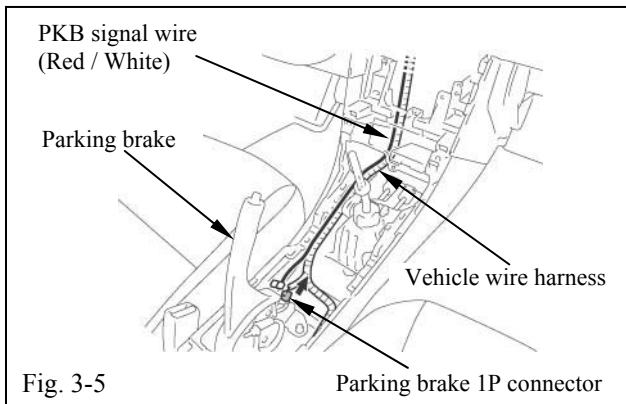
- (1) Fix the wire harness and antenna cord to the vehicle wire harness with a wire tie (Fig. 3-4).
- (2) Route the REV signal wire (Green) from the wire harness, along the vehicle wire harness to the glove box (Fig. 3-4).
- (3) Route the PKB signal wire (Red / White) from the wire harness, along the vehicle wire harness down to the shift lever (Fig. 3-4).

NOTE: It is not necessary to connect the SPD signal wire (Violet / White) from the wire harness.

For Manual Transmission Model Only

(e) Temporarily route the PKB signal wire.

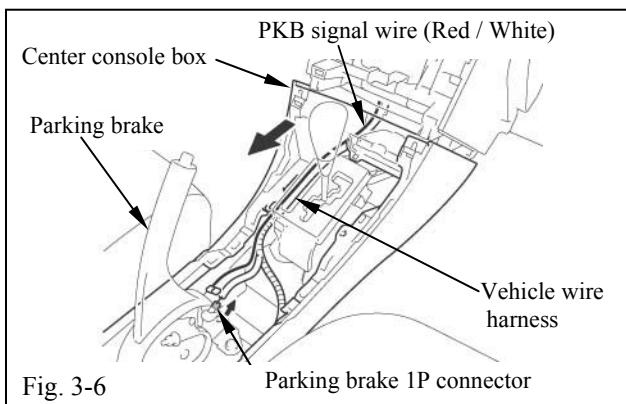
- (1) Route the PKB signal wire (Red / White) from the wire harness, along the vehicle wire harness down to the parking brake (Fig. 3-5).
- (2) Disconnect the white 1P connector from the parking brake switch (Fig. 3-5).

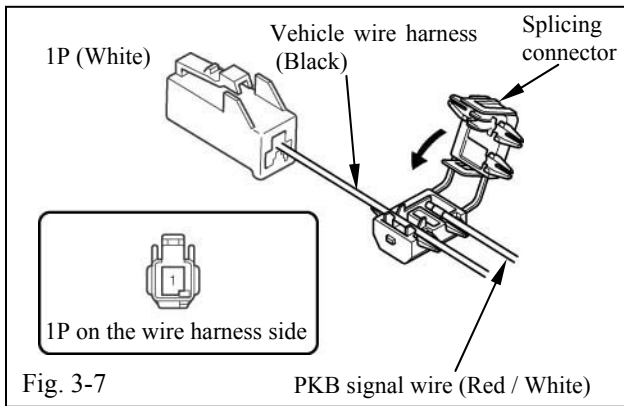


For Automatic Transmission Model Only

(f) Temporarily route the PKB signal wire.

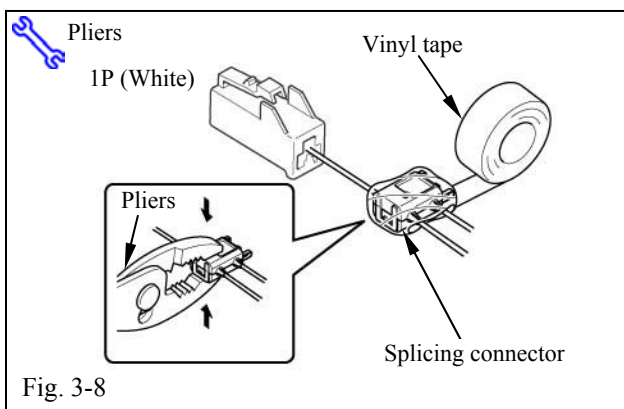
- (1) Lift the center console box from the front. (Fig. 3-6).
- (2) Route the PKB signal wire (Red / White) from the wire harness, along the vehicle wire harness down to the parking brake (Fig. 3-6).
- (3) Disconnect the white 1P connector from the parking brake switch (Fig. 3-6).





(g) Connect the PKB signal wire.

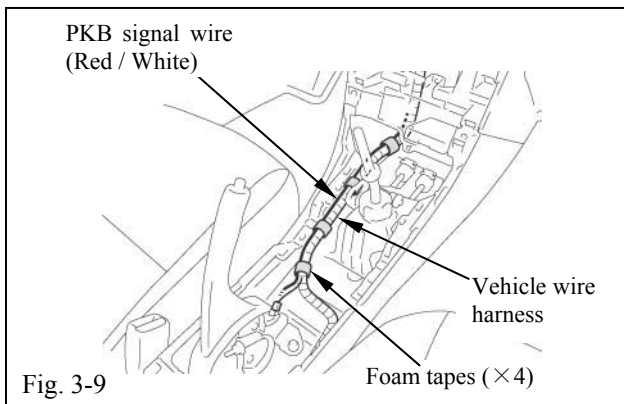
- (1) Connect the white 1P connector (Black) from the parking brake switch to the PKB signal wire (Red / White) from the wire harness (Fig. 3-7).



- (2) Using pliers, engage the splicing connector (Fig. 3-8).

- (3) Wrap vinyl tape around the splicing connector (Fig. 3-8).

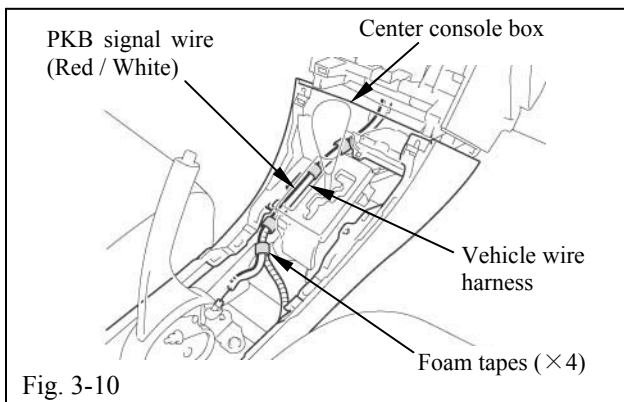
- (4) Reconnect the white 1P connector to the parking brake switch (Fig. 3-8).



For Manual Transmission Model Only

(h) Fix the PKB signal wire.

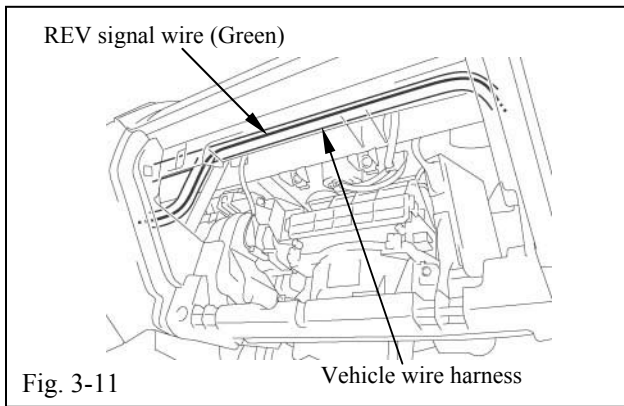
- (1) Take the PKB signal wire (Red / White) from the wire harness and fix it to the vehicle wire harness with form tape (Fig. 3-9).



For Automatic Transmission Model Only

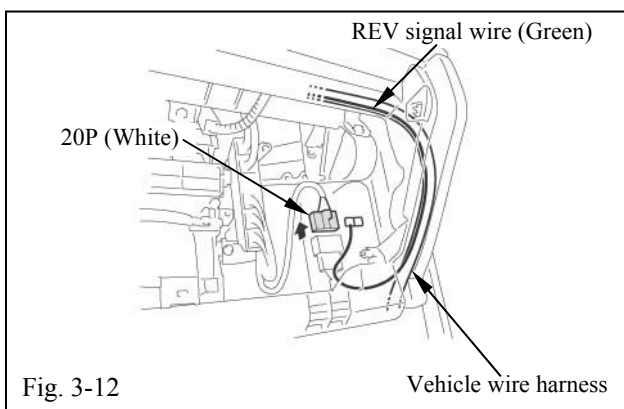
(i) Fix the PKB signal wire.

- (1) Take the PKB signal wire (Red / White) from the wire harness and fix it to the vehicle wire harness with form tape (Fig. 3-10).



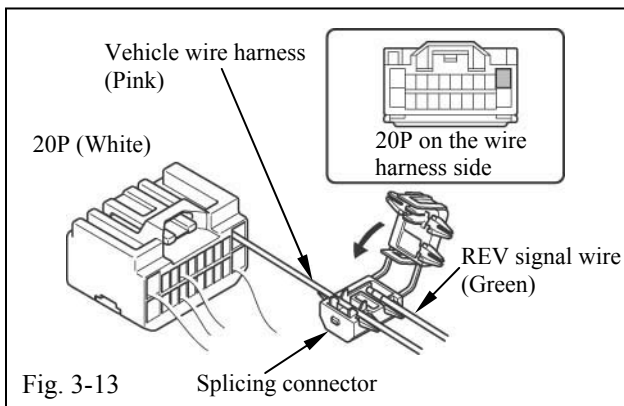
(j) Temporarily route the REV signal wire.

(1) Temporarily route the REV signal wire (Green) from the wire harness along the vehicle wire harness (Fig. 3-11).



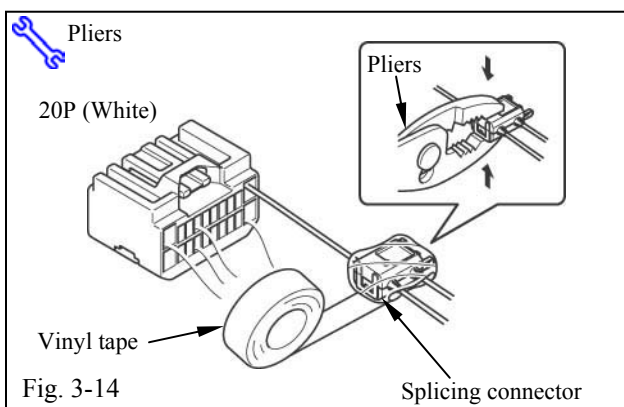
(2) Temporarily route the REV signal wire (Green) from the wire harness, along the vehicle wire harness down to the white 20P connector (Fig. 3-12).

(3) Disconnect the white 20P connector (Fig. 3-12).



(k) Connect the REV signal wire.

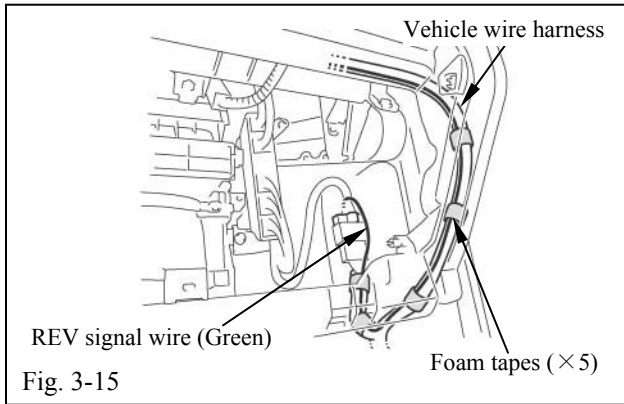
(1) Connect the pink wire from the white 20P connector to the REV signal wire (Green) from the wire harness (Fig. 3-13).



(2) Using pliers, engage the splicing connector (Fig. 3-14).

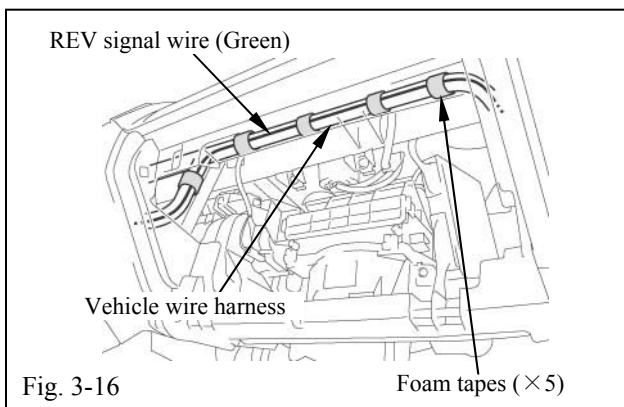
(3) Wrap vinyl tape around the splicing connector (Fig. 3-14).

(4) Reconnect the white 20P connector (Fig. 3-14).

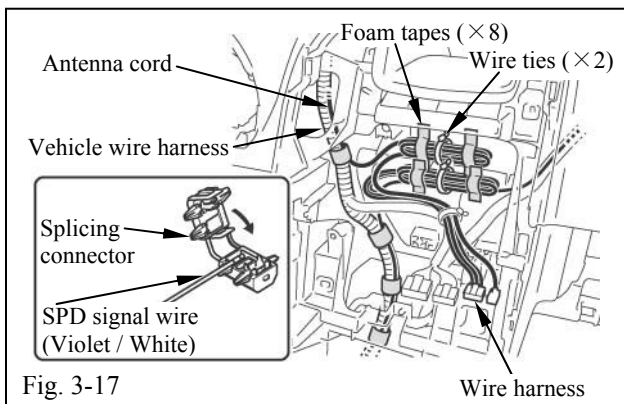


(l) Fix the REV signal wire.

- (1) Take the REV signal wire (Green) from the wire harness and fix it to the vehicle wire harness with foam tape (Fig. 3-15).



- (2) Take the REV signal wire (Green) from the wire harness and fix it to the vehicle wire harness with foam tape (Fig. 3-16).

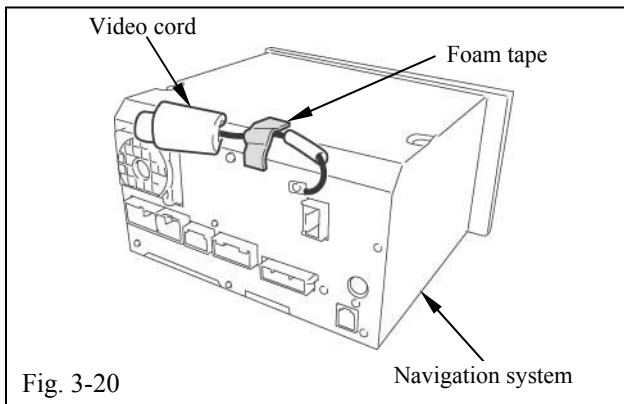
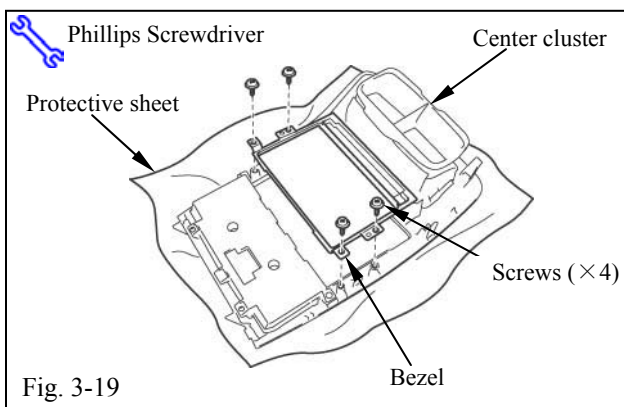
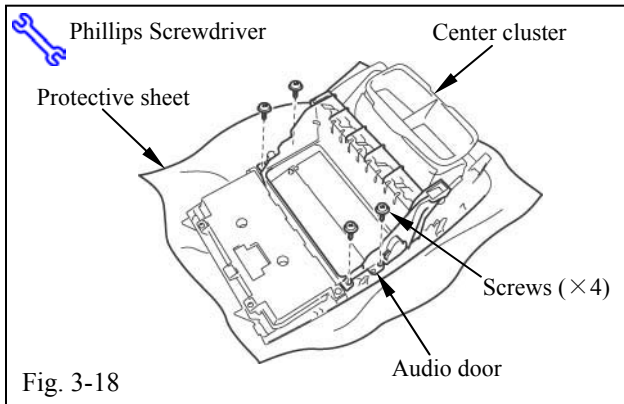


(m) Bundle any excess wire harness and antenna cord.

- (1) Take the antenna cord and PKB signal wire (Red / White) from the wire harness and fix them, without any slack, to the vehicle wire harness using foam tape (Fig. 3-17)
- (2) Bundle the wire harness and antenna cord with the 2 wire ties and fix them to the vehicle wire harness shown in the illustration with foam tape (Fig. 3-17).

NOTE: Engage the splicing connector of the SPD signal wire (Violet / White).

NOTE: Bundle the SPD signal wire (Violet / White) from the wire harness with other cords.



(n) Bezel installation.

- (1) Remove the 4 screws and remove the audio door from the center cluster (Fig. 3-18).



NOTE: Be sure to place the center cluster onto a protective sheet before performing this work.

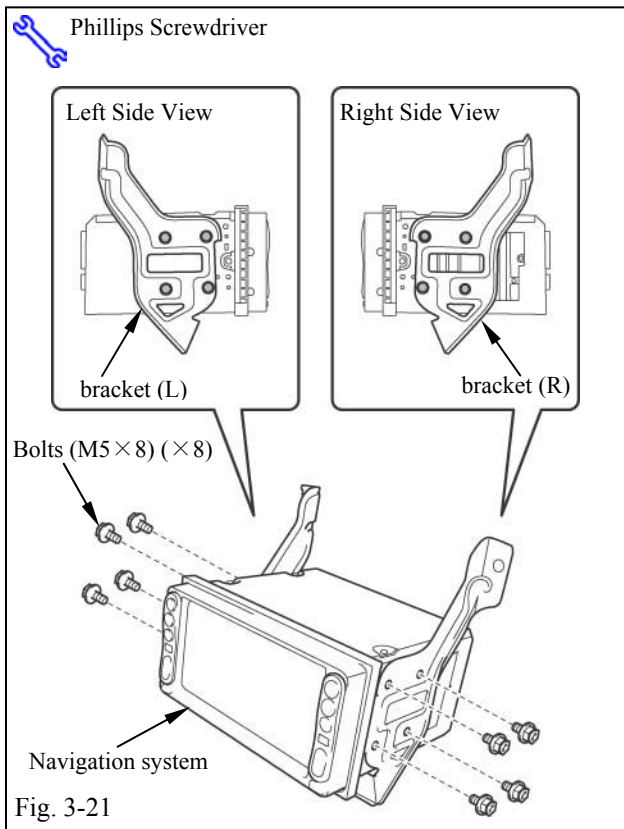
- (2) Install the bezel onto the center cluster with the 4 screws which have been removed in the previous step (Fig. 3-19).



NOTE: Do not use power tools as bezel may get damaged.

(o) Fix the video cord.

- (1) Remove the vinyl covering from the video cord (Fig. 3-20).
- (2) Fix the video cord to the navigation system with foam tape (Fig. 3-20).

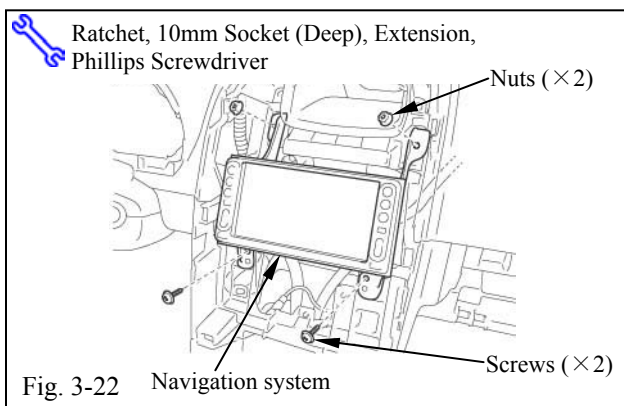


(p) Install the brackets.

- (1) Install the brackets (L and R) onto the navigation system with the 8 bolts (M5×8) (Fig. 3-21).



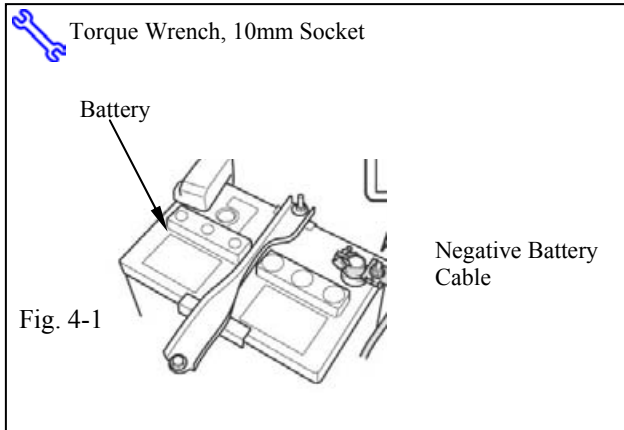
NOTE: Bracket type (L and R):
PT611-21080 LH/RH



(q) Install the navigation system.

- (1) Connect the connectors (20P / 16P / 10P / 6P / Wire harness / GPS antenna cable / Radio antenna cable) to the navigation system (Fig. 3-22).
- (2) Install the navigation system onto the vehicle with the 2 screws and 2 nuts. (Fig. 3-22).

(r) Reinstall the parts in the reverse order of removal.

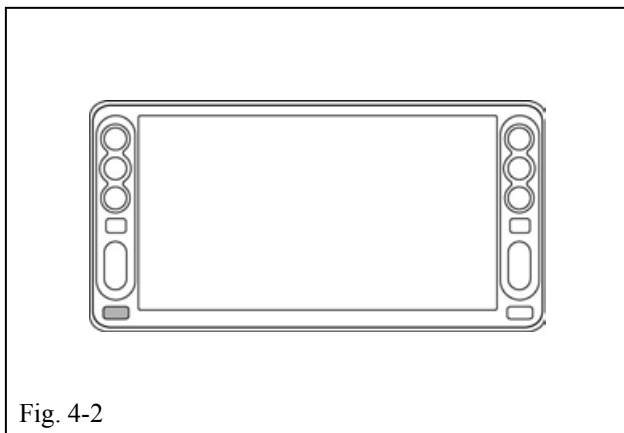


4. In-process function check - Check REV/PKB signal wire connection

(a) Reconnect the vehicle's negative battery cable (Fig. 4-1).

Position the negative terminal back to factory position.

- (1) Tighten the nut to 36 in-lbs.
- (2) Do not touch the positive terminal with any tool when replacing the cable.
- (3) Connect DCC Fuse
- (4) Install Navigation DVD



(b) Press the "DISP" button to display the initial search screen. (Fig. 4-2).

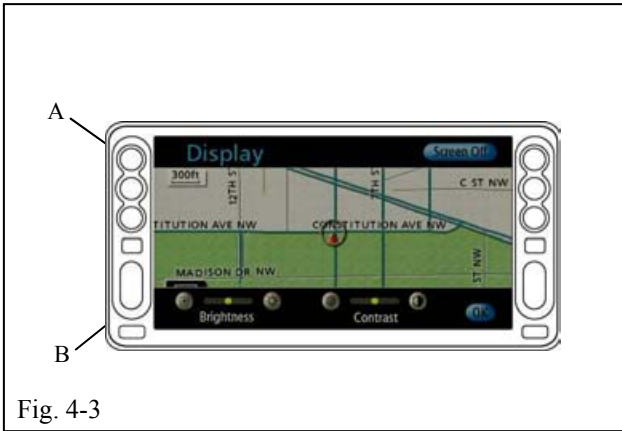


Fig. 4-3

- (c) In order to display the "System Check Mode" screen, touch areas A and B, indicated on the screen, in the following order:

A→B→A→B→A→B·····(Fig. 4-3).

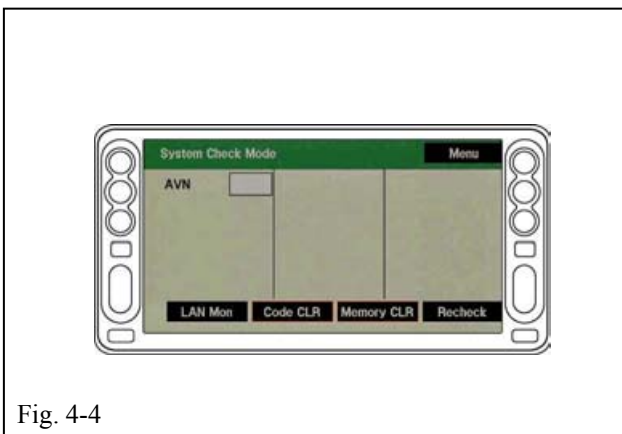


Fig. 4-4

- (d) Touch "Menu" to display the "Diagnosis Menu" screen (Fig. 4-4).

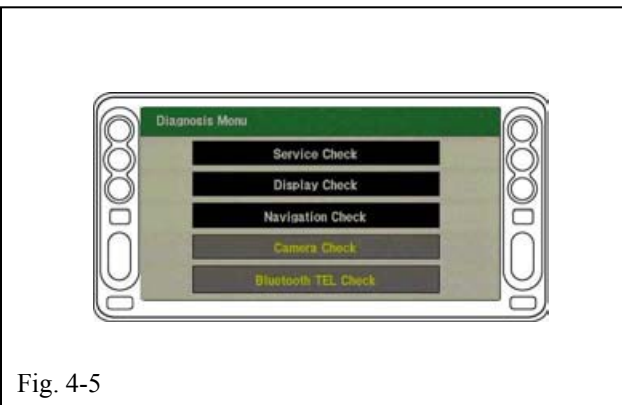


Fig. 4-5

- (e) Touch "Display Check" to display the "Display Check" screen (Fig. 4-5).

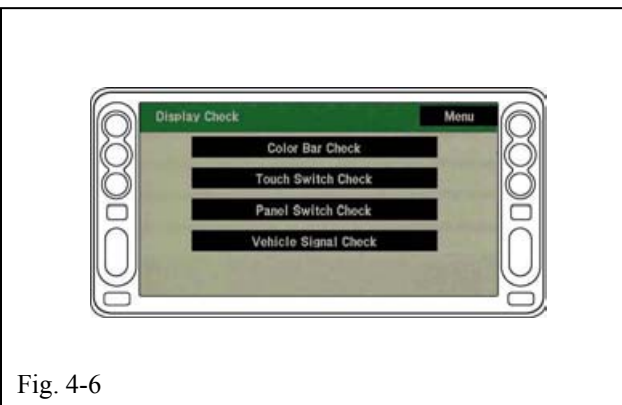


Fig. 4-6

- (f) Touch "Vehicle Signal Check" to display the "Vehicle Signal Check" screen (Fig. 4-6).

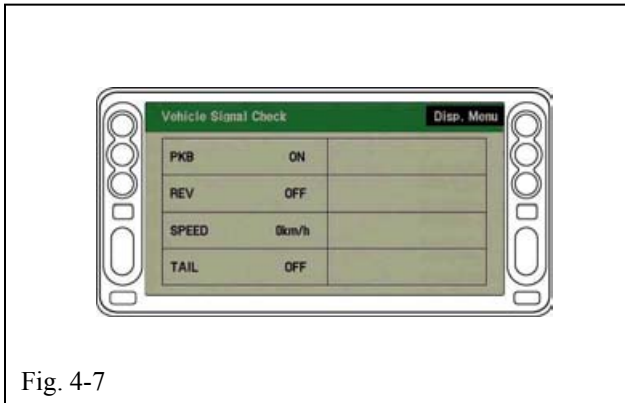


Fig. 4-7

(g) Perform the following confirmation tests by referring to the indications circled on the screen (Fig. 4-7).

PKB

- (1) When the PKB is engaged →ON
- (2) When the PKB is disengaged →OFF

REV

- (3) When the shift lever is engaged in the R position →ON
- (4) When the shift lever is engaged in any position other than R →OFF

NOTE: If the results are not as specified, check the connection again.

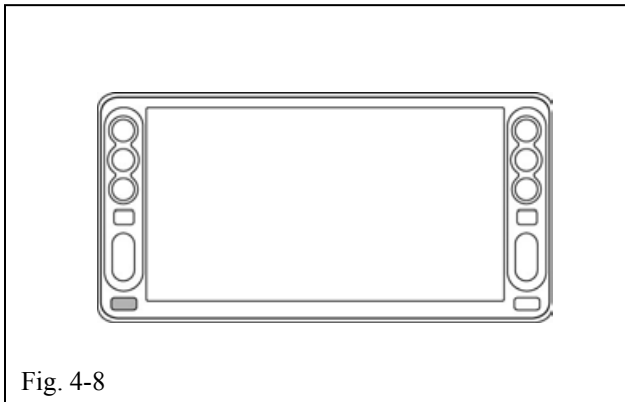


Fig. 4-8

(h) Terminate the operation by pressing the "DISP" button on the screen for more than 3 seconds (Fig. 4-8).

5. Completing the installation

(a) Complete the reassembly of the vehicle.



(1) Reconnect any disconnected connectors.



(2) Verify the panels fit together properly with no uneven gaps between them.

(b) Clean up and remove any trash.

(c) Place the owner's manual left in their protective bags, IPOD cable and DVD Jewel case in the glove box.

Checklist - these points **MUST** be checked to ensure a quality installation.

Check:

Look For:

Accessory Function Checks

- Press the "MENU" button and check that the menu screen appears.
- Touch the "Volume" button and check that the volume level displayed on the volume screen changes accordingly.
- Press the "MAP/VOICE" button and check that the map screen appears.
- Touch and scroll the map displayed on the screen and check that the map can be scrolled.
- Check for GPS icon on display when under open sky.

GPS antenna connection is ok

Vehicle Function Checks

- Hazard Switch
- Air Conditioner
- Front Passenger Seat Belt Monitor
- Door Key Lock Monitor
- Cigarette Lighter
- Refer to your Car Owner's Manual, and return the Power Windows to their initial positions.
- Refer to your Car Owner's Manual, and return the Back Door Lock to its initial position.
- Refer to your Car Owner's Manual, and return the Panorama Moon Roof to its initial position.

Functioning Hazard Switch

Functioning Air Conditioner

Functioning Front Passenger Seat Belt Monitor

Functioning Door Key Lock Monitor

Functioning Cigarette Lighter

Auto-open and Auto-close operation of each of the Power Windows is possible with the driver's seat master switch.

Door Lock and Unlock functions operate correctly.

Panorama Moon Roof Auto-open and auto-close functions operate correctly.