

Part Number: 08545-00930

Kit Contents

| Item # | Quantity Req. | Description |
|--------|---------------|-------------------|
| 1 | 1 | Navigation System |
| 2 | 1 | GPS Antenna |
| 3 | 1 | Wire Harness |
| 4 | 1 | DVD-ROM |
| 5 | 1 | Owner's Manual |

Hardware Bag Contents

| Item # | Quantity Req. | Description |
|--------|---------------|------------------|
| 1 | 1 | Earth Plate |
| 2 | 2 | Cord Clamp |
| 3 | 5 | Wire Tie |
| 4 | 3 | Foam Tape |
| 5 | 1 | Protection Sheet |
| 6 | 8 | Bolt(M5×8) |
| 7 | 1 | Adhesive Tape |

Additional Items Required For Installation

| Item # | Quantity Req. | Description |
|--------|---------------|-------------|
| | | |

Conflicts

| |
|------|
| None |
|------|

Recommended Tools

| Personal & Vehicle Protection | Notes |
|--|--------------------------------------|
| Vehicle protection | Blankets, Masking tape, Vinyl tape |
| | |
| | |
| Special Tools | Notes |
| None | |
| Installation Tools | Notes |
| Panel Clip Removal Tool | e.g. Toyota SST P/N:- 00002-06002-01 |
| Wrench | Open End, 10mm |
| Socket | 10mm |
| Ratchet | |
| Extension | |
| Screwdriver | Phillips |
| Torque Wrench | 36 lbf · in |
| Pliers | |
| Scissors | |
| Nipper | |
| Special Chemicals | Notes |
| None | |
| | |

NOTE: Part number of this accessory may not be the same as the part number shown.

General Applicability

| |
|--|
| |
|--|

Recommended Sequence of Application


| Item # | Accessory |
|--------|-------------------|
| 1 | Navigation System |
| 2 | Satellite Radio |
| 3 | Subwoofer |
| 4 | Interior lights |


*Mandatory


Vehicle Service Parts (may be required for reassembly)


| Item # | Quantity Req. | Description |
|--------|---------------|-------------|
| | | |


Legend

 **STOP:** Damage to the vehicle may occur. Do not proceed until process has been complied with.

 **OPERATOR SAFETY:** Use caution to avoid risk of injury.

 **CAUTION:** A process that must be carefully observed in order to reduce the risk of damage to the accessory/vehicle and to ensure a quality installation.

 **TOOLS & EQUIPMENT:** Used in Figures calls out the specific tools and equipment recommended for this process.

 **REVISION MARK:** This mark highlights a change in installation with respect to previous issue.

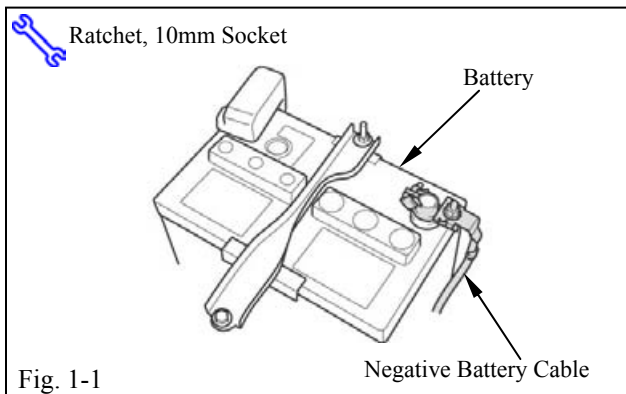
Care must be taken when installing this accessory to ensure damage does not occur to the vehicle. The installation of this accessory should follow approved guidelines to ensure a quality installation.

These guidelines can be found in the "Accessory Installation Practices" document.

This document covers such items as:-

- Vehicle Protection (use of covers and blankets, cleaning chemicals, etc.).
- Safety (eye protection, rechecking torque procedure, etc.).
- Vehicle Disassembly/Reassembly (panel removal, part storage, etc.).
- Electrical Component Disassembly/Reassembly (battery disconnection, connector removal, etc.).

Please see your Toyota dealer for a copy of this document.



1. Vehicle Protection

(a) Remove the negative battery cable (Fig. 1-1).



- (1) Protect the fender before starting.
- (2) Do not touch the positive terminal with any tool when removing cable.

2. Disassembly of Vehicle



NOTE: Place all removed parts on a protected surface.

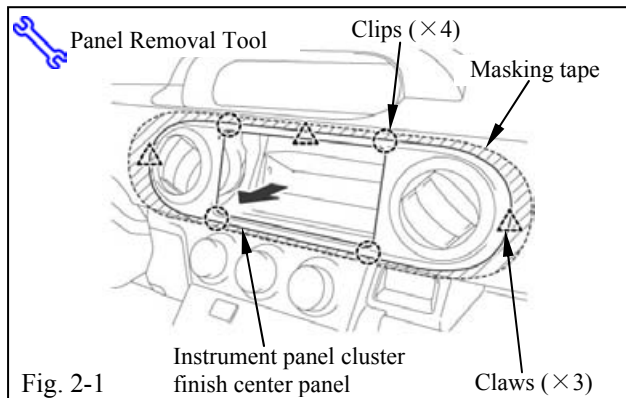


NOTE: When disconnecting wiring connectors do NOT pull on the wiring, pull on the connector only.



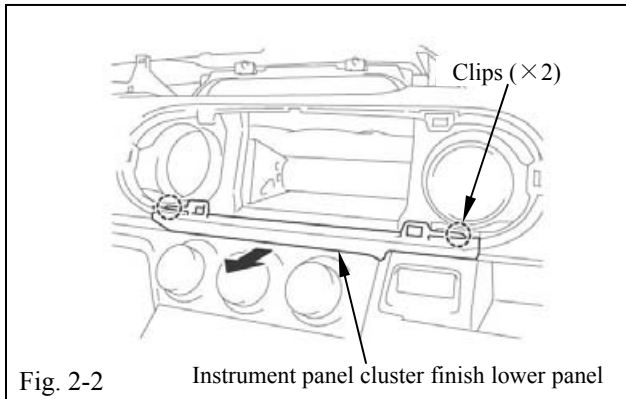
NOTE: Engage the parking brake while working.

(a) Remove the instrument panel cluster finish center panel.



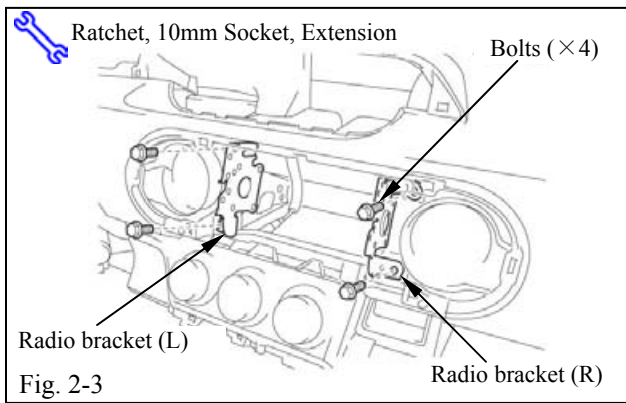
(1) Apply masking tape around the instrument panel cluster finish center panel (Fig. 2-1).

(2) Disengage the 4 clips and 3 claws and remove the instrument panel cluster finish center panel (Fig. 2-1).



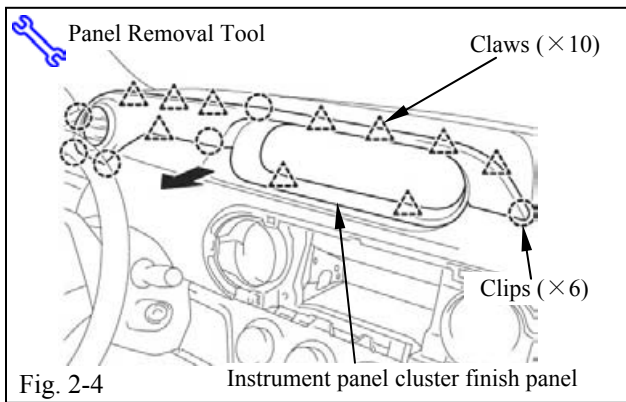
(b) Remove the instrument panel cluster finish lower panel.

- (1) Disengage the 2 clips and remove the instrument panel cluster finish lower panel (Fig. 2-2).



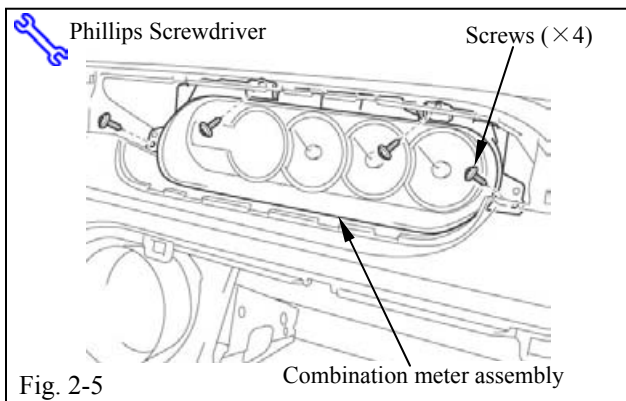
(c) Remove the radio bracket.

- (1) Remove the 4 bolts and remove the radio bracket (Fig. 2-3).



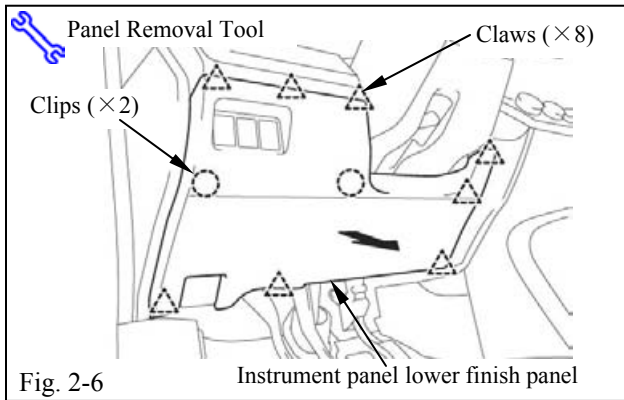
(d) Remove the instrument panel cluster finish panel.

- (1) Disengage the 6 clips and 10 claws and remove the instrument panel cluster finish panel (Fig. 2-4).

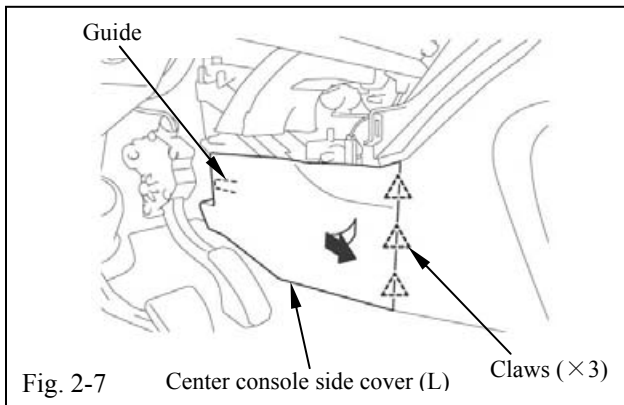


(e) Remove the combination meter assembly.

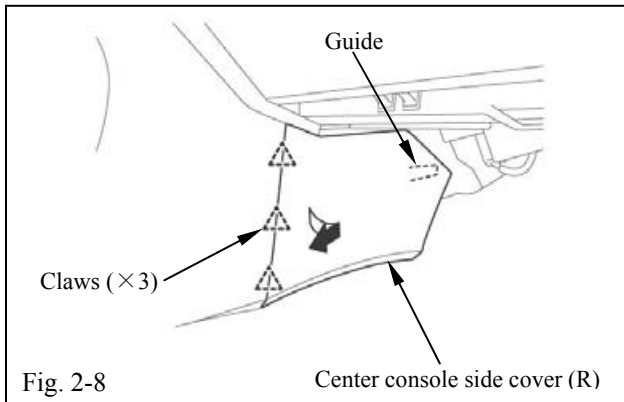
- (1) Remove the 4 screws and remove the combination meter assembly (Fig. 2-5).
- (2) Disconnect the connectors (Fig. 2-5).



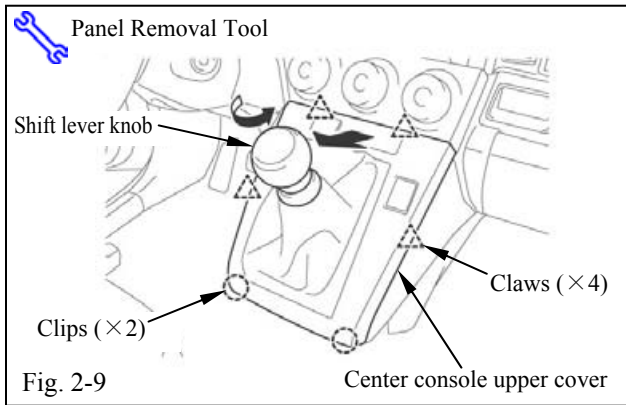
- (f) Remove the instrument panel lower finish panel.
 - (1) Disengage the 2 clips and 8 claws and remove the instrument panel lower finish panel (Fig. 2-6).
 - (2) Disconnect the connectors (Fig. 2-6).



- (g) Remove the center console side cover (L)
 - (1) Disengage the 3 claws and remove the center console side cover (L) (Fig. 2-7).

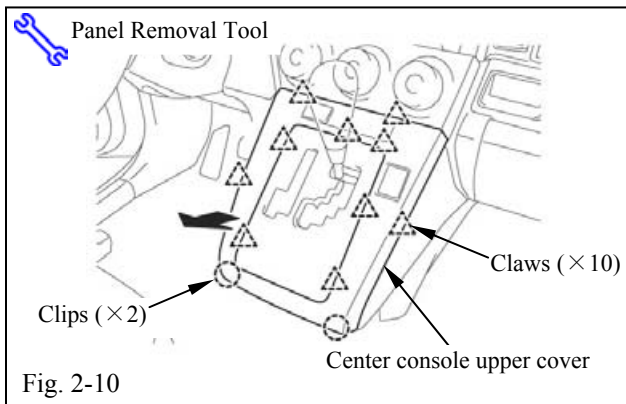


- (h) Remove the center console side cover (R).
 - (1) Disengage the 3 claws and remove the center console side cover (R) (Fig. 2-8).



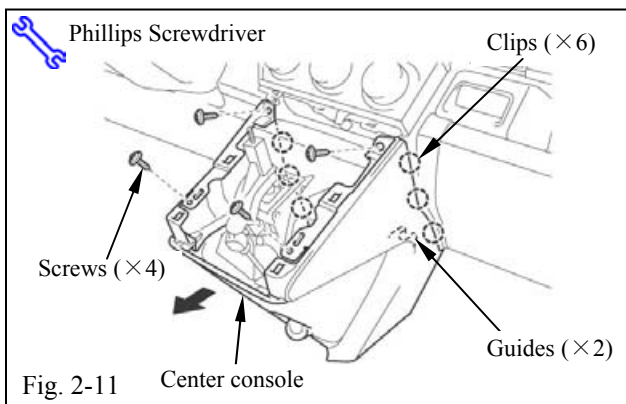
For Manual Transmission Model Only

- (i) Remove the center console upper cover.
 - (1) Remove the shift lever knob (Fig. 2-9).
 - (2) Disengage the 2 clips and 4 claws and remove the center console upper cover (Fig. 2-09).
 - (3) Disconnect the connectors (Fig. 2-9).

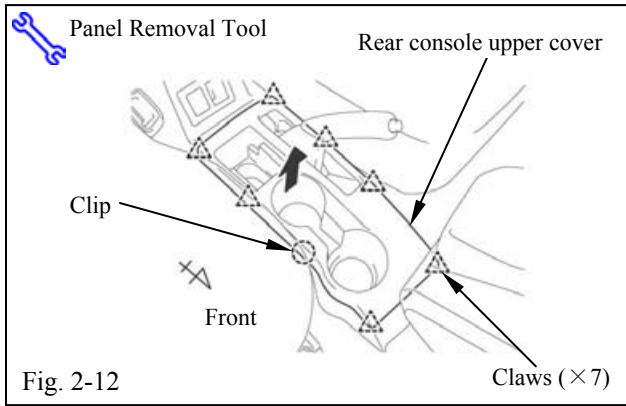


For Automatic Transmission Model Only

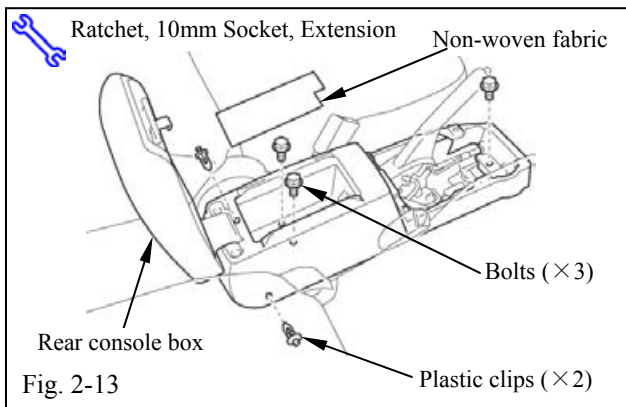
- (j) Remove the center console upper cover.
 - (1) Disengage the 2 clips and 10 claws and remove the center console upper cover (Fig. 2-10).
 - (2) Disconnect the connectors (Fig. 2-10).



- (k) Remove the center console.
 - (1) Remove the 4 screws and disengage the 6 clips, then remove the center console (Fig. 2-11).
 - (2) Disconnect the connectors (Fig. 2-11).

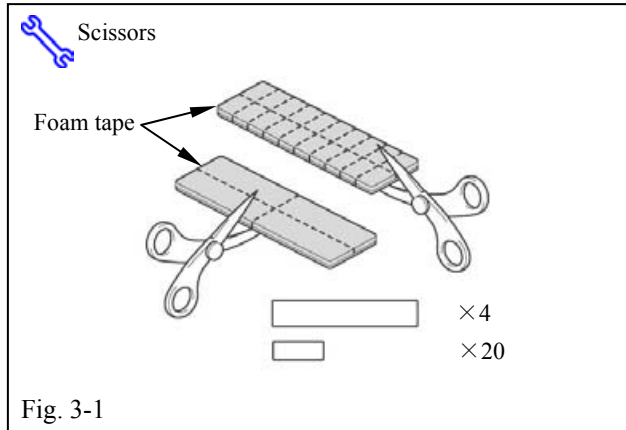


- (l) Remove the rear console upper cover.
 - (1) Disengage the clip and 7 claws and remove the rear console upper cover (Fig 2-12).



- (m) Remove the rear console box.
 - (1) Remove the non-woven fabric (Fig. 2-13).
 - (2) Remove the 3 bolts and 2 plastic clips (Fig. 2-13).

NOTE: Perform the wiring operation with the rear console box lifted. It is not necessary to disconnect the connectors.



3. Navigation System Installation

(a) Foam Tape Cut Procedures.

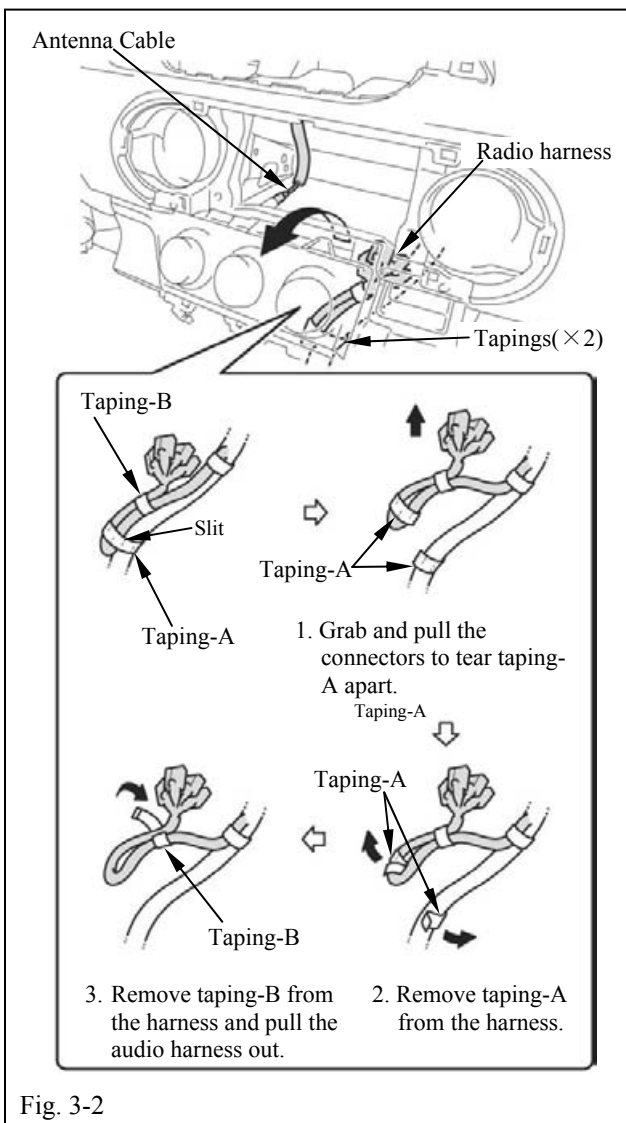
- (1) As shown in the illustration, cut foam tape into 4 large pieces and 20 small pieces (Fig. 3-1).

NOTE: <Large pieces>

- Used to bundle excess antenna cord and wire harness.

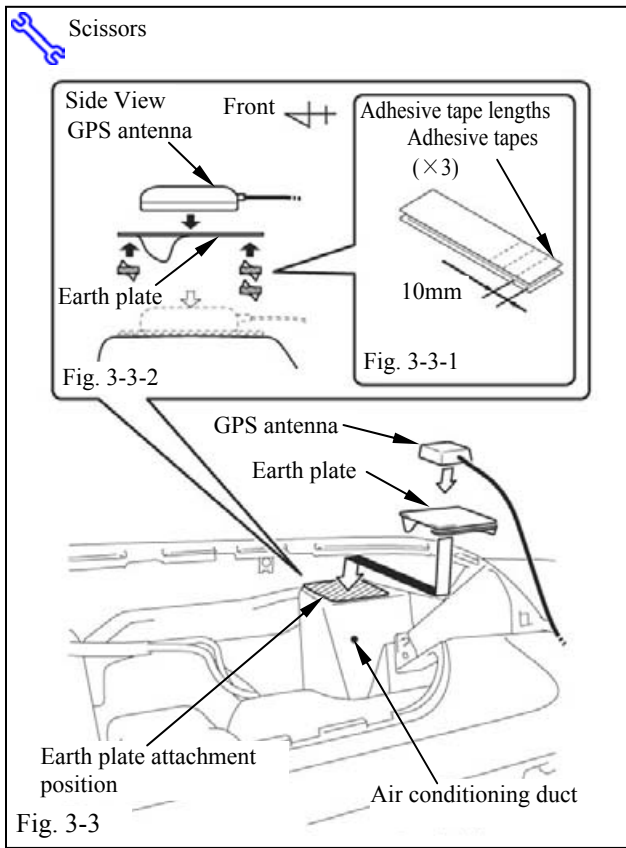
<Small pieces>

- Used to fix the antenna cord.
- Used to fix the REV signal wire.
- Used to fix the PKB signal wire.
- Used to fix the video cord



(b) Remove the radio harness and antenna cable.

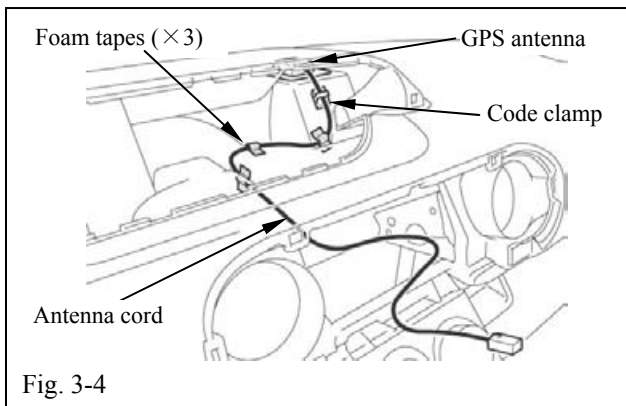
- (1) Remove the taping securing the harness (Fig. 3-2).
- (2) Pull out the antenna cable from the instrument panel hub (Fig. 3-2).



(c) Install the GPS antenna.

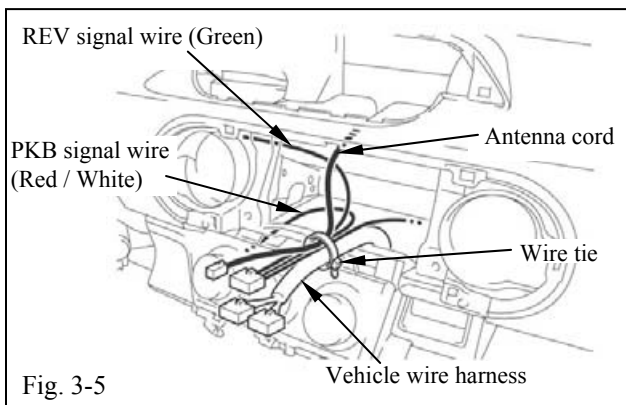
- (1) Cut some pieces of adhesive tape to the length shown in the illustration (Fig. 3-3-1).
- (2) Remove the release paper from the earth plate and apply 3 pieces of adhesive tape to the bottom of the earth plate (Fig. 3-3-2).
- (3) Attach the earth plate onto the air conditioning duct behind the combination meter (Fig. 3-3).
- (4) Place the GPS antenna onto the center of the earth plate (Fig. 3-3).

NOTE: Before attaching any double adhesive tape, wipe off any dirt, water or oil from the attachment surface.



(d) Route the antenna cord.

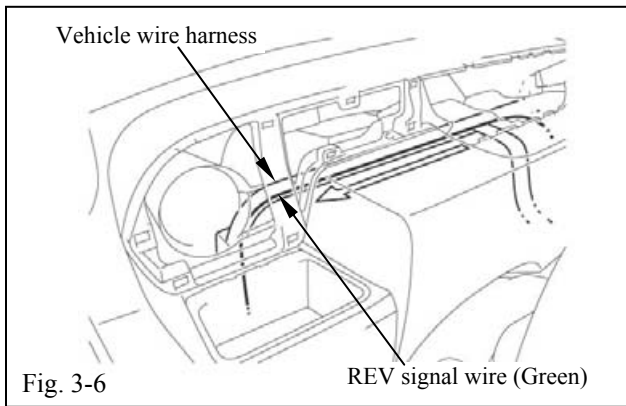
- (1) Route the antenna cord to the navigation system installation location and fix it to the air conditioning duct with a cord clamp and foam tape (Fig. 3-4).



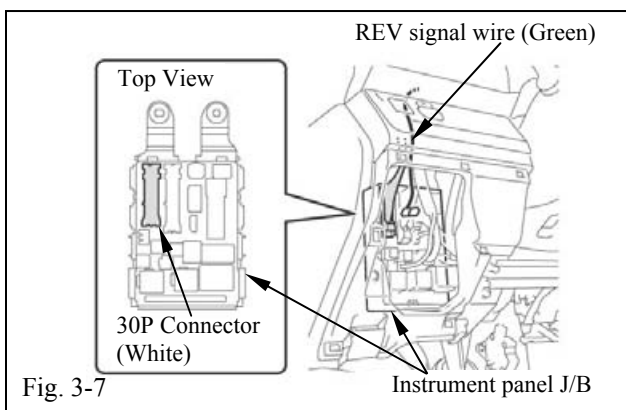
(e) Route the wire harness.

- (1) Fix the wire harness and antenna cord to the vehicle wire harness with a wire tie (Fig. 3-5).

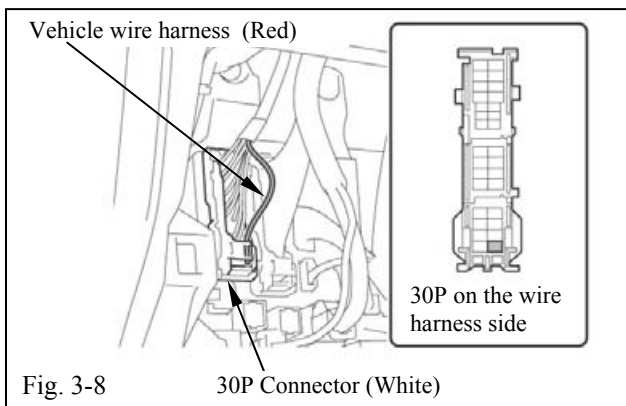
NOTE: It is not necessary to connect the SPD signal wire (Violet / White) from the wire harness.



- (f) Temporarily route the REV signal wire.
 - (1) Temporarily route the REV signal wire (Green) from the wire harness along the vehicle wire harness (Fig. 3-6).

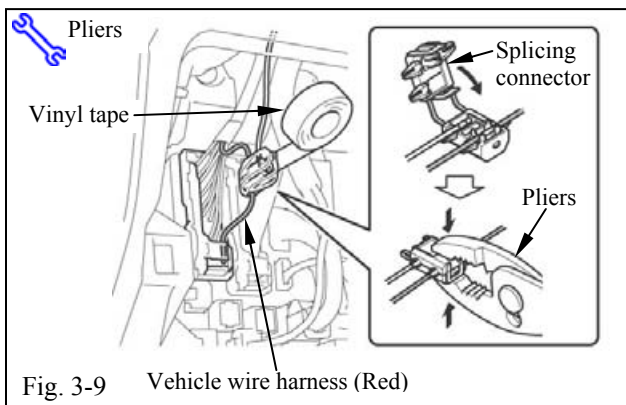


- (2) Temporarily route the REV signal wire (Green) from the wire harness to the white 30P connector in the instrument panel J/B (Fig. 3-7).

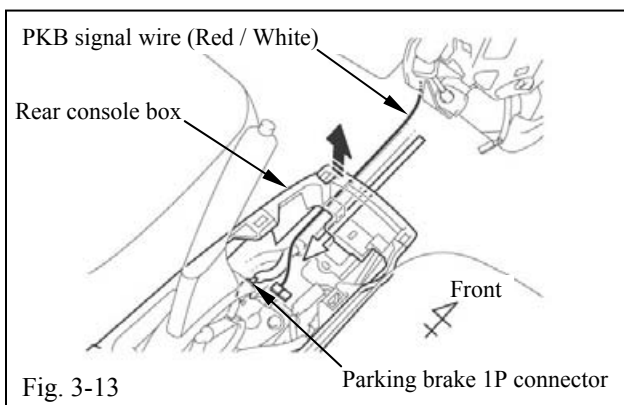
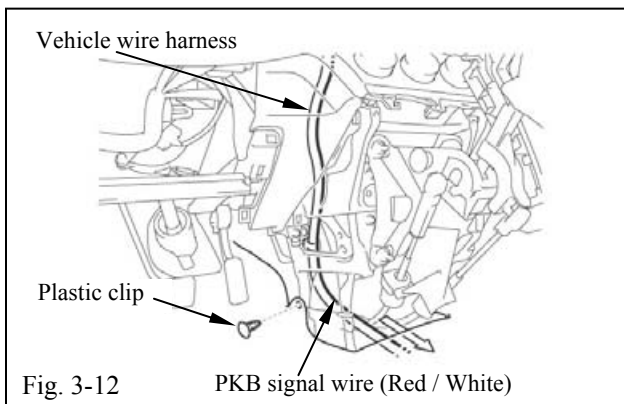
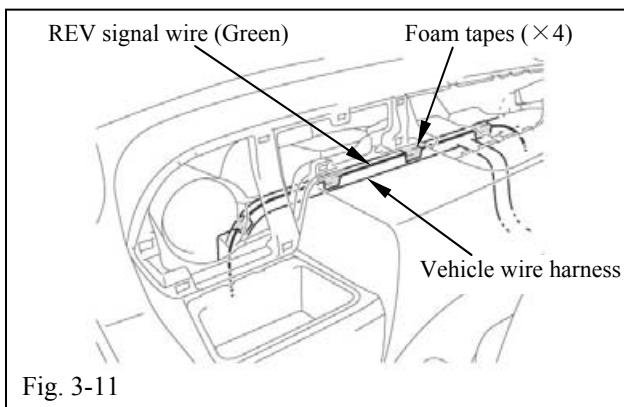
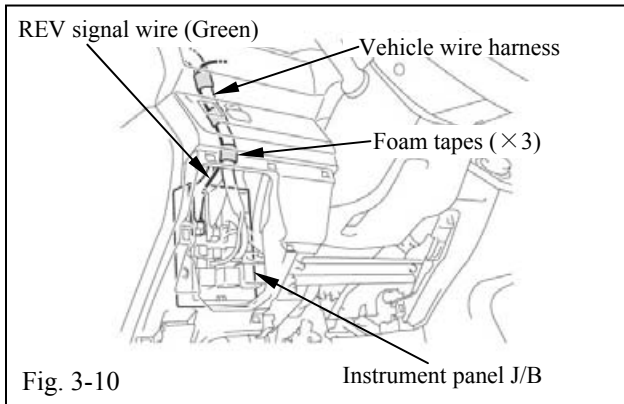


- (g) Connect the REV signal wire.
 - (1) Pull the cord shown in the illustration out from the white 30P connector bundle (Fig. 3-8).

NOTE: Check the terminal number of the wire harness and be sure to connect the correct wire since there are many wires with the same colors.



- (2) Connect the REV signal wire (Green) from the wire harness to the white 30P connector cord (Fig. 3-9).
- (3) Wrap vinyl tape around the splicing connector (Fig. 3-9).



(h) Fix the REV signal wire.

- (1) Take the REV signal wire (Green) from the wire harness and fix it to the vehicle wire harness with foam tape (Fig. 3-10)

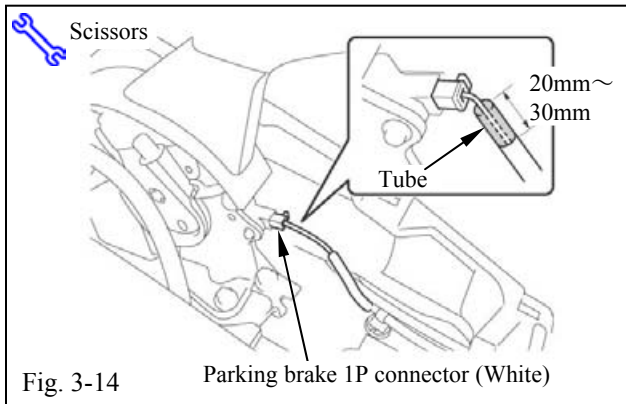
- (2) Take the REV signal wire (Green) from the wire harness and fix it to the vehicle wire harness with form tape (Fig. 3-11).

(i) Temporarily route the PKB signal wire.

- (1) Remove the plastic clip and pull back the floor carpet (Fig. 3-12).
- (2) Route the PKB signal wire (Red / White) from the wire harness along the vehicle wire harness (Fig. 3-12).

- (3) Temporarily route the PKB signal wire (Red / White) from the wire harness along the vehicle wire harness to the white 1P connector on the parking brake switch. (Fig. 3-13).

NOTE: The signal wire can be easily routed by removing the driver side floor carpet and lifting the rear console box.

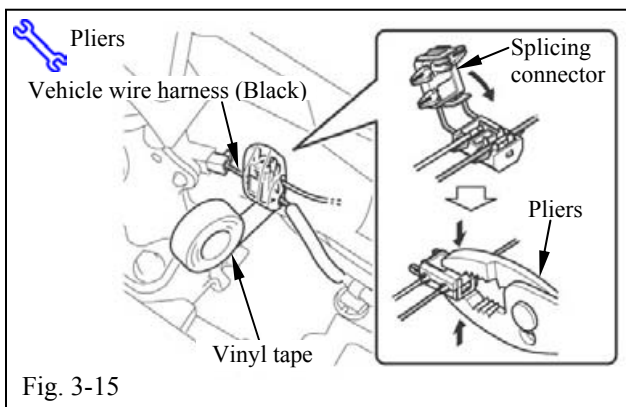


(j) Connect the PKB signal wire.

(1) Cut the vehicle wire harness tube, as shown in the illustration (Fig. 3-14).

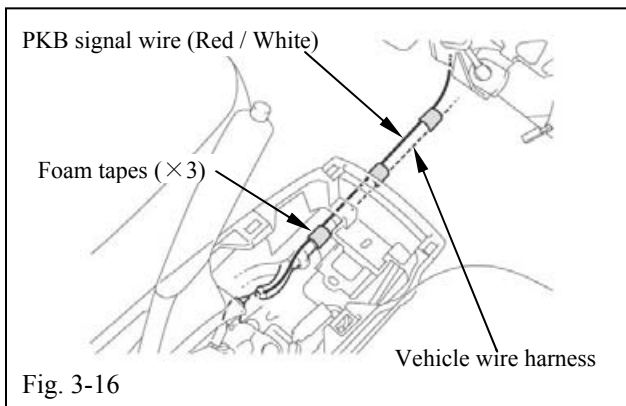


NOTE: Be careful not to cut the vehicle wire harness when cutting the tube.



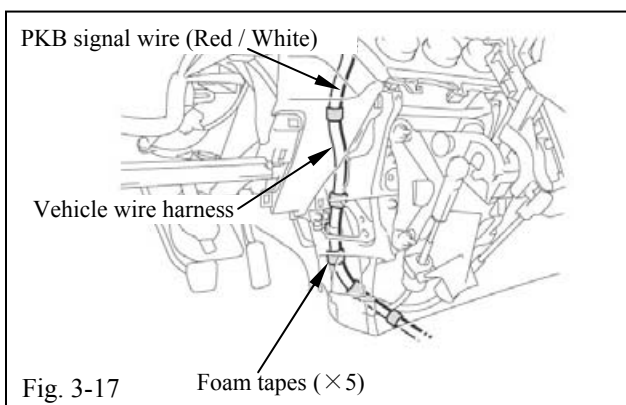
(2) Connect the PKB signal wire (Red / White) from the wire harness to the lead wire from the white 1P connector (Fig. 3-15)

(3) Wrap vinyl tape around the splicing connector (Fig. 3-15).

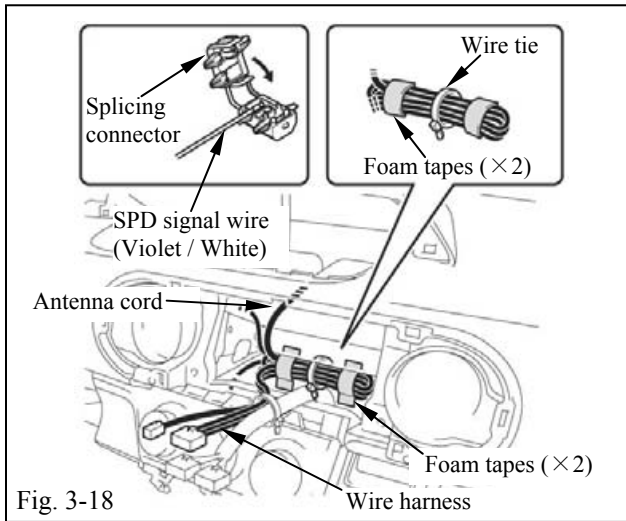


(k) Fix the PKB signal wire

(1) Take the PKB signal wire (Red / White) from the wire harness and fix it to the vehicle wire harness with form tape (Fig. 3-16).



(2) Take the PKB signal wire (Red / White) from the wire harness and fix it without any slack to the vehicle wire harness using form tape (Fig. 3-17).

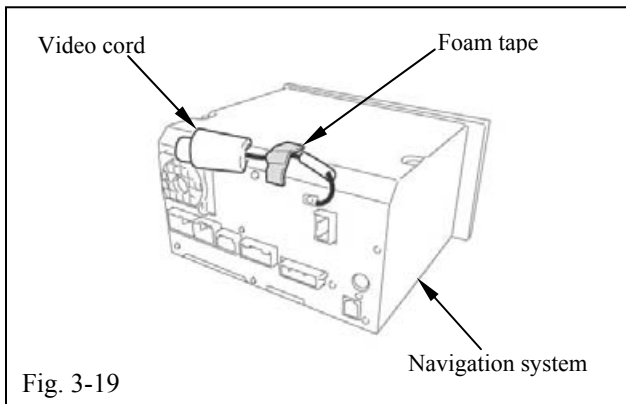


(l) Bundle any excess wire harness and antenna cord.

(1) Bundle the wire harness and antenna cord and fix them to the air conditioning unit shown in the illustration with wire tie and foam tape. (Fig. 3-18).

NOTE: Engage the splicing connector of the SPD signal wire (Violet / White).

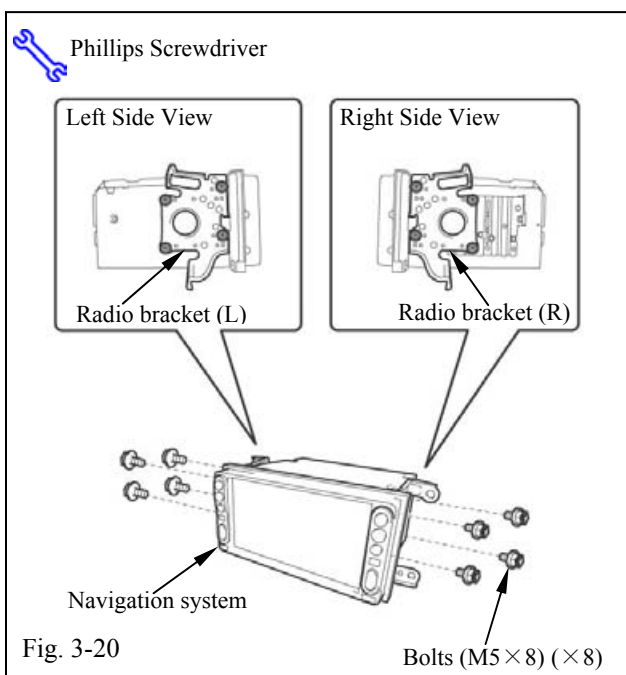
NOTE: Bundle the SPD signal wire (Violet / White) from the wire harness with other cords.



(m) Fix the video cord.

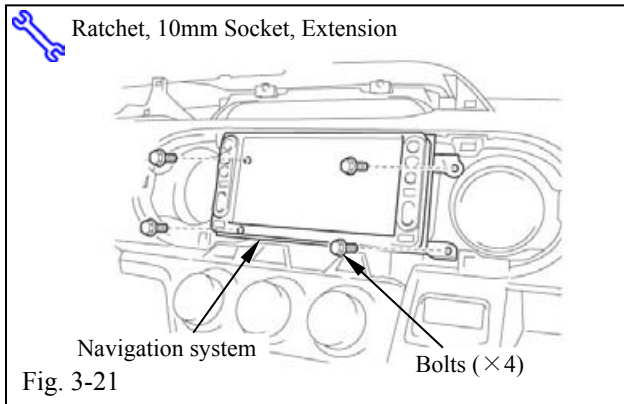
(1) Remove the vinyl covering from the video cord (Fig. 3-19).

(2) Fix the video cord to the navigation system with foam tape (Fig. 3-19).



(n) Install the brackets.

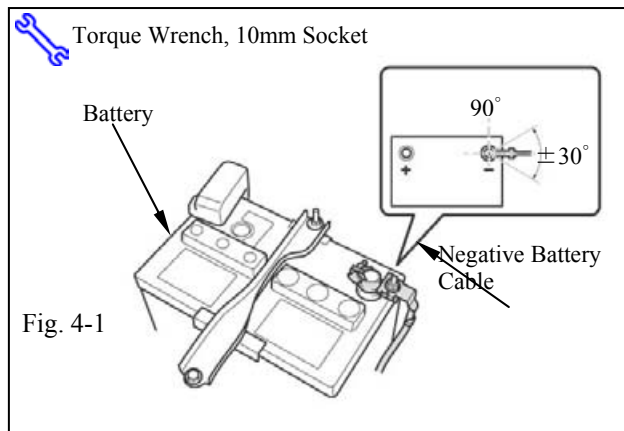
(1) Install the brackets (L and R) onto the navigation system with the 8 bolts (M5x8) (Fig. 3-20).



(o) Install the navigation system.

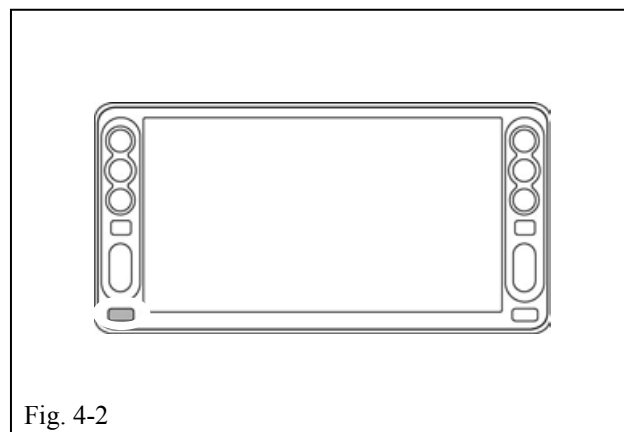
- (1) Connect the connectors (20P /16P /10P / 6P / Wire harness / GPS antenna cable / Radio antenna cable) to the navigation system (Fig. 3-21).
- (2) Install the navigation system with the 4 bolts (Fig. 3-21).

4. In-process function check - Check REV/PKB signal wire connection



(a) Reconnect the vehicle's negative battery cable (Fig. 4-1).

- (1) Position the negative terminal back to factory position.
- (2) Tighten the nut to 36 in-lbs.
- (3) Do not touch the positive terminal with any tool when replacing the cable.



(b) Press the "DISP" button to display the initial search screen. (Fig. 4-2).

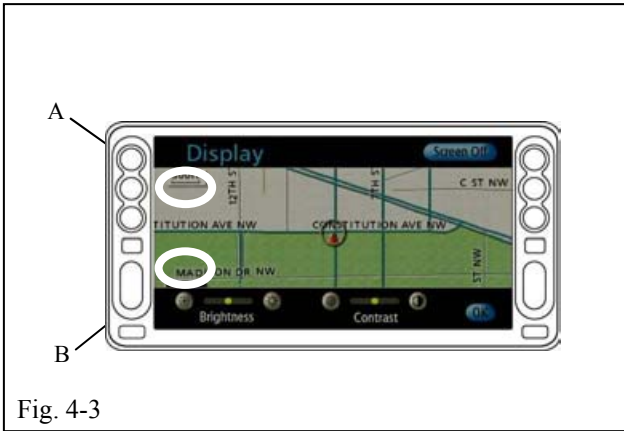


Fig. 4-3

(c) In order to display the "System Check Mode" screen, touch areas A and B, indicated on the screen, in the following order:

A→B→A→B→A→B·····(Fig. 4-3).

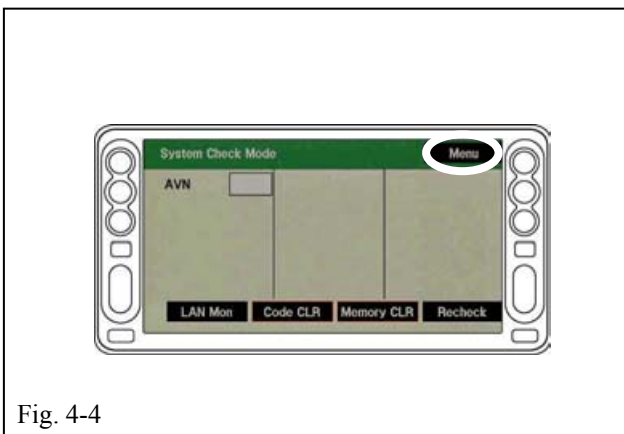


Fig. 4-4

(d) Touch "Menu" to display the "Diagnosis Menu" screen (Fig. 4-4).

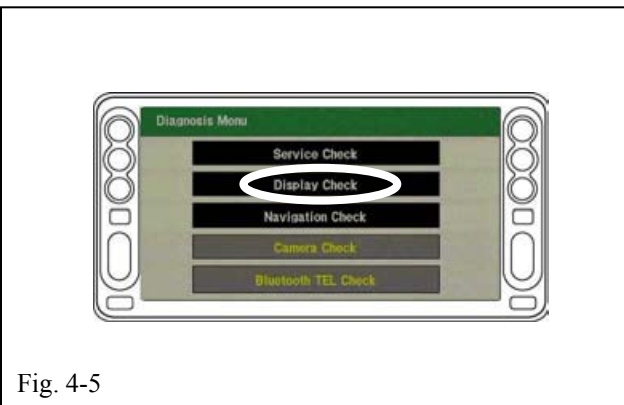


Fig. 4-5

(e) Touch "Display Check" to display the "Display Check" screen (Fig. 4-5).

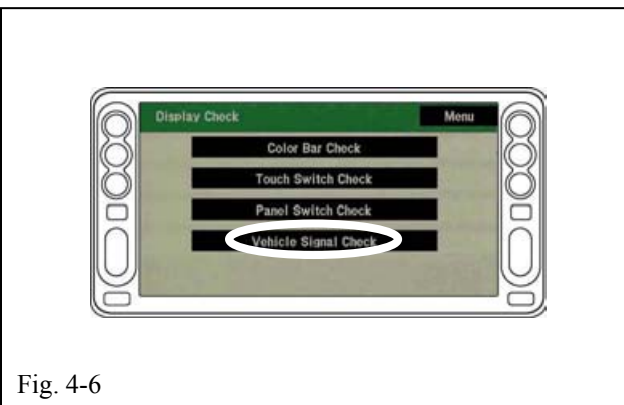


Fig. 4-6

(f) Touch "Vehicle Signal Check" to display the "Vehicle Signal Check" screen (Fig. 4-6).

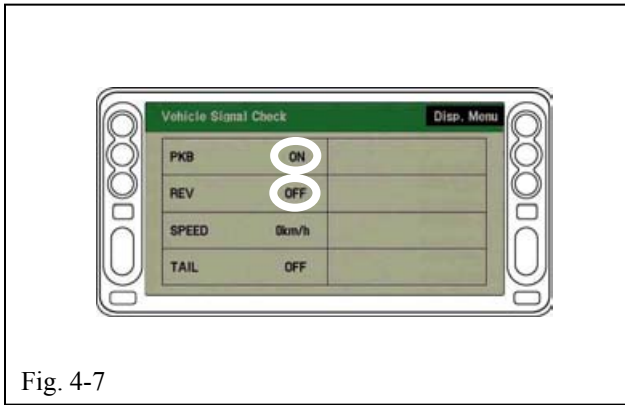


Fig. 4-7

(g) Perform the following confirmation tests by referring to the indications circled on the screen (Fig. 4-7).

PKB

- (1) When the PKB is engaged →ON
- (2) When the PKB is disengaged →OFF

REV

- (3) When the shift lever is engaged in the R position →ON
- (4) When the shift lever is engaged in any position other than R →OFF

NOTE: If the results are not as specified, check the connection again.

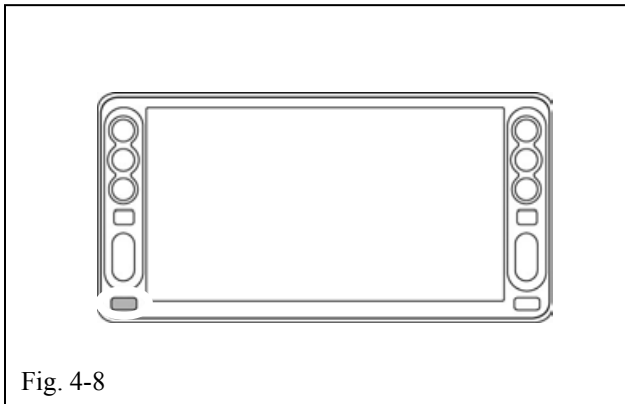


Fig. 4-8

(h) Terminate the operation by pressing the "DISP" button on the screen for more than 3 seconds (Fig. 4-8).

5. Completing the installation

(a) Complete the reassembly of the vehicle.



(1) Reconnect any disconnected connectors.



(2) Verify the panels fit together properly with no uneven gaps between them.

(b) Clean up and remove any trash.

(c) Place the owner's manual left in their protective bags, IPOD cable and DVD jewel case in the glove box.

Checklist - these points **MUST** be checked to ensure a quality installation.

Check: _____

Look For: _____

Accessory Function Checks

- Press the "MENU" button and check that the menu screen appears.
- Touch the "Volume" button and check that the volume level displayed on the volume screen changes accordingly.
- Press the "MAP/VOICE" button and check that the map screen appears.
- Touch and scroll the map displayed on the screen and check that the map can be scrolled.

Vehicle Function Checks

- Hazard Switch
- Air Conditioner
- Front Passenger Seat Belt Monitor
- Door Key Lock Monitor
- Cigarette Lighter
- Refer to your Car Owner's Manual, and return the Power Windows to their initial positions.
- Refer to your Car Owner's Manual, and return the Back Door Lock to its initial position.
- Steering wheel audio controls
- TRAC, TPMS and Combo Meter, Parking Brake and Reverse

- Functioning Hazard Switch
- Functioning Air Conditioner
- Functioning Front Passenger Seat Belt Monitor
- Functioning Door Key Lock Monitor
- Functioning Cigarette Lighter
- Auto-open and Auto-close operation of each of the Power Windows is possible with the driver's seat master switch.
- Door Lock and Unlock functions operate correctly.
- Volume, Mode and Seek function
- Ensure LED operation