

Part Number: 00016-47225

Accessory Code: MG1



Conflicts

Note:

Kit Contents

Item #	Quantity Req'd.	Description
1	1	Driver Front Mudguard
2	1	Passenger Front Mudguard
3	1	Driver Rear Mudguard
4	1	Passenger Rear Mudguard
5	1	Hardware Kit
6	1	Installation Instruction Sheet
7		
8		

Hardware Bag Contents

Item #	Quantity Req'd.	Description
1	6	#8 x 19 mm Screws
2	6	#8 Spring Clips
3		
4		
5		
6		
7		
8		

Additional Items Required For Installation

Item #	Quantity Req'd.	Description

Recommended Tools

Safety Tools	
None	
Special Tools	
None	
Installation Tools	
Drill	Right Angle
Drill Attachment	Philips #2
Wrench / Socket	10mm
Lint-Free Clean Cloth/Rag	
Pencil	
Special Chemicals	
Cleaner	VDC Approved Cleaner

Color Applicability/Trim Level

Accessory Color	Vehicle/Trim Color																				

General Applicability

2010 Prius

Recommended Sequence of Application

Item #	Accessory	
1		
2		
3		

*Mandatory

Legend

STOP: Damage to the vehicle may occur. Do not proceed until process has been complied with.

OPERATOR SAFETY: Use caution to avoid risk of injury.

CAUTION: A process that must be carefully observed in order to reduce the risk of damage to the accessory/vehicle and to ensure a quality installation.

TOOLS & EQUIPMENT: Used in Figures calls out the specific tools and equipment recommended for this process.

REVISION MARK: This mark highlights a change in installation with respect to previous issue.

SAFETY TORQUE: This mark indicates that torque is related to safety.

SPECIAL NOTE: Installation Sequences

After TMS and Safety mandated preparatory steps have been taken, the installation sequence is the suggested method for completing the accessory installation. In some instances the suggested sequence is written for one associate to install and in others the sequence is given as part of a team accessory installation. Unless otherwise stated in the document, the associates may perform the installation steps in any order to make the installation as efficient as possible while maintaining consistent quality.


Care must be taken when installing this accessory to ensure damage does not occur to the vehicle. The installation of this accessory should follow approved guidelines to ensure a quality installation.

These guidelines can be found in the "Accessory Installation Practices" document.


This document covers such items as:-

- Vehicle Protection (use of covers and blankets, cleaning chemicals, etc.).
- Safety (eye protection, rechecking torque procedure, etc.).
- Vehicle Disassembly/Reassembly (panel removal, part storage, etc.).
- Electrical Component Disassembly/Reassembly (battery disconnection, connector removal, etc.).


1. Clean Front & Rear Mounting Areas

 (a) Clean and degrease front and rear body panels where mudguard is to be located using VDC Approved Cleaner.


- (1) Shake VDC Approved Cleaner well.
- (2) Always use a clean, dry lint-free cloth.
- (3) Apply VDC Approved Cleaner directly to cloth, do not apply directly to vehicle. (Fig. 1-1)

 (4) Clean surface thoroughly and wipe dry with a new, clean cloth. Do not allow cleaner to air dry.

2. Remove Existing Front Factory Screw

 (a) Using a 10mm wrench / socket, remove existing front screw, location A. DO NOT DISCARD. (Fig. 2-1)

3. Prepare Front Mudguard

 (a) Align mudguard into position on the body panel; ensure mudguard is seated and the existing screw hole lines up correctly.

(b) Mark the location of the mudguard screw hole, location B, using the part as a template, with a pencil. (Fig. 3-1)

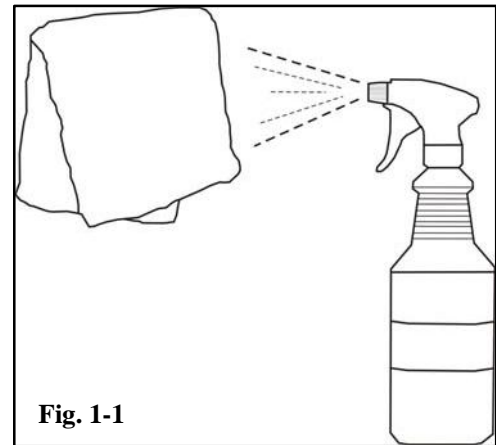


Fig. 1-1

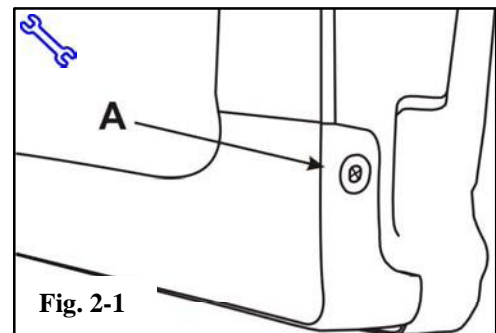


Fig. 2-1

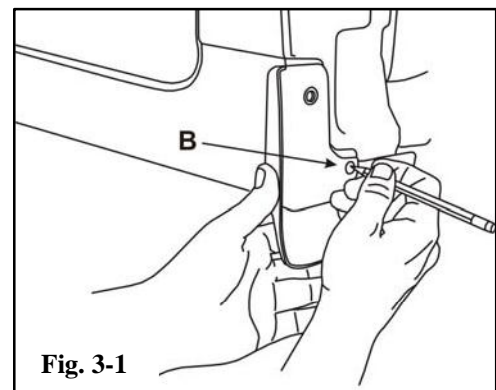


Fig. 3-1

4. Install Front Spring Clips

- ⚠ (a) Install supplied spring clips over panel edge holes and hole markings with turned up edge on inside of panel. Location B. (Fig. 4-1)

5. Install Front Mudguard

- ⚠ (a) Remove tape liner using 3M pull tabs. (Fig. 5-1)
- (b) Align mudguard into position, press firmly to ensure tape fully adheres.
- ⚠ (c) Re-Install existing factory screws, location A, while holding part up and into body panel. (Fig. 5-1)
- ⚠ (d) **IMPORTANT:** Ensure mudguard is seated properly before installing supplied screw. If holes are too low, gapping will occur.
- ⛔ (e) Using a right angle drill, install supplied 19 mm self tapping screw into location B, while holding part up and into body panel. Do not over tighten. (Fig. 5-2)
- (f) Repeat procedure for other side.

6. Prepare Rear Mudguard

- (a) Align mudguard into position on the body panel; ensure mudguard is seated correctly.
- ⚠ (b) Mark the location of the mudguard screw holes, locations A and B, using the part as a template, with a pencil. (Fig. 6-1)

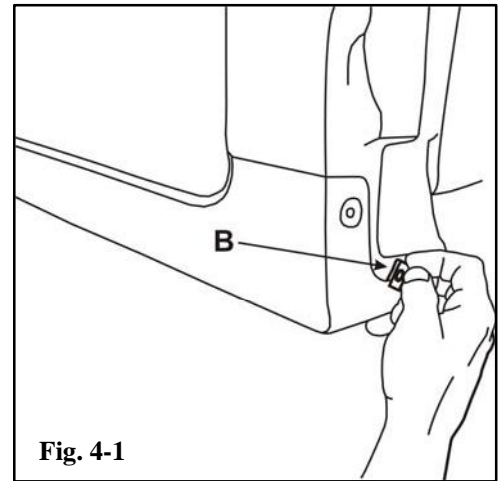


Fig. 4-1

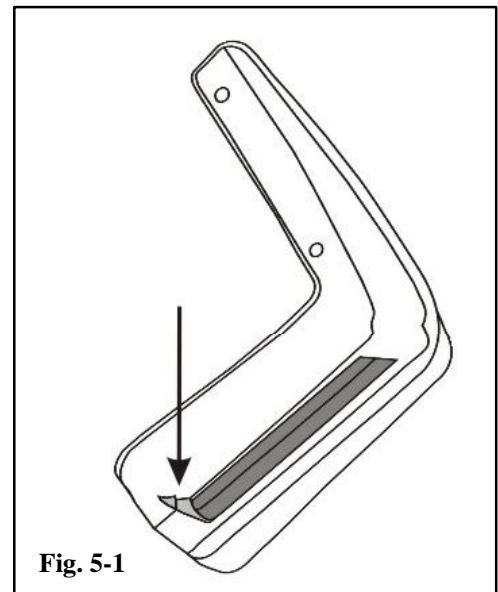


Fig. 5-1

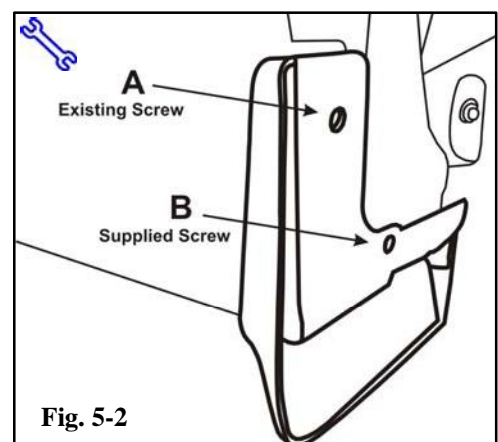






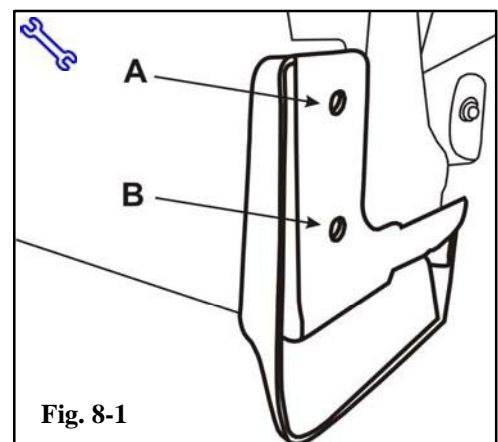
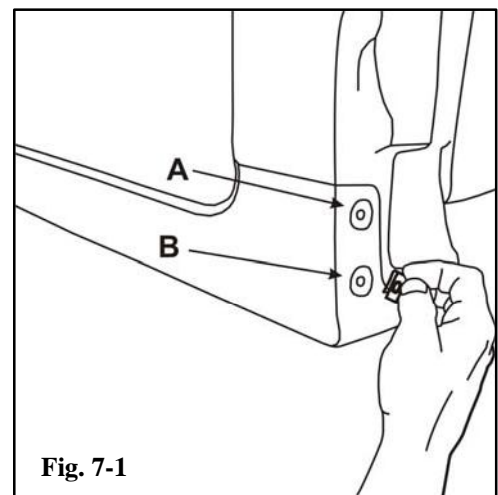
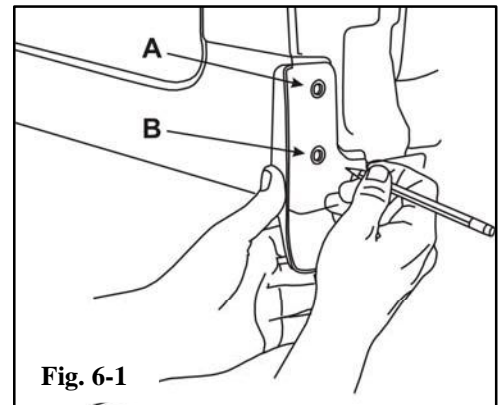
Fig. 5-2

7. Install Rear Spring Clips

-  (a) Install supplied spring clips over panel edge holes and hole markings with turned up edge on inside of panel. Location A and B. (Fig. 7-1)

8. Install Rear Mudguard

-  (a) Remove tape liner using 3M pull tabs.
- (b) Align mudguard into position, press firmly to ensure tape fully adheres.
-  (c) **IMPORTANT:** Ensure mudguard is seated properly before installing supplied screws. If holes are too low, gapping will occur.
-  (d) Using a right angle drill, install supplied 19 mm self tapping screws into location A and B, while holding part up and into body panel. Do not over tighten. (Fig. 8-1)
- (e) Repeat procedure for other side.



Checklist - these points **MUST** be checked to ensure a quality installation.

Check:

Look For:

Accessory Function Checks:

Gaps between mudguards and body side.

Excessive gaps greater than 1.0 mm.