

**TOYOTA**

**PRIUS**

**2010 -**

**SPIDER NET**

Preparation

**Part Number: 00016-47110**

**Accessory Code: PC9**



**Kit Contents**

Item #	Quantity Req'd.	Description
1	1	Cargo Net
2	1	Installation Instructions
3		

**Hardware Bag Contents**

Item #	Quantity Req'd.	Description
1		
2		
3		

**Additional Items Required For Installation**

Item #	Quantity Req'd.	Description
1		
2		
3		

**Conflicts**

--

**Recommended Tools**

<b>Personal &amp; Vehicle Protection</b>	<b>Notes</b>
<b>Special Tools</b>	<b>Notes</b>
<b>Installation Tools</b>	<b>Notes</b>
<b>Special Chemicals</b>	<b>Notes</b>

**General Applicability**

--

**Recommended Sequence of Application**

Item #	Accessory
1	
2	
3	

\*Mandatory

**Legend**

**STOP:** Damage to the vehicle may occur. Do not proceed until process has been complied with.

**OPERATOR SAFETY:** Use caution to avoid risk of injury.

**CAUTION:** A process that must be carefully observed in order to reduce the risk of damage to the accessory/vehicle and to ensure a quality installation.

**TOOLS & EQUIPMENT:** Used in Figures calls out the specific tools and equipment recommended for this process.

**REVISION MARK:** This mark highlights a change in installation with respect to previous issue.

**SAFETY TORQUE:** This mark indicates that torque is related to safety.

**SPECIAL NOTE: Installation Sequences**

After TMS and Safety mandated preparatory steps have been taken, the installation sequence is the suggested method for completing the accessory installation. In some instances the suggested sequence is written for one associate to install and in others the sequence is given as part of a team accessory installation. Unless otherwise stated in the document, the associates may perform the installation steps in any order to make the installation as efficient as possible while maintaining consistent quality.

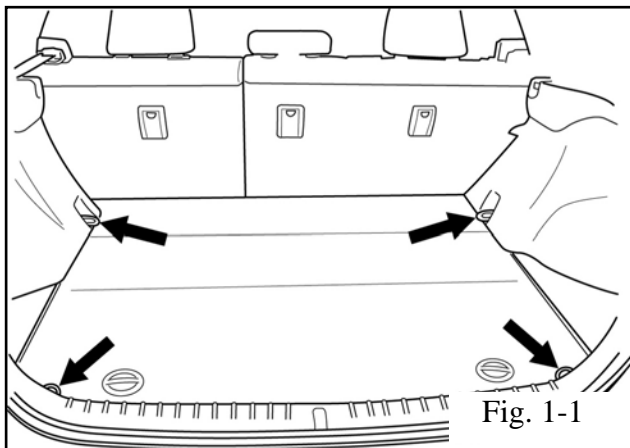
## Procedure

Care must be taken when installing this accessory to ensure damage does not occur to the vehicle. The installation of this accessory should follow approved guidelines to ensure a quality installation.

These guidelines can be found in the "Accessory Installation Practices" document.

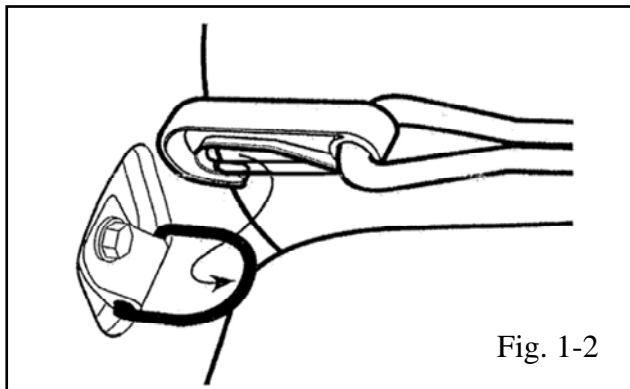
This document covers such items as:-

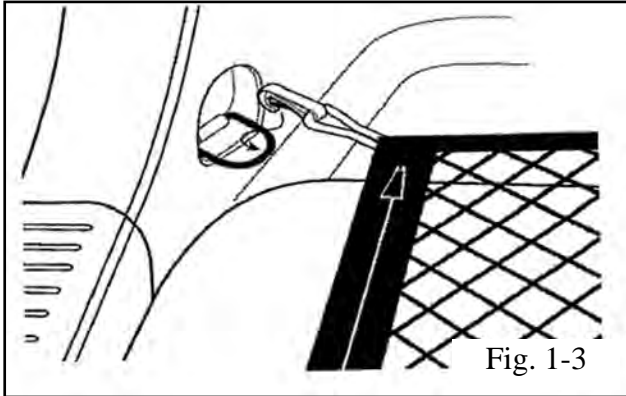
- Vehicle Protection (use of covers and blankets, cleaning chemicals, etc.).
- Safety (eye protection, rechecking torque procedure, etc.).
- Vehicle Disassembly/Reassembly (panel removal, part storage, etc.).
- Electrical Component Disassembly/Reassembly (battery disconnection, connector removal, etc.).



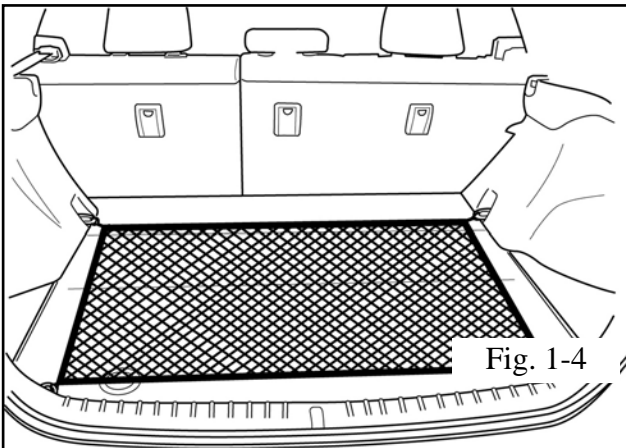
### 1. Installation of Cargo Net

- (a) Locate the four attachment points in the vehicle as shown (D-rings). (Fig. 1-1)
- (b) Lay out the net so that the long edge is toward the front of the vehicle and shorter parallel edge is at the rear of the vehicle with the hooks face down. Starting at the driver's side attach the hook at the front of the net to the D-ring as shown. (Fig. 1-2)





- (c) Attach the hook at the rear of the net to the D-ring as shown. (Fig. 1-3)
- (d) Attachment complete for the driver's side. Repeat steps for passenger's side of the vehicle.



- (e) Completed assembly. (Fig. 1-4)

Checklist - these points **MUST** be checked to ensure a quality installation.

Check:

Look For:

Accessory Function Checks

- Confirm that the net is attached properly to the anchor points in the vehicle.

Hooks are attached to the D-rings.