

Preparation

**Part Number: 00016-42714**  
**Code: MG4**



**Kit Contents**

Item #	Quantity Reqd.	Description
1	1	Front Passenger Side Mudguard
2	1	Front Driver Side Mudguard
3	1	Rear Passenger Side Mudguard
4	1	Rear Driver Side Mudguard
5	1	Hardware Kit
6	1	Instruction Sheet

**Hardware Bag Contents**

Item #	Quantity Reqd.	Description
1	8	#14 x 19 mm Screws
2	6	#10 x 19 mm Screws
3	4	#10 Spring Clips
4	2	#10 Plastic inserts

**Additional Items Required For Installation**

Item #	Quantity Reqd.	Description
1		
2		
3		

**Conflicts**

Note: Ground effects

**Recommended Tools**

Personal & Vehicle Protection	Notes
None	
Special Tools	Notes
None	
Installation Tools	Notes
Screwdriver	Phillips #2 & 3, Slot
Drill	Standard/Right Angle
Drill Bit	6 mm ( 1/4" )
Socket/Driver	8mm (5/16")
Clean Cloth Rag	
Special Chemicals	Notes
Cleaner	Alcohol/water solution

**General Applicability**

RAV4 Base & Limited without Flares

**Recommended Sequence of Application**

Item #	Accessory
1	
2	
3	

\*Mandatory

**Vehicle Service Parts** (may be required for reassembly)

Item #	Quantity Reqd.	Description
1		
2		
3		

**Legend**

**STOP:** Damage to the vehicle may occur. Do not proceed until process has been complied with.

**OPERATOR SAFETY:** Use caution to avoid risk of injury.

**CAUTION:** A process that must be carefully observed in order to reduce the risk of damage to the accessory/vehicle and to ensure a quality installation.

**TOOLS & EQUIPMENT:** Used in Figures calls out the specific tools and equipment recommended for this process.

**REVISION MARK:** This mark highlights a change in installation with respect to previous issue.

**SPECIAL NOTE: Installation Sequences**

After **TMS** and **Safety** mandated preparatory steps have been taken, the installation sequence is the suggested method for completing the accessory installation. In some instances the suggested sequence is written for one associate to install and in others the sequence is given as part of a team accessory installation. Unless otherwise stated in the document, the associates may perform the installation steps in any order to make the installation as efficient as possible while maintaining consistent quality. Also some items listed to be removed may not need to be removed if caution is taken to not damage vehicle.

**Procedure**

Care must be taken when installing this accessory to ensure damage does not occur to the vehicle. The installation of this accessory should follow approved guidelines to ensure a quality installation.

These guidelines can be found in the "Accessory Installation Practices" document.

This document covers such items as:-

Vehicle Protection (use of covers and blankets, cleaning chemicals, etc.).

Safety (eye protection, rechecking torque procedure, etc.).

Vehicle Disassembly/Reassembly (panel removal, part storage, etc.).

Electrical Component Disassembly/Reassembly (battery disconnection, connector removal, etc.).

**1. Clean Front Mounting Area**

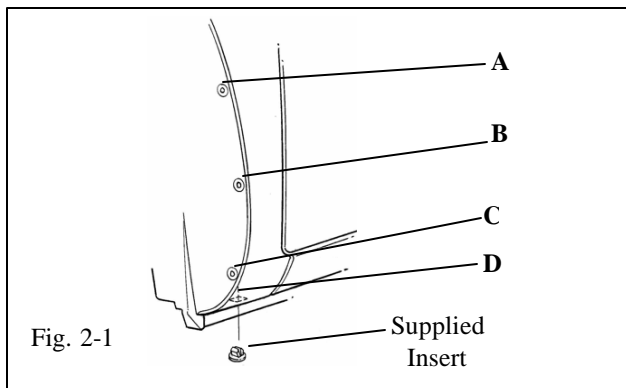


- (a) Clean mounting area with 50/50 Alcohol/Water solution.

**2. Installation of Insert.**



- (a) Install supplied plastic insert into square hole location D. (Fig. 2-1).

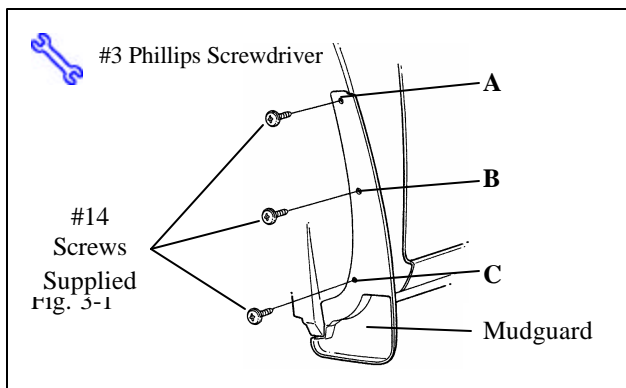


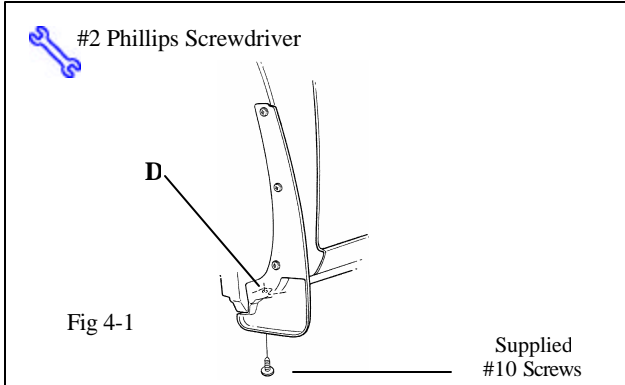
**3. Installation of Front Mudguard**



- (a) Mount mudguard on body panel and install supplied #14 screws in locations A, B and C while holding part tight against body (Fig. 3-1).

NOTE: Gap tolerance "not greater than 1 mm".





#### 4. Installation of Lower Mount Hole

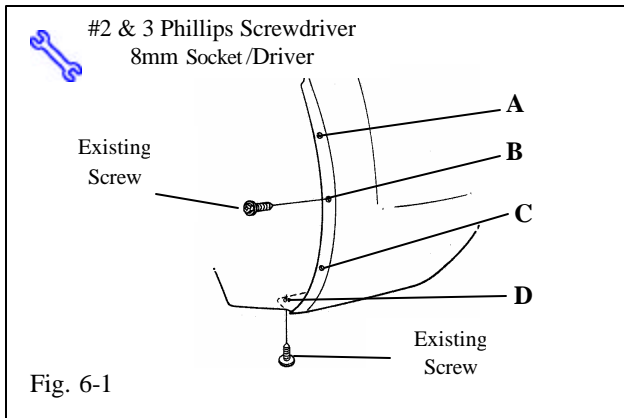


- (a) Install supplied #10 screw in location D while holding part tight against body (Fig 4-1).
- (b) Repeat procedure for other side.



#### 5. Clean Rear Mounting Area

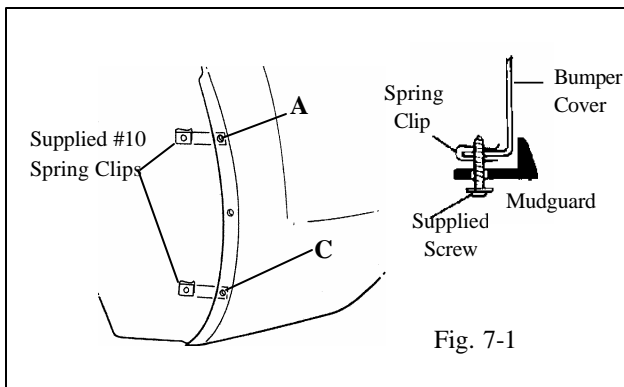
- (a) Clean mounting area with 50/50 Alcohol/Water solution.



#### 6. Identification of Rear Mount Holes



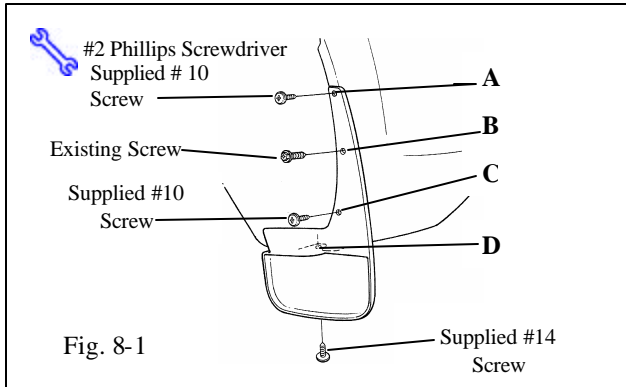
- (a) Identify existing mount holes locations B and D.
- (b) Remove existing screw location B, do not discard (Fig 6-1).
- (c) Remove existing screw location D and discard. (Fig 6-1).



#### 7. Identification of Rear Mount Holes



- (a) Install spring clips with turned up edge on inside of bumper body panel at locations A and C. (Fig 7-1).



## 8. Installation of Rear Mudguard



- (a) Mount mudguard on body panel and install existing screw in location B and supplied #14 screw in location D while holding part tightly against body. (Fig 8-1).
- (b) While holding part at locations A and C tightly against body, install supplied #10 screws in locations A and C. (Fig 8-1).
- (c) Repeat procedure for other side.

**NOTE:** Gap tolerance “not greater than 1 mm”.