

Preparation

Part Number: 00016-42116

Code: CM2



Kit Contents

Item #	Quantity Req'd.	Description
1	1	AD Mirror Assembly w/ Compass
2	1	Hardware bag

Special Chemicals	Notes
Cleaner	Household Windex

Hardware Bag Contents

Item #	Quantity Req'd.	Description
1	1	T-tap Connectors, Red 3M™
2	1	Wire Cover
3	1	EC Wire Harness
4	4	Tie Wraps
5	1	Operation Instruction Card

General Applicability

Sunroof models only

Recommended Sequence of Application

Item #	Accessory
1	TVIP
2	Satellite Receiver
3	Audio
4	EC Mirror

*Mandatory

Additional Items Required For Installation

Item #	Quantity Req'd.	Description
1		

Vehicle Service Parts (may be required for reassembly)

Item #	Quantity Req'd.	Description
1		

Conflicts

Vehicles without sunroof.

Recommended Tools

Personal & Vehicle Protection	Notes
Blankets, Towels	
Special Tools	Notes
None	
Installation Tools	Notes
Screwdriver	Phillips #2
Ratchet	
Socket	10 mm
Torx Head Driver	T20
Pliers	Needle Nose
Nylon Panel Removal Tool	e.g. Panel Pry Tool #1 Toyota SST# 00002-06001-01
Dark Towel or Cloth	For Testing
Torque Wrench	36 lbf-in
Scissors	
Side Cutters	

Legend

- STOP:** Damage to the vehicle may occur. Do not proceed until process has been complied with.
- OPERATOR SAFETY:** Use caution to avoid risk of injury.
- CAUTION:** A process that must be carefully observed in order to reduce the risk of damage to the accessory/vehicle and to ensure a quality installation.
- TOOLS & EQUIPMENT:** Used in Figures calls out the specific tools and equipment recommended for this process.
- REVISION MARK:** This mark highlights a change in installation with respect to previous issue.

SPECIAL NOTE: Installation Sequences

After **TMS** and **Safety** mandated preparatory steps have been taken, the installation sequence is the suggested method for completing the accessory installation. In some instances the suggested sequence is written for one associate to install and in others the sequence is given as part of a team accessory installation. Unless otherwise stated in the document, the associates may perform the installation steps in any order to make the installation as efficient as possible while maintaining consistent quality.

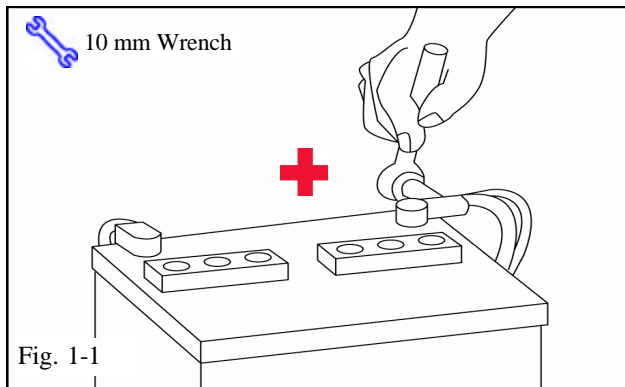
Procedure

Care must be taken when installing this accessory to ensure damage does not occur to the vehicle. The installation of this accessory should follow approved guidelines to ensure a quality installation.


These guidelines can be found in the "Accessory Installation Practices" document.

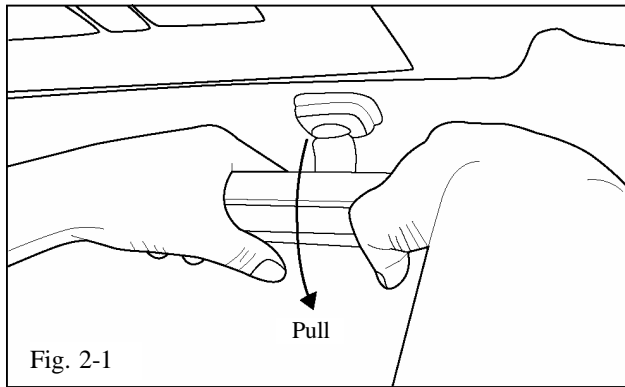
This document covers such items as:-

- Vehicle Protection (use of covers and blankets, cleaning chemicals, etc.).
- Safety (eye protection, rechecking torque procedure, etc.).
- Vehicle Disassembly/Reassembly (panel removal, part storage, etc.).
- Electrical Component Disassembly/Reassembly (battery disconnection, connector removal, etc.).



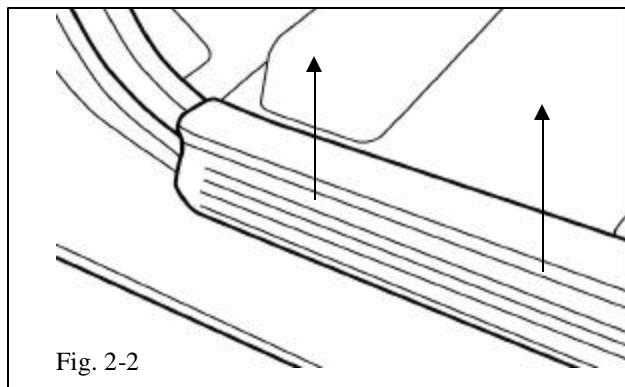
1. Remove Battery Cable.

- (a) Protect fender before starting.
-  (b) Do not touch the positive terminal with any tool when removing cable.
- (c) Remove the negative battery cable. (Fig. 1-1)



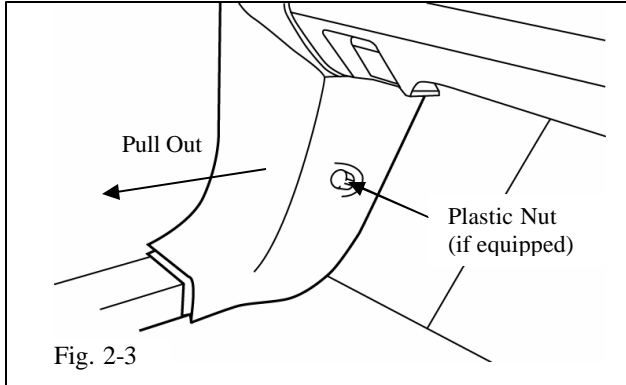
2. Vehicle Disassembly.

- (a) Remove OE mirror and discard.
 - (1) With both hands, grab Mirror firmly on both sides and pull downward sharply until mount releases from windshield button. (Fig. 2-1)

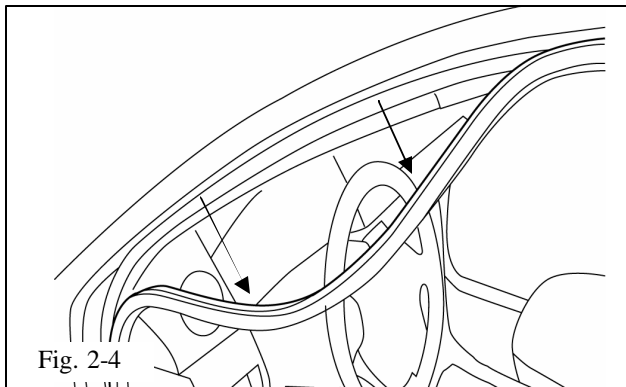


- (b) Remove scuff plate. (Fig. 2-2)

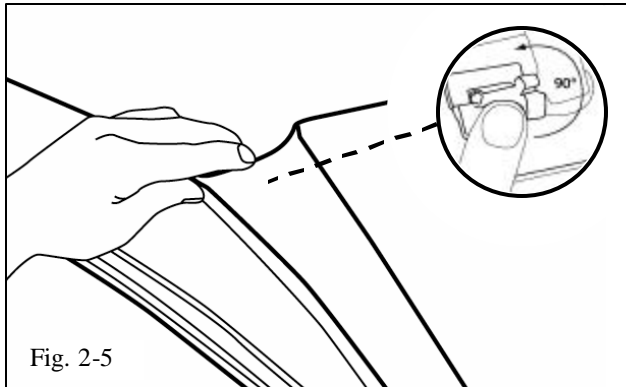
Procedure



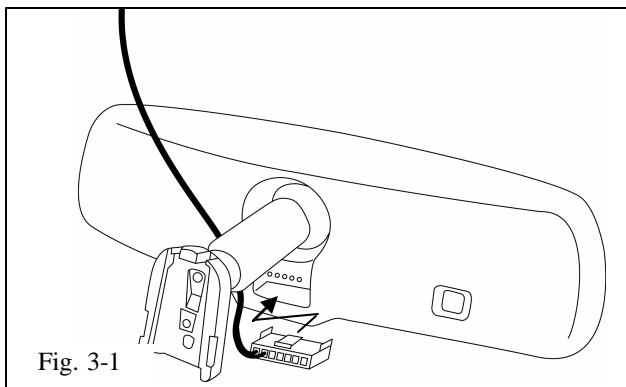
- (c) Remove driver-side cowl cover.
 - (1) Unscrew plastic nut from cowl cover (Fig. 2-3)
 - (2) Grasp rear of cowl cover and pull out towards the rear of vehicle. (Fig. 2-3)



- (d) Pull weather-stripping down past top of A-pillar. (Fig. 2-4)

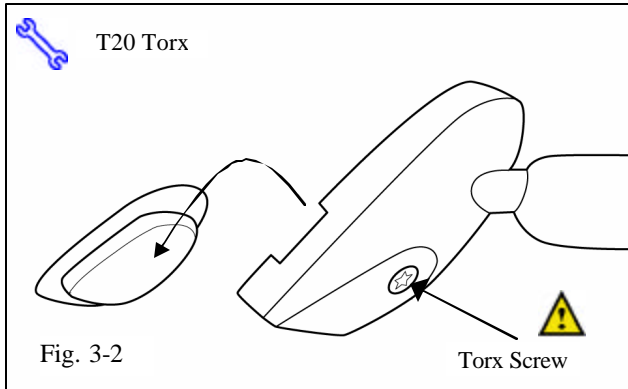


- (e) Remove A-pillar trim. (Fig. 2-5)
 - (1) Pull top of A-pillar trim out.
 - (2) Rotate A-pillar trim retainer 90° and disengage from A-pillar trim.
 - (3) Pull base of A-pillar trim out towards rear of vehicle to remove.



- 3. Install EC Mirror.**
 - (a) Plug harness into mirror. (Fig. 3-1)

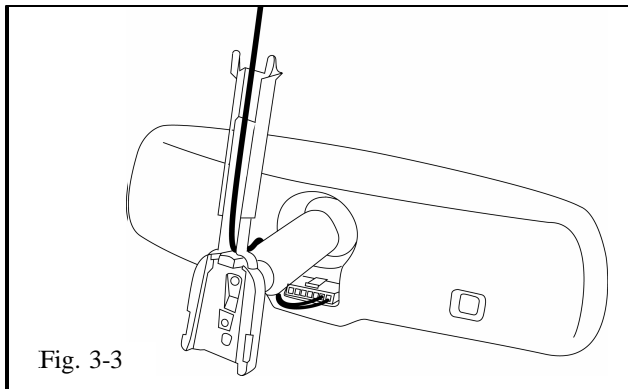
Procedure



(b) Slide the EC mirror onto the mounting button on windshield. (Fig. 3-2)

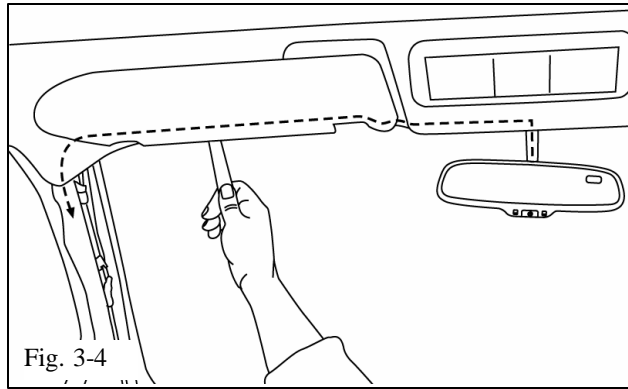


(c) Tighten the screw in the mirror mounting bracket with torque wrench to 1.75 N-m (15.5 lbf-in).

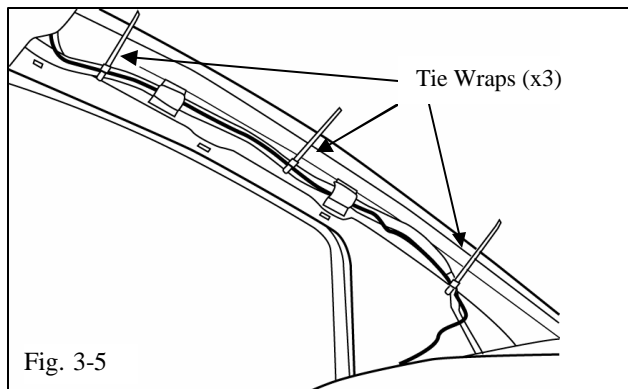


(d) Slide the wire harness cover over the wire harness and extend to completely cover wire harness. (Fig. 3-3)

- (1) Be sure the bottom of cover is securely mounted to base.
- (2) Be sure top of cover is fully extended into headliner.
- (3) Be sure the mirror has full range of movement.

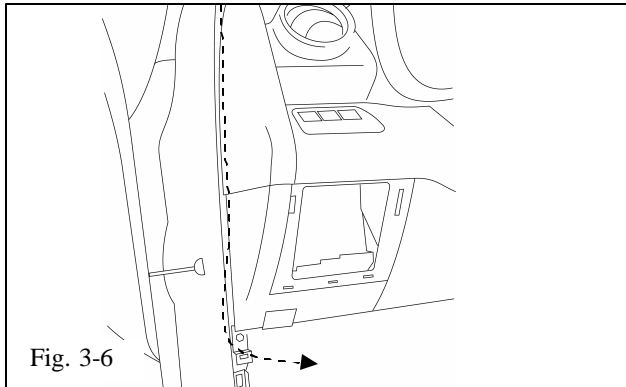


(e) Route harness between headliner and roof, to top of driver-side A-pillar. (Fig. 3-4)

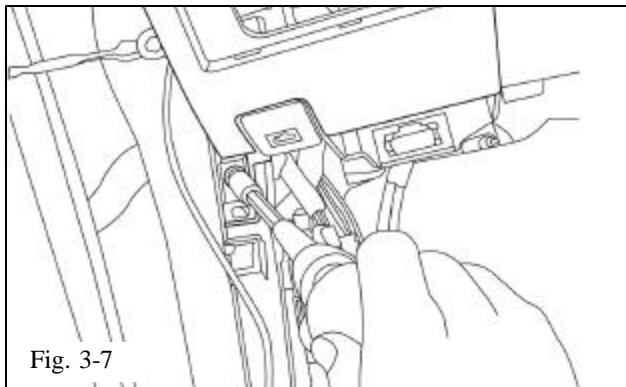


(f) Route harness down A-pillar along factory harness and secure with 3 tie-wraps. (Fig. 3-5)

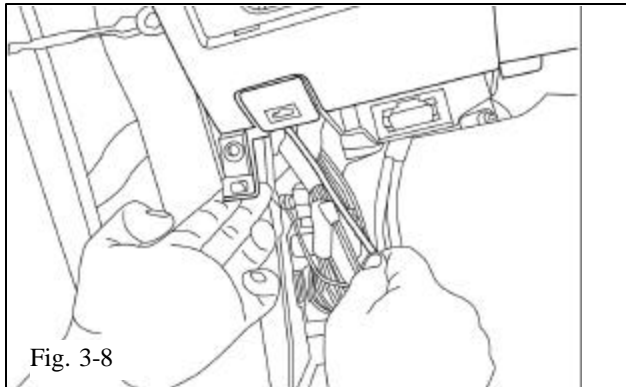
Procedure



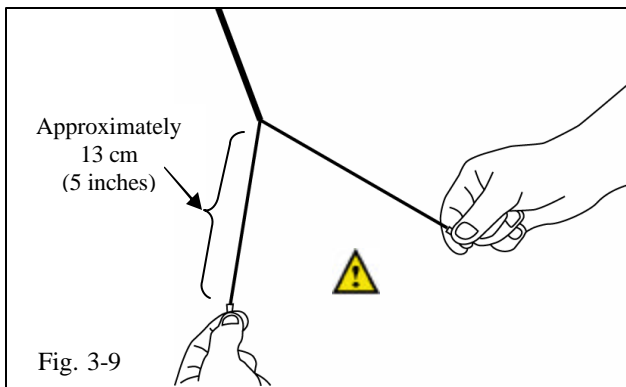
- (1) Route harness through center dash panel. (Fig. 3-6)



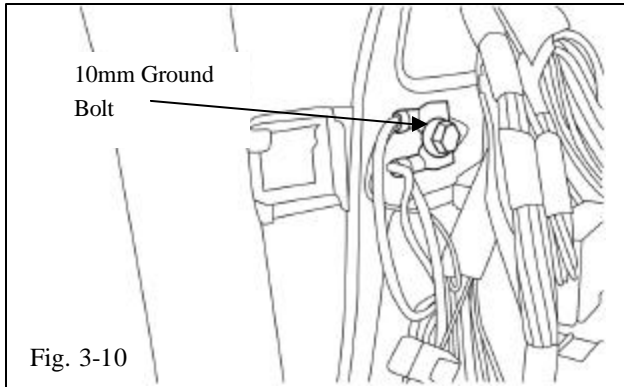
- (g) Remove 10 mm bolt from lower dash trim. (Fig. 3-7)



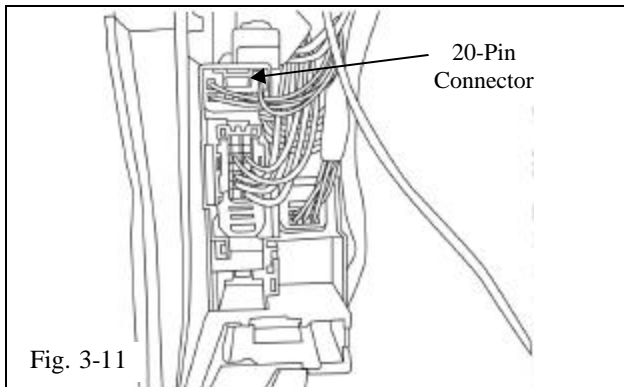
- (h) Route harness behind lower dash trim fastening point and into cowl area. (Fig. 3-8)



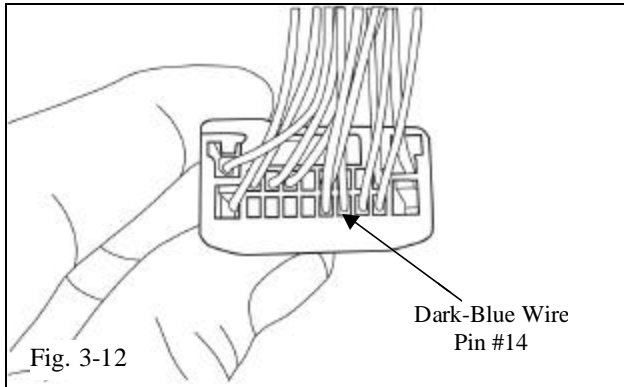
- (i) Pull EC harness wires apart approximately 13 cm (5 inches). (Fig. 3-9)



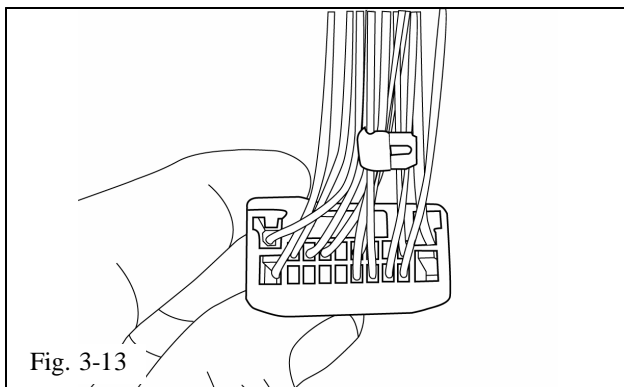
- (j) Connect ring terminal from EC mirror harness to 10 mm ground bolt in cowl area. (Fig. 3-10)



- (k) Remove 20-pin connector from junction block. (Fig. 3-11)

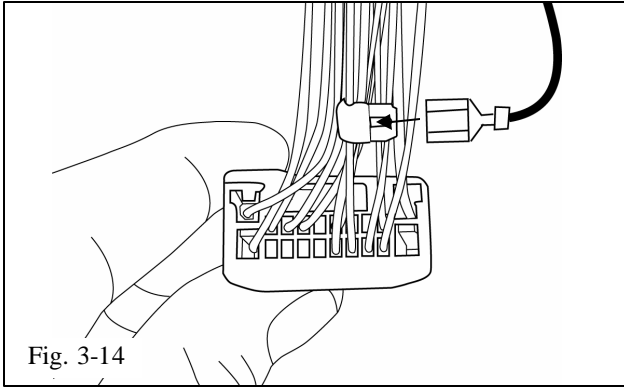


- (l) Locate the Dark-Blue wire in pin #14. (Fig. 3-12)

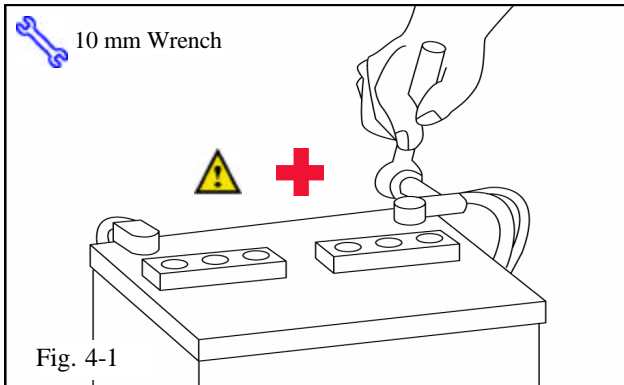


- (m) Attach T-tap to Dark-Blue wire. (Fig. 3-13)
- (n) Attach T-tap to blue wire in pin #14.

Procedure



- (o) Connect EC harness to T-tap. (Fig. 3-14)
- (p) Secure any excess EC harness to factory wire bundle with one tie wrap.
- (q) Reinstall 20-pin connector.



4. Reconnect Negative Battery Cable.

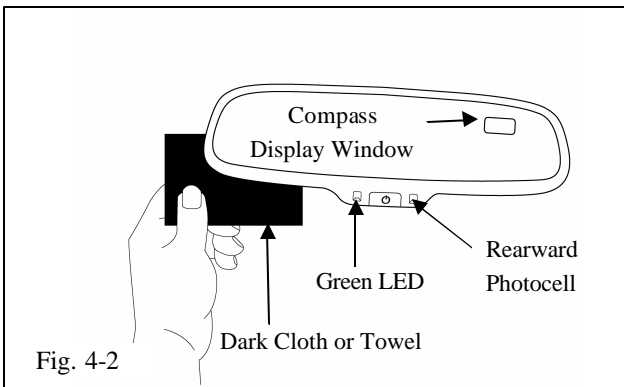
- (a) Reconnect the vehicle's negative battery cable. (Fig. 4-1)



- (1) Tighten the nut to 36 lbf-in.
- (2) Do not touch the positive terminal with any tool when replacing the cable.

5. Testing.

- (a) Turn ignition switch to ON.
- (b) With the vehicle in a fairly well lit area, perform the following test:
- (c) Auto Dimming Feature:
 - (1) To make sure the auto-dimming feature is on, verify that the LED indicator light is on. If it is not on, push the "On/Off" button for 3 seconds, or until the LED is illuminated.
 - (2) Cover the forward-looking light sensor located on the back of the mirror with a dark cloth or towel. (Fig. 4-2)
 - (3) In a few seconds, the mirror will begin to darken (time may vary with ambient light levels).



(4) Remove the cover from the forward-looking light sensor and the mirror will begin to clear.

(d) Compass Feature:

(1) Push and release the "On/Off" button in less than 3 seconds to toggle the directional heading display On and Off.

(2) Compass is enabled when a direction or a "C" appears in the mirror display window.

(3) Turn ignition OFF.

6. Final Assembly.

(a) Place the operation instruction card in the vehicle glove box.

(b) Remove fingerprints, smudges, dirt, etc. from mirror and windshield with Household Windex.

(1) When cleaning with Household Windex, follow the manufacturer's directions. Do not allow cleaner to air dry.

(c) Verify each reinstalled component for proper fit and function.

Checklist - these points **MUST** be checked to ensure a quality installation.

Check:

Look For:

Accessory Function Checks

Vehicle should be in a fairly well lit area.

Turn ignition (ACC power) to ON.

Auto-dimming feature:

- Cover the forward-looking light sensor (located below the wire harness connection on the back of the mirror).

Mirror clears:

- Remove cover from photocell.

Compass Feature:

- Push the "ON/Off" Button.

- Operation Instruction Card

Verify green LED is on. If it is not ON press On / Off button - confirm LED is ON.


Verify mirror darkens.

Mirror returns to clear state.

"C" is displayed.

Placed in the vehicle glove box.

Vehicle Function Checks

- Check dome light
- Check Sunroof
-  Check battery negative cable

Verify dome light functions properly.

Verify sunroof functions properly.

Nut should be tightened to 36 lbf-inch.