

**TOYOTA CAMRY 2012- EC REARVIEW MIRROR W/ HOMELINK**

Part Number: 00016-32012

Accessory Code: CM3



**Conflicts**

None
------

Special Chemicals	Notes
Cleaner	VDC approved

**Kit Contents**

Item #	Quantity	Description
1	1	EC Mirror w/ Compass & Homelink®
2	1	Hardware Bag

**Recommended Sequence of Application**

Item #	Accessory
1	EC Mirror

**Hardware Bag Contents**

Item #	Quantity	Description
1	3	Foam Tape
2	1	Operation Instruction Card
3	1	Homelink® Programming Guide
4	1	Wire Harness
5	1	Wire Cover

**Vehicle Service Parts** (may be required for reassembly)

Item #	Part #	Description

**General Applicability**

Camry
-------

**Additional Items**

Item #	Part #	Description

**Recommended Tools**

Personal & Vehicle Protection	Notes
Blankets, Towels	
Special Tools	Notes
None	
Installation Tools	Notes
Ratchet	
Socket	10mm
Torx Head Driver	T20
Nylon Panel Removal Tool	e.g. Panel Pry Tool #1 Toyota SST#00002-06001-01
Dark Towel or Cloth	For Testing
Torque Wrench	48 in-lbs

**Legend**

**STOP:** Damage to the vehicle may occur. Do not proceed until process has been complied with.

**OPERATOR SAFETY:** Use caution to avoid risk of injury.

**CAUTION:** A process that must be carefully observed in order to reduce the risk of damage to the accessory / vehicle and to ensure a quality installation.

**TOOLS & EQUIPMENT:** Used in figures calls out the specific tools and equipment recommended for this process.

**REVISION MARK:** This mark highlights a change in installation with respect to previous issue.

**SPECIAL NOTE: Installation Sequences**

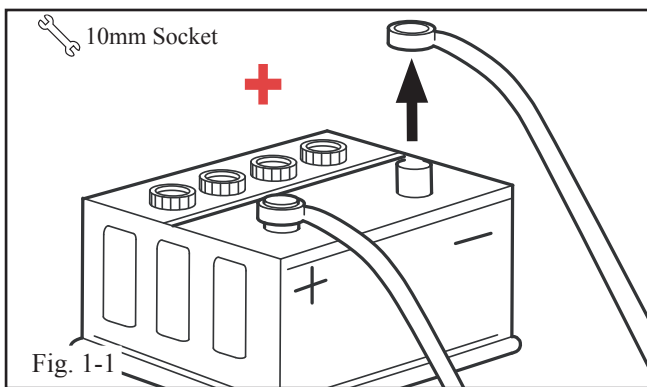
After TMS and Safety mandated preparatory steps have been taken, the installation sequence is the suggested method for completing the accessory installation. In some instances the suggested sequence is written for one associate to install and in others the sequence is given as part of a team accessory installation. Unless otherwise stated in the document, the associates may perform the installation steps in any order to make the installation as efficient as possible while maintaining consistent quality.

Care must be taken when installing this accessory to ensure damage does not occur to the vehicle. The installation of this accessory should follow approved guidelines to ensure a quality installation.

These guidelines can be found in the “Accessory Installation Practices” document.

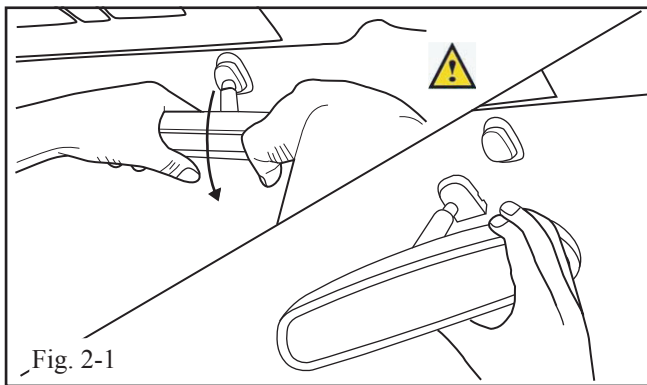
This document covers such items as:

- Vehicle Protection (use of covers and blankets, cleaning chemicals, etc.).
- Safety (eye protection, rechecking torque procedure, etc.).
- Vehicle Disassembly/Reassembly (panel removal, part storage, etc.).
- Electrical Component Disassembly/Reassembly (battery disconnection, connector removal, etc.).



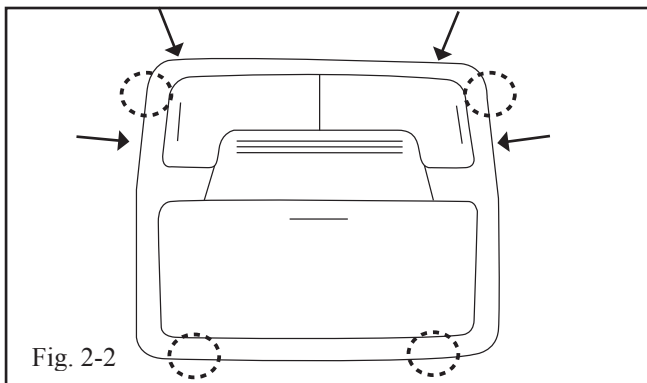
**1. Remove Battery Cable**

- (a) Protect fender before starting.
- (b) Do not touch the positive terminal with any tool when removing cable.
- (c) Remove the negative battery cable. (Fig. 1-1)

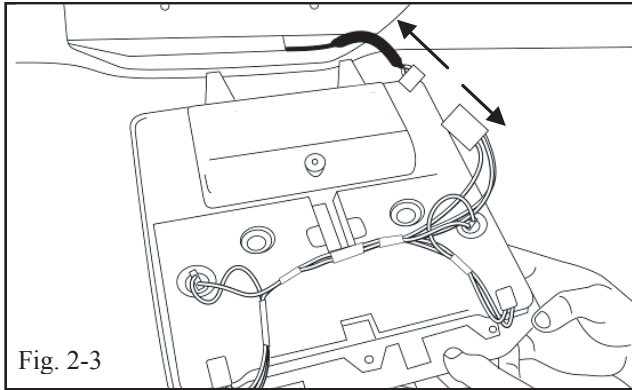


**2. Vehicle Disassembly**

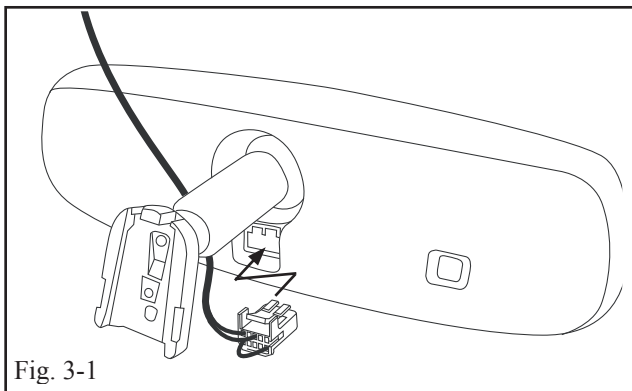
- (a) Remove OE mirror and discard. (Fig. 2-1)
- (1) Refer to the vehicle repair manual to remove the existing mirror.



- (b) Remove overhead console.
- NOTE:** Make sure hands are clean prior to working with headliner. Headliner is easily scuffed or marred. Use great care when contacting the headliner.
  - (1) Place fingers between panel lip and headliner and pull straight down at the rear and sides of overhead console to disengage.
  - (2) Clips are very tight. Replace broken clips (PN - 90467-A0033).

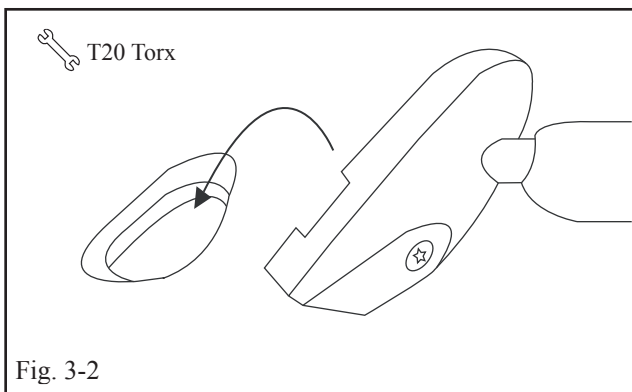


- (c) Disconnect overhead console connector. (Fig. 2-3)

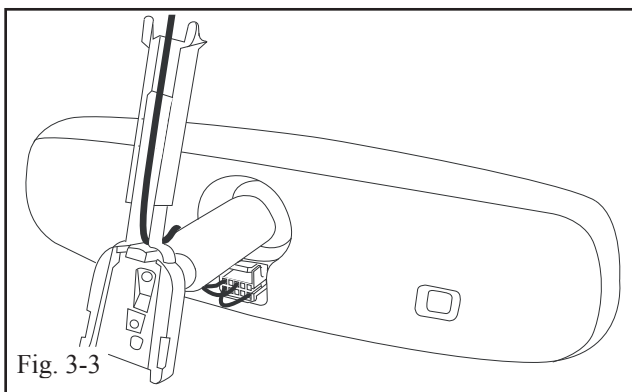


**3. Install EC Mirror**

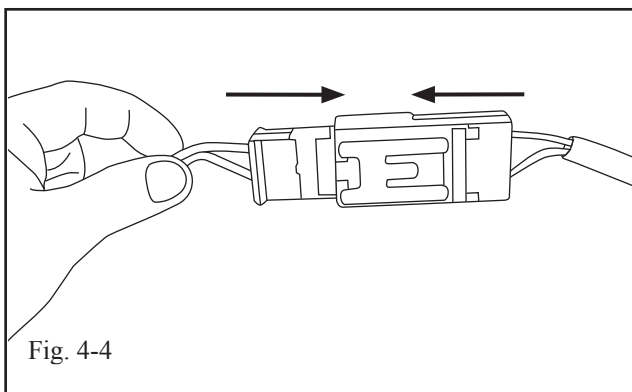
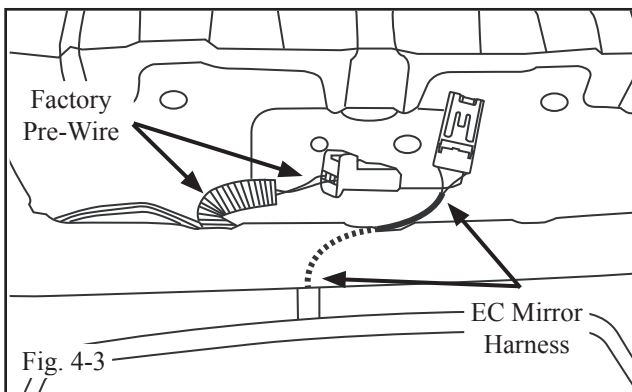
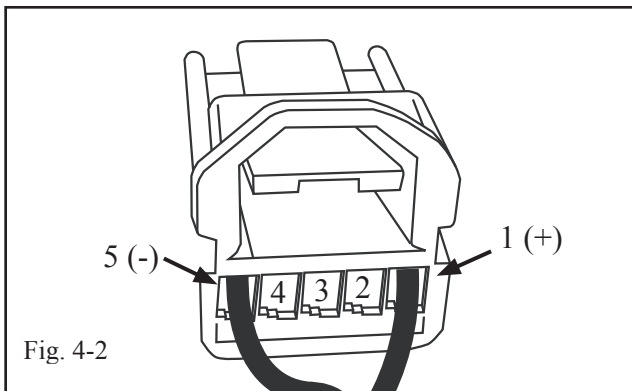
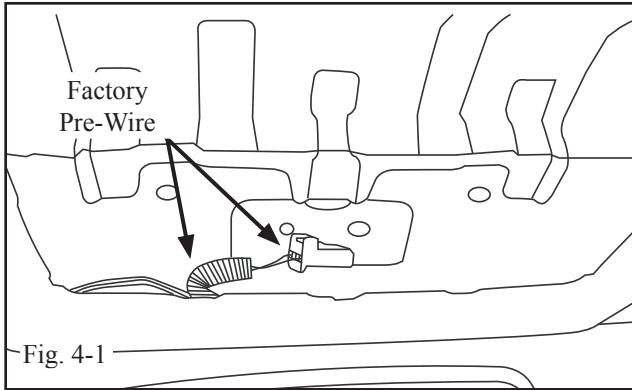
- (a) Plug harness into mirror. (Fig. 3-1)



- (b) Slide the EC mirror onto the mounting button on windshield. (Fig. 3-2)
- (c) Tighten the screw in the mirror mounting bracket.

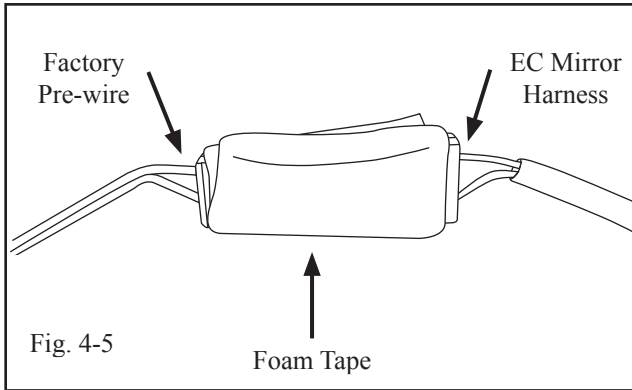


- (d) Slide the wire harness cover over the wire harness and extend to completely cover the wire harness. (Fig. 3-3)
  - (1) Be sure the bottom of cover is securely mounted to base.
  - (2) Be sure top of cover is fully extended into headliner.
  - (3) Be sure the mirror has full range of movement.



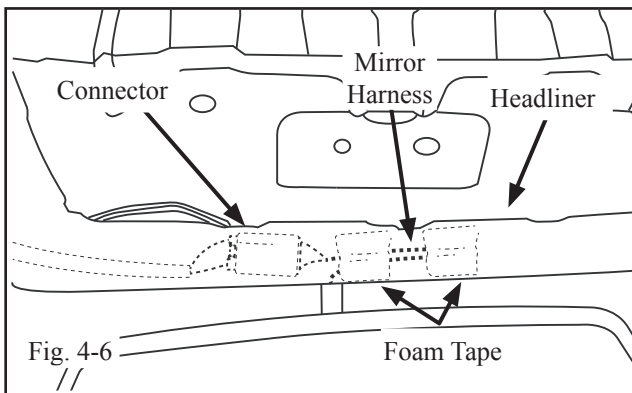
#### 4. Wire harness and mirror installation

- (a) Locate factory pre-wire connector in front overhead console opening. (Fig. 4-1)
  - (1) Remove the pre-wire connector from its mounting location to allow access to the connector.
- (b) Factory pre-wire connector. (Fig. 4-2)
- (c) Route EC mirror harness between vehicle roof and headliner into the overhead cavity. (Fig. 4-3)
- (d) Plug factory pre-wire 5-pin connector into the 5-pin EC mirror harness connector. (Fig. 4-4)

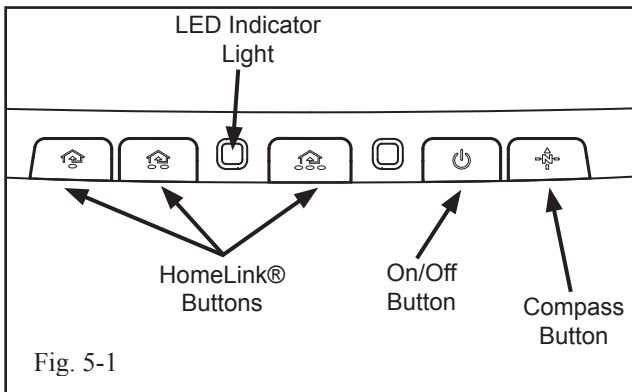


(e) Wrap one (1) piece of foam tape around EC mirror connector and EC harness connector. (Fig. 4-5)

(1) Ensure foam tape is wrapped completely around connectors to prevent rattling in overhead.



(f) Using two (2) pieces of foam tape, secure the remaining EC wire harness and factory pre-wire connector in overhead location as shown. (Fig. 4-6)



## 5. Testing

(a) Temporarily reconnect the negative battery terminal.

(b) Turn the ignition switch to ON.

(c) HomeLink® Feature:

(1) Push in HomeLink® buttons, one at a time. Verify that the LED indicator light is red when each switch is pushed. (Fig. 5-1)

HomeLink® and the HomeLink® house are registered trademarks of Johnson Controls, Inc.

**NOTE:** The owner of the vehicle will need to program HomeLink®. See the HomeLink® programming instructions or visit the HomeLink® website at [www.homelink.com](http://www.homelink.com).

(d) With the vehicle in a fairly well lit area, perform the following test:

(e) Auto-Dimming Feature:

(1) To make sure the auto-dimming feature is on, verify that the LED indicator light is on. If it is not on, push the “On / Off” button for 3 seconds, or until the LED is illuminated.

(2) Cover the forward-looking light sensor located on the back of the mirror with a dark cloth or towel. (Fig. 5-2)

(3) In a few seconds, the mirror will begin to darken (time may vary with ambient light levels).

(4) Remove the cover from the forward-looking light sensor and the mirror will begin to clear.

(f) Turn ignition OFF.

(g) Disconnect the negative battery terminal.

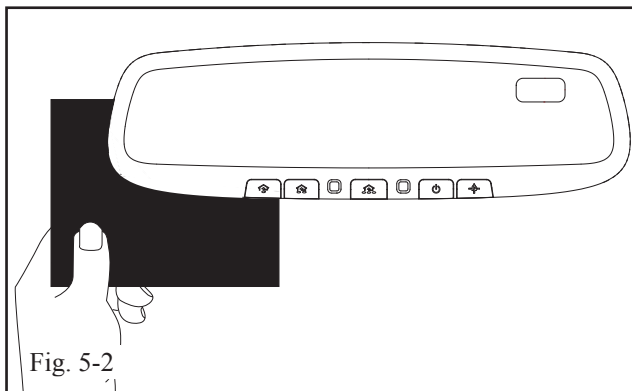


Fig. 5-2

## 6. Final Assembly

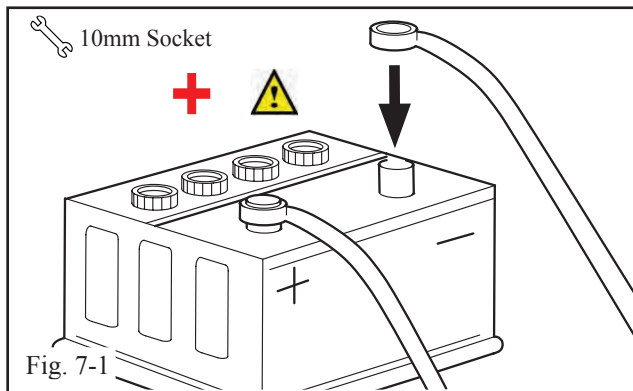
(a) Place the operation instruction card and HomeLink® programming guide in the vehicle glove box.

(b) Remove fingerprints, smudges, dirt, etc. from mirror and windshield with Household Windex.

(1) When cleaning with Household Windex, follow the manufacturer’s directions. Do not allow cleaner to air dry.

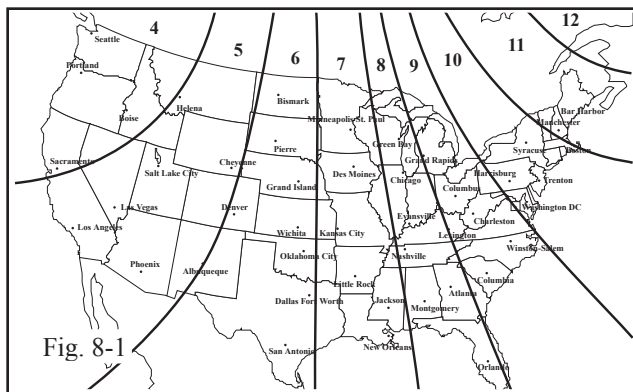
(c) Verify each reinstalled component for proper fit and function.

- (d) Re-install overhead console.
  - (1) Reconnect overhead connector
  - (2) Shift the console forward and backward to check for the best installation position.



### 7. Reconnect Negative Battery Cable

- (a) Reconnect the vehicle's negative battery cable. (Fig. 7-1)
  - (1) Tighten the nut to 4.1 N-m (36 lbf-in)
  - (2) Do not touch the positive terminal with any tool when replacing the cable.



### 8. Compass Zone Setting

- (a) With display turned ON, push the mirror button for 3 seconds or until a number is displayed in the display window.
- (b) Refer to the Zone Map and toggle button until correct zone is displayed. (Fig. 8-1)
- (c) Release button.
- (d) The display will return to normal compass mode (showing either a "C" or a directional heading) within 10 seconds of no switch activity.

**9. Calibrate Compass**

- (a) If a “C” is displayed in window, drive the vehicle in one circle at less than 5 mph.
- (b) Correct compass heading should now be displayed.

**NOTE:** Correct compass zone must be selected prior to compass calibration to ensure accurate calibration. If the vehicle is driven in a new zone, repeat zone selection procedure.



**TOYOTA CAMRY**

**EC REARVIEW MIRROR W/ HOMELINK**

Checklist - These points **MUST** be checked to ensure a quality installation.

Check:

Look For:

Accessory Function Checks

**Vehicle should be in a fairly well lit area.**

**HomeLink® feature:**

- Turn ignition (ACC Power) to ON.
- Push in HomeLink® buttons.
- HomeLink® programming guide.

**Auto-dimming feature:**

- Cover the forward-looking light sensor (located near the wire harness connection on the back of the mirror).

**Mirror clears:**

- Remove the cover from photocell.

**Compass Feature:**

- Push the Compass Button.
- Operation Instruction Card.

Verify green LED is on. If it is not ON press On button - confirm LED is ON.

Verify LED indicators turn red.

Placed in the vehicle glove box.

Verify mirror darkens.

Mirror returns to clear state.

“C” is displayed.

Placed in the vehicle glove box.

Vehicle Function Checks

- Check dome light.
- Check Sunroof. (If Applicable)
- Check Overhead Console Fitment.
- Check negative battery cable.

Verify dome light functions properly.

Verify sunroof functions properly.

Verify the final fitment of the overhead console.

Nut should be tightened to 4.1N-m (36 lbf-inch).