

# Toyota Tacoma 2017 Frameless® EC Mirror w/ Compass and HomeLink®

Part Number: 00016-05464

Accessory Code: ME4010



## Conflicts

Note: NONE

Item #	Quantity Reqd.	Description
1	1	Frameless® Mirror w/Compass
2	1	Wire Harness Cover
3	1	Main Power Wire Harness

## Hardware Kit Contents

Item #	Quantity Reqd.	Description
1	3	Red T-Taps
2	10	Wire Ties
3	6	Foam Tape
5	1	Quick Reference Guides

## Additional Items Required For Installation

Item #	Quantity Reqd.	Description
--------	----------------	-------------

## Recommended Tools

<b>Safety Tools</b>	
Safety Glasses	
<b>Special Tools</b>	
<b>Installation Tools</b>	
Screw Gun/	10MM Socket
Ratchet/Driver	T20 Torx Bit/Driver
Needle Nose Pliers	# 2 Philips Bit
Nylon Tool	VPC Approved Cleaner
	Torque Wrench
Dark Towel/Cloth	(Car Battery)
	Torque Wrench-15.5 inch lbs

## Service/Replacement Parts

Part Description	Part Number
Frameless® Mirror w/Compass & HomeLink®	00016-05464-01
Main Power Harness	00016-05464-02

## General Applicability

All MY17 Models

## Recommended Sequence of Application

Item #	Accessory	
1		
2		
3		

\*Mandatory

## Legend

	<b>STOP:</b> Damage to the vehicle may occur. Do not proceed until process has been complied with.
	<b>OPERATOR SAFETY:</b> Use caution to avoid risk of injury.
	<b>CAUTION:</b> A process that must be carefully observed in order to reduce the risk of damage to the accessory/vehicle and to ensure a quality installation.
	<b>TOOLS &amp; EQUIPMENT:</b> Used in Figures calls out the specific tools and equipment recommended for this process.
	<b>REVISION MARK:</b> This mark highlights a change in installation with respect to previous issue.
	<b>SAFETY TORQUE:</b> This mark indicates that torque is related to safety.

## SPECIAL NOTE: Installation Sequences

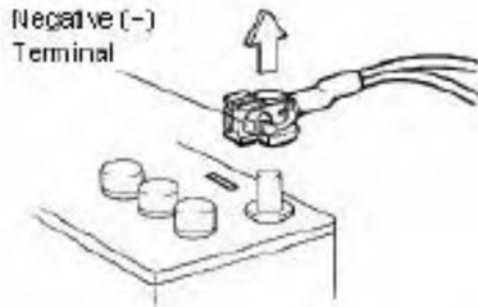
After TMS and Safety mandated preparatory steps have been taken, the installation sequence is the suggested method for completing the accessory installation. In some instances the suggested sequence is written for one associate to install and in others the sequence is given as part of a team accessory installation. Unless otherwise stated in the document, the associates may perform the installation steps in any order to make the installation as efficient as possible while maintaining consistent quality.

Care must be taken when installing this accessory to ensure damage does not occur to the vehicle. The installation of this accessory should follow approved guidelines to ensure a quality installation.

These guidelines can be found in the "Accessory Installation Practices" document.

This document covers such items as:

- Vehicle Protection (use of covers and blankets, cleaning chemicals, etc.).
- Safety (eye protection, rechecking torque procedure, etc.).
- Vehicle Disassembly/Reassembly (panel removal, part storage, etc.).
- Electrical Component Disassembly/Reassembly (battery disconnection, connector removal, etc.).

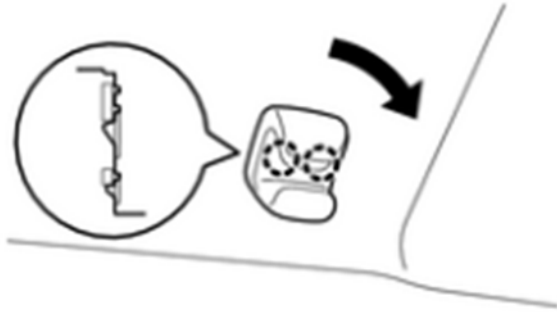


1. Disconnect the negative battery cable. Isolate the cable with protection in place. See Figure 1.



**Wait at least 90 seconds after disconnecting the cable from the negative (-) battery terminal to disable the SRS system.**

Figure 1



*Figure 2*

2. Turn the visor holder 45° clockwise to disengage the 2 claws as shown in the illustration. Remove the visor holder. See Figure 2.



*Figure 3*

3. Using a nylon tool, disengage the 4 clips. Disconnect the connector. Remove map light assembly. See figure 3.

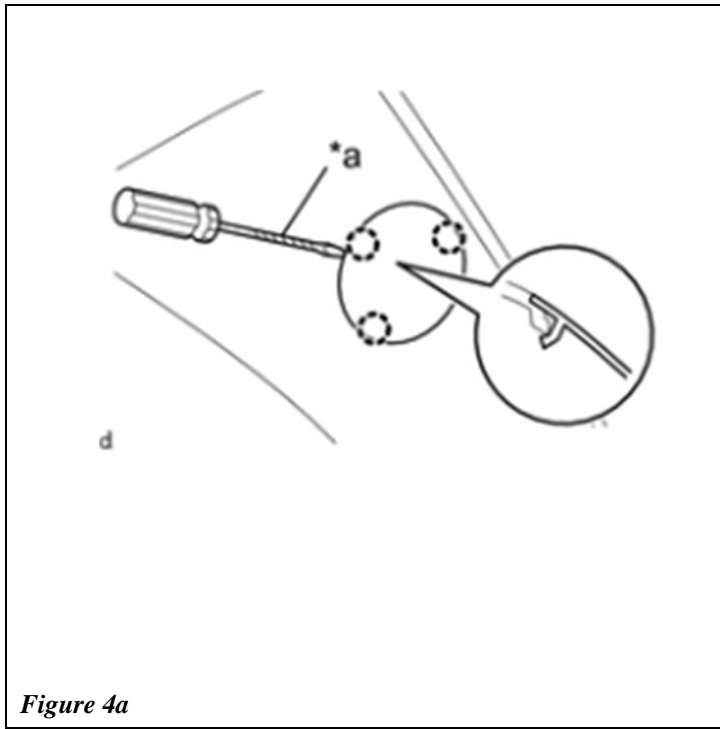


Figure 4a

- Using a screwdriver with its tip wrapped in protective tape, disengage the 3 claws to open the cover. Remove the bolt. See figure 4a and 4b.

**Text in Illustration**

*a	Protective Tape
----	-----------------



Figure 4b

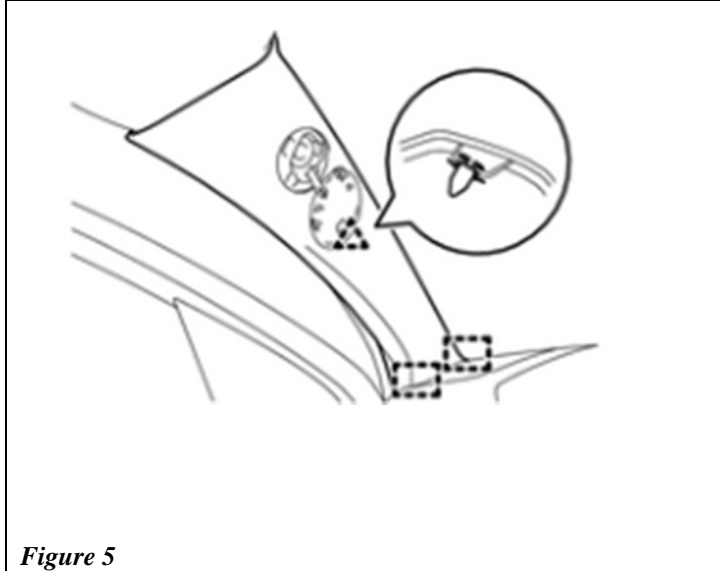
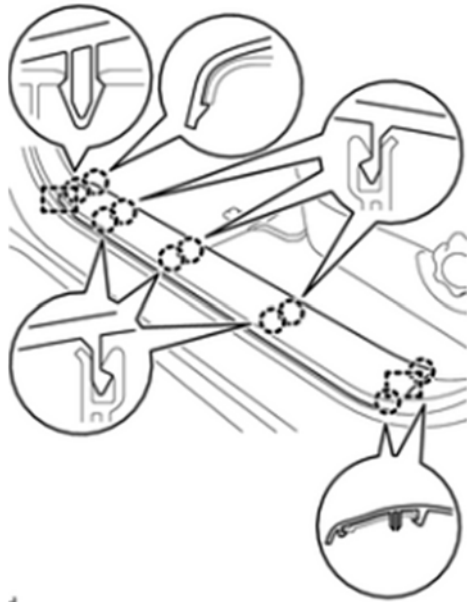


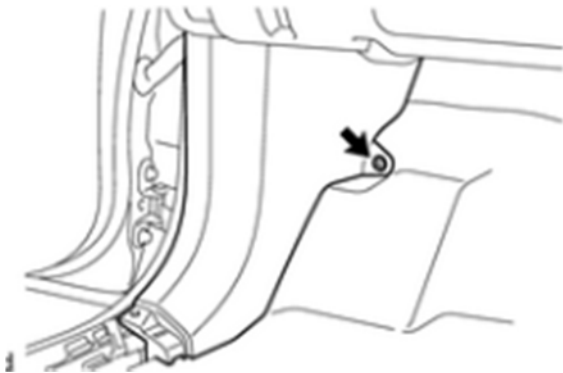
Figure 5

- Disengage the clip and 2 guides to remove the front pillar garnish LH. See Figure 5.



- 6. Disengage the 10 claws and 2 guides to remove the front door scuff plate LH. See figure 6.

Figure 6



- 7. Remove the clip. Disengage the 2 clips and guide to remove the cowl side trim board LH. See figure 7a and 7b.

Figure 7a

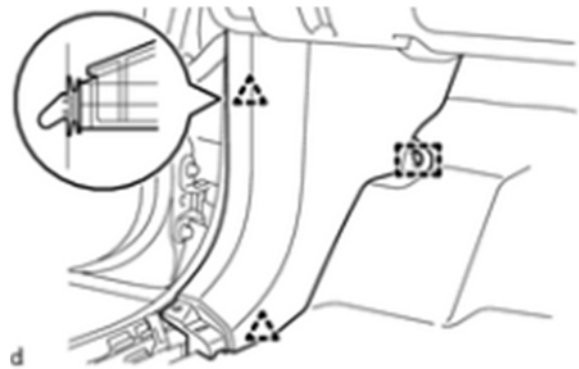


Figure 7b

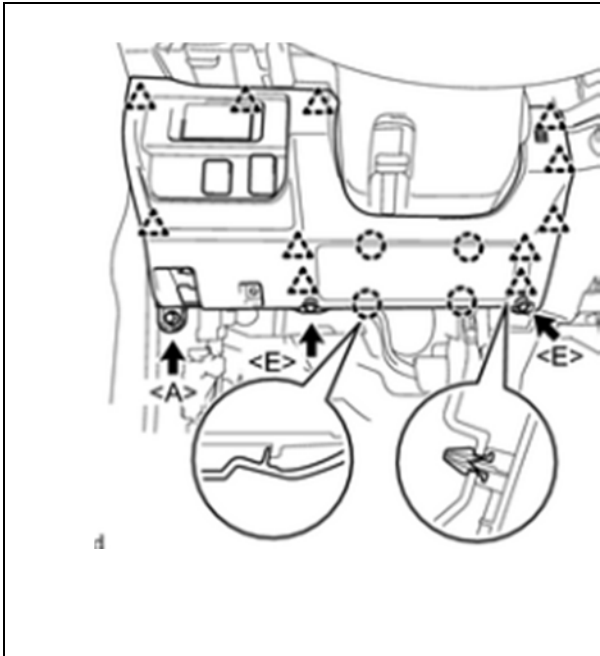


Figure 8a

8. Remove the bolt <A>. Remove the 2 screws <E>. Disengage the 11 clips and 4 claws. Disconnect the connectors to remove the instrument panel lower finish panel sub-assembly. Disengage the claw and 3 guides to disconnect the hood lock control lever sub-assembly. See figure 8a and 8b.



Figure 8b

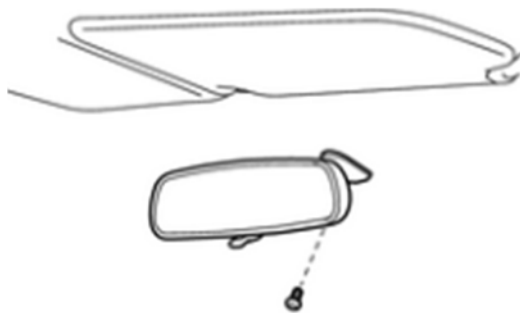


Figure 9a

9. Using a T20 "TORX" socket wrench, remove the screw and inner rear view mirror assembly. See figure 9a and 9b.

**Replacing the factory EC mirror with the Frameless® EC Mirror w/ Compass & HomeLink®**

Remove the inner rear view mirror cover. Disconnect the connector. Using a T20 "TORX" socket wrench, remove the screw and inner rear view mirror assembly. See figure 9a and 9b.



Figure 9b

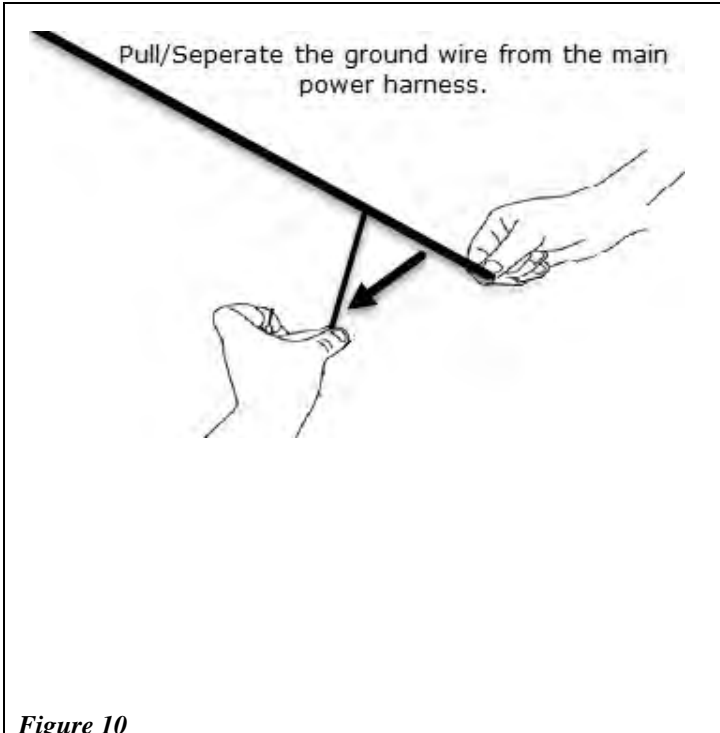


Figure 10

- 10. Pull/Seperate the ground wire (Black/ Orange) from the mirror main power harness approximately 6 inches. See figure 10.



**Note: Remove fingerprints, smudges, dirt, etc. from mirror and windshield with glass cleaner.**

Figure 11a

- 11. Mount the Frameless® EC Mirror w/Compass in reverse of original factory mirror removal. Slide and attach the rearview mirror assembly and tighten mirror set screw with a T20 torx bit or driver. **DO NOT** over tighten screw. See figure 11a and 11b.

**Torque: 15.5 in.\*lbf**



**Do not use power tools to tighten screw. Hands tighten only.**

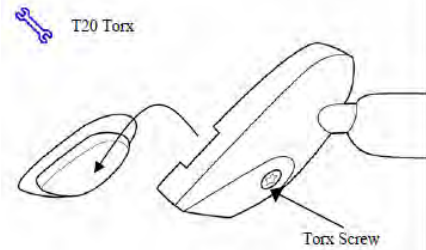


Figure 11b

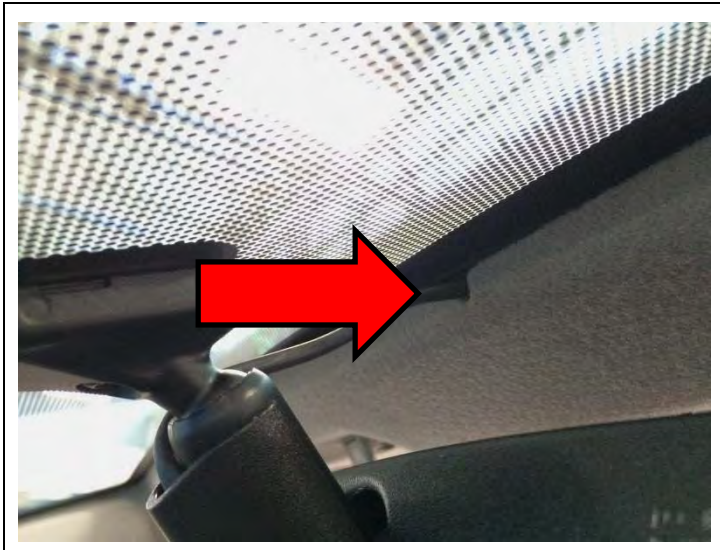


Figure 12

12. Route the mirror harness to overhead console opening using the precut notches on the front of the headliner. See figure 12.

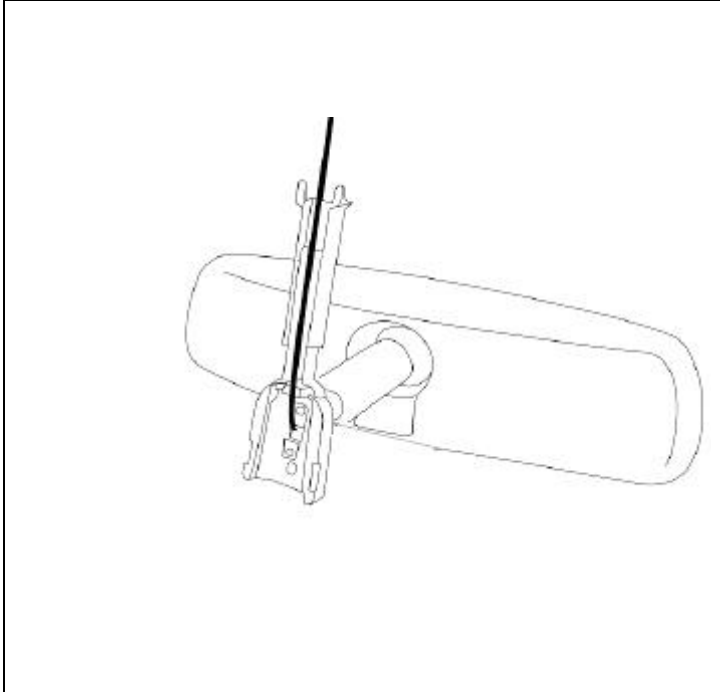


Figure 13a

13. Install the wire harness cover over the wire harness. Seat the bottom of the cover securely to base of the mirror. Extend the top of the cover fully into headliner. See figure 13a and 13b.



Figure 13b



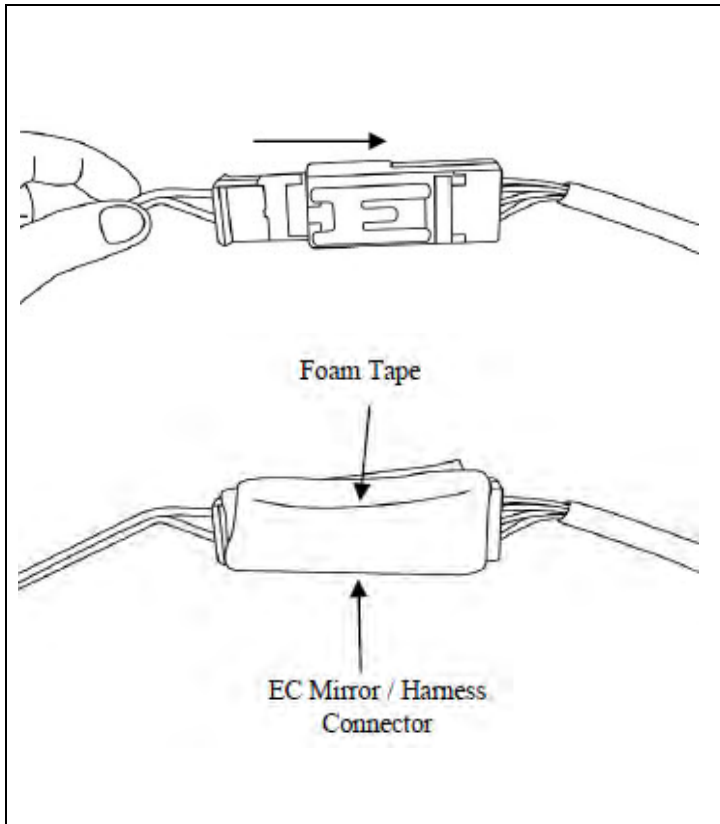


Figure 14

14. Connect the mirror harness to the mirror main power harness. Make sure both connectors are fully engaged. Wrap foam tape around connectors. See figure 14.

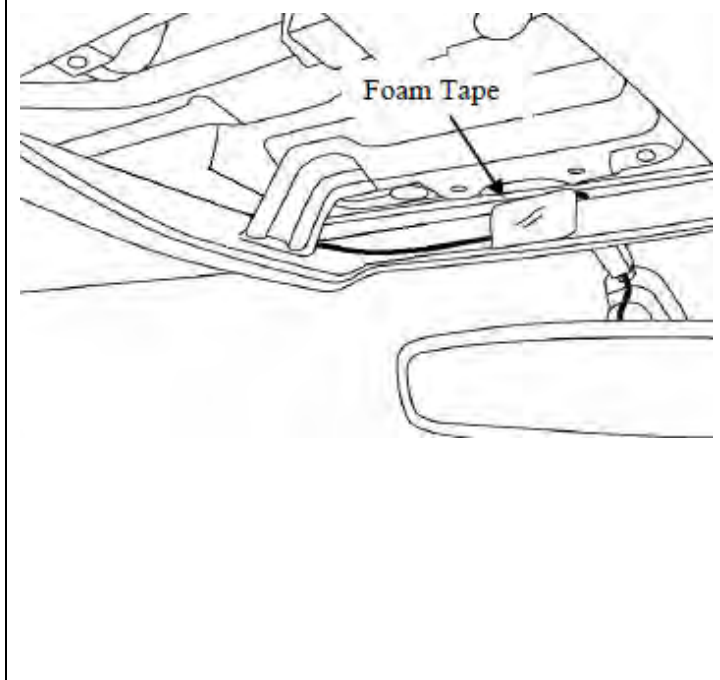
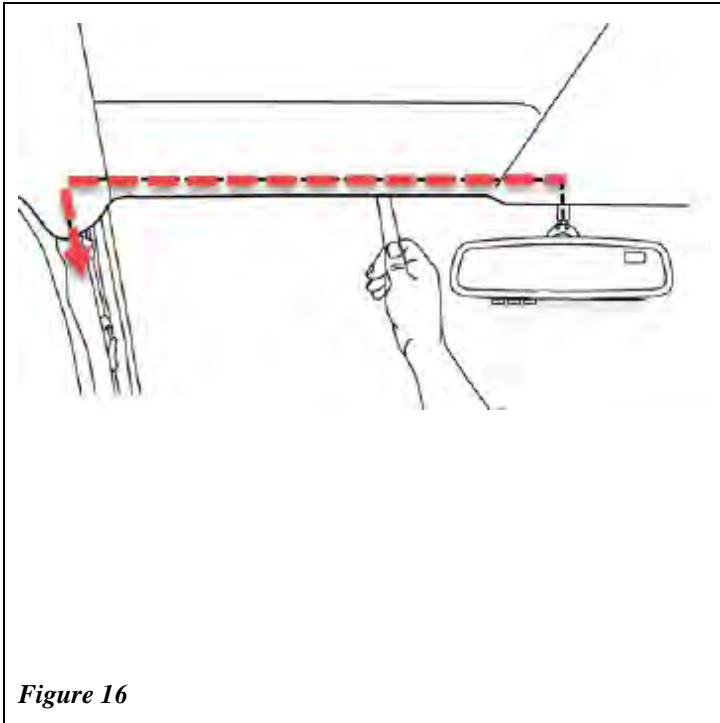


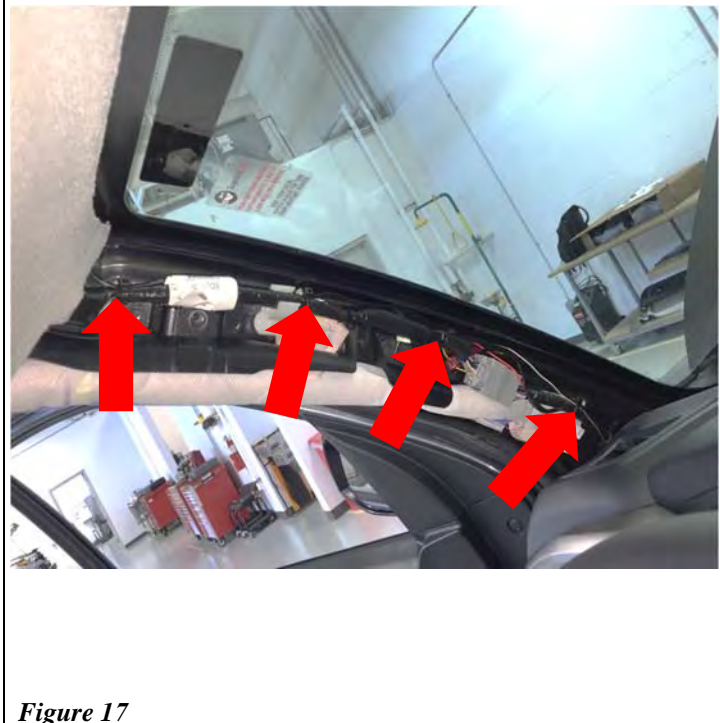
Figure 15

15. Secure the harness to the front center of the headliner with one (1) piece of foam tape. See figure 15.



16. Route mirror main power harness along front edge of headliner towards the LH vehicle A-Pillar. See figure 16.

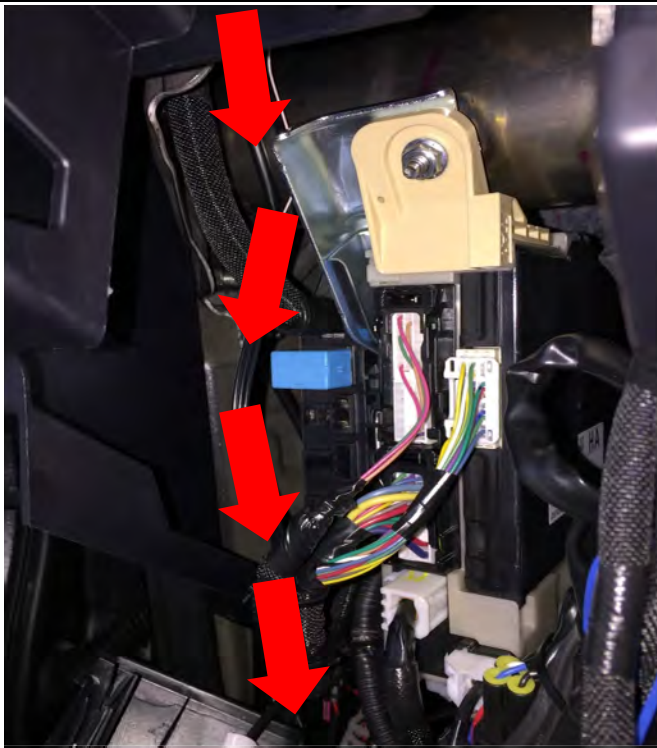
Figure 16



17. Route the mirror harness down to the bottom of the Front LH pillar. Route the harness through the factory harness clips attached to the vehicle. Wire tie the harness to the vehicle harness as shown. See figure 17.

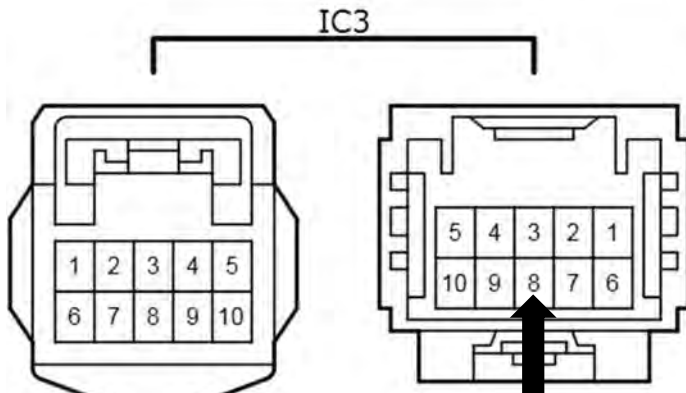
**STOP** Sunroof Models: DO NOT wire tie harness to factory drain tube.

Figure 17



18. Route the mirror harness down to the LH kick panel. Follow the factory harness. See figure 18.

*Figure 18*



Tap the mirror main power harness ignition power wire (black/white) to Pin 8 grey wire in white connector IC3.

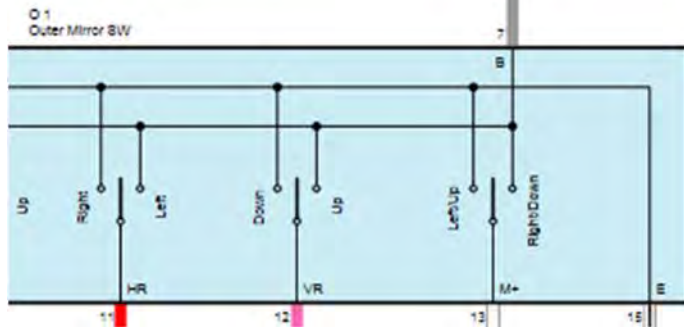
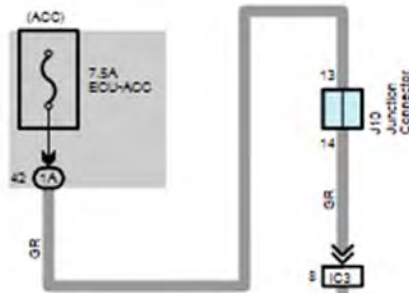


Figure 19a

19. Locate vehicle white connector IC3 in the LH kick panel. Disconnect connector. T-Tap the mirror main power harness ignition power wire (black/white) to Pin 8 grey wire in white connector IC3. See figure 19a and figure 19b.

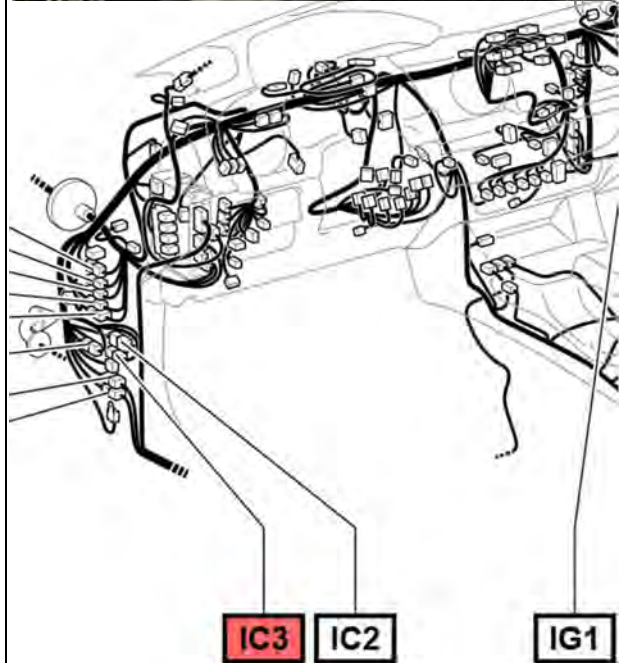


Figure 19b

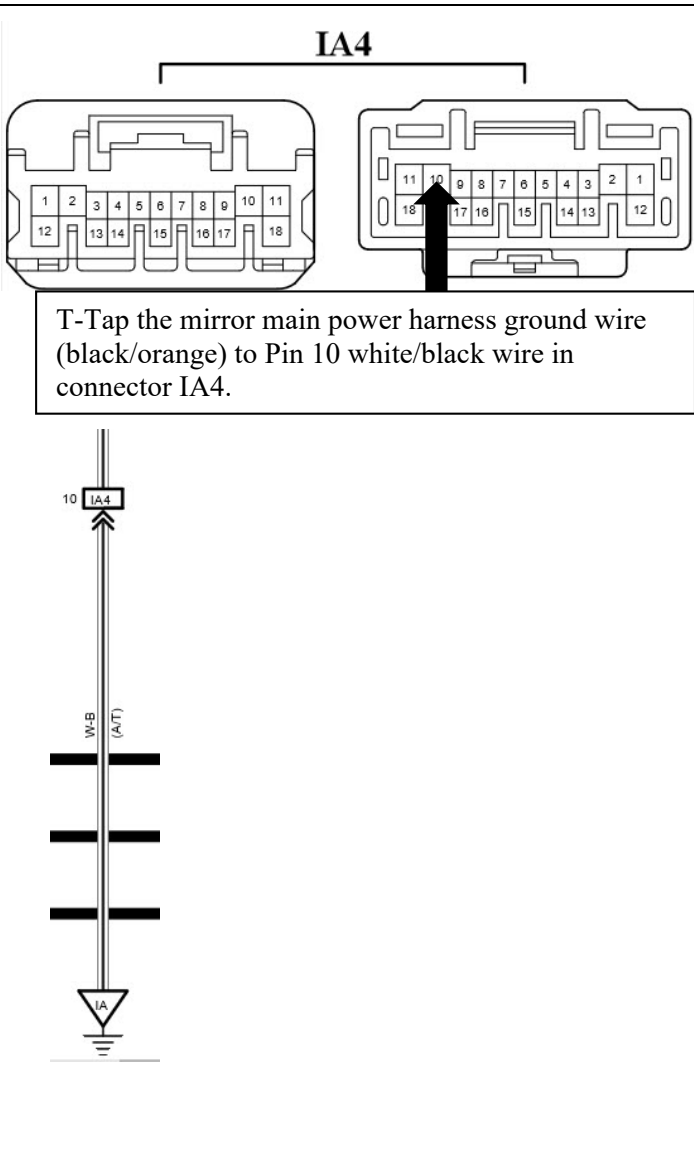


Figure 20a

20. T-Tap the mirror main power harness ground wire (black/orange) to Pin 10 white/black wire in connector IA4. See figure 20a and 20b.

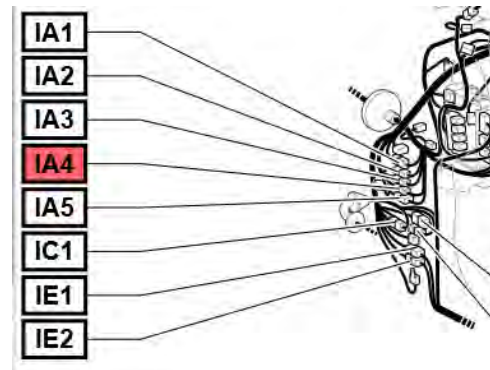
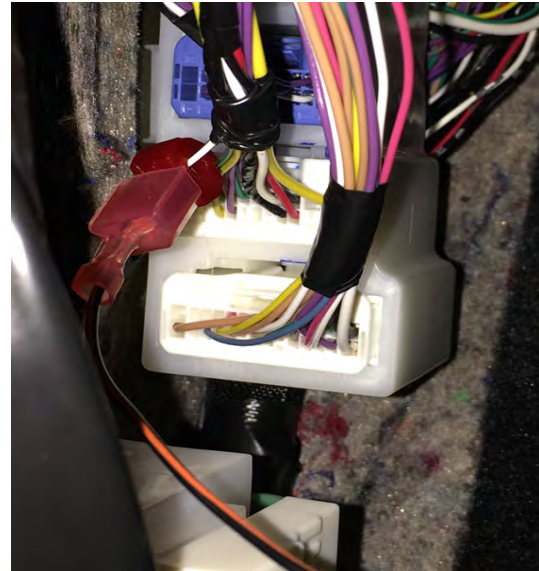
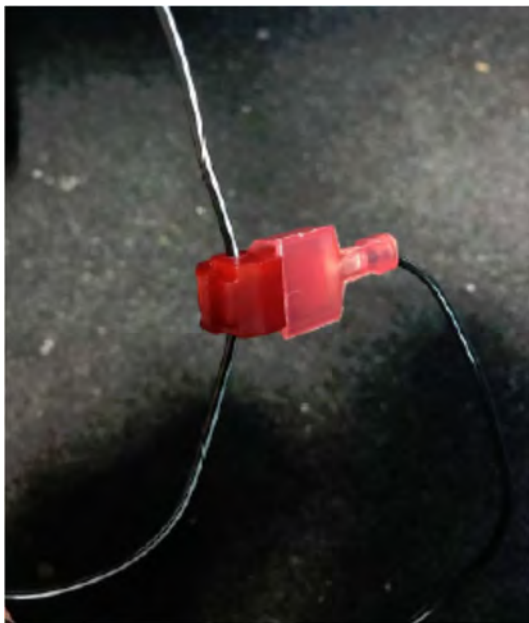


Figure 20b

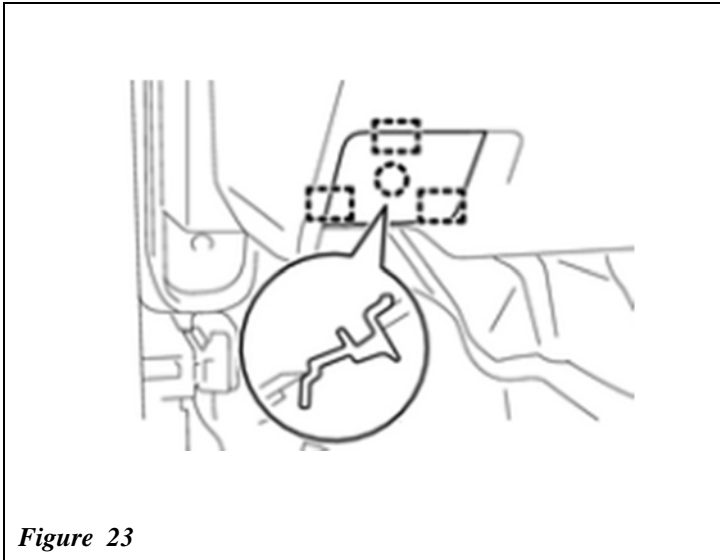




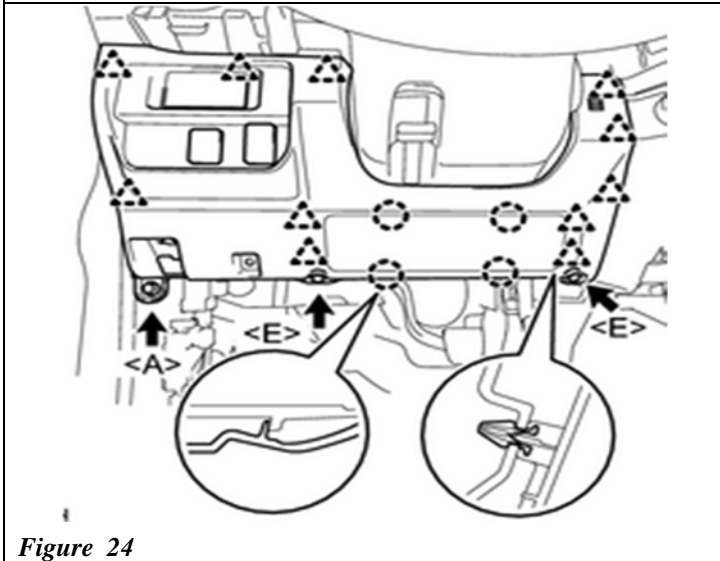
*Figure 21*

21. T-Tap the mirror main power harness power wire (black) to the mirror main power harness ignition wire (black/white). See figure 21.

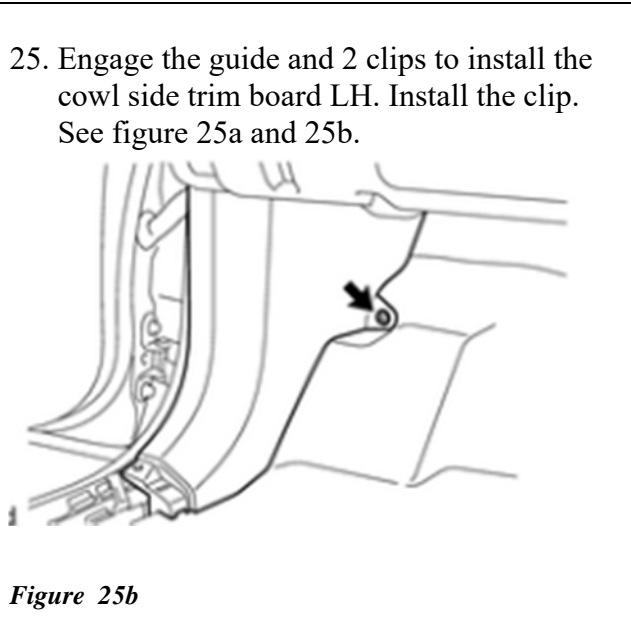
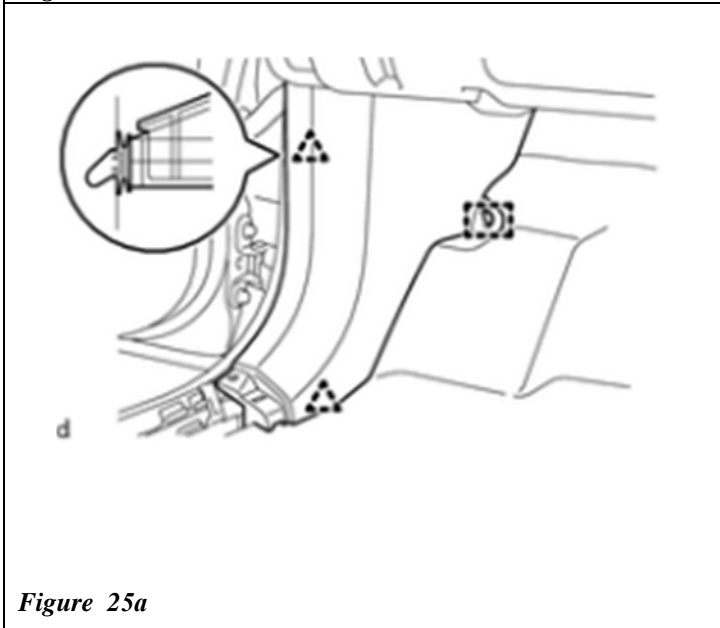
22. Using wire ties, surcure the mirror main power harness wires to the vehicle harness.



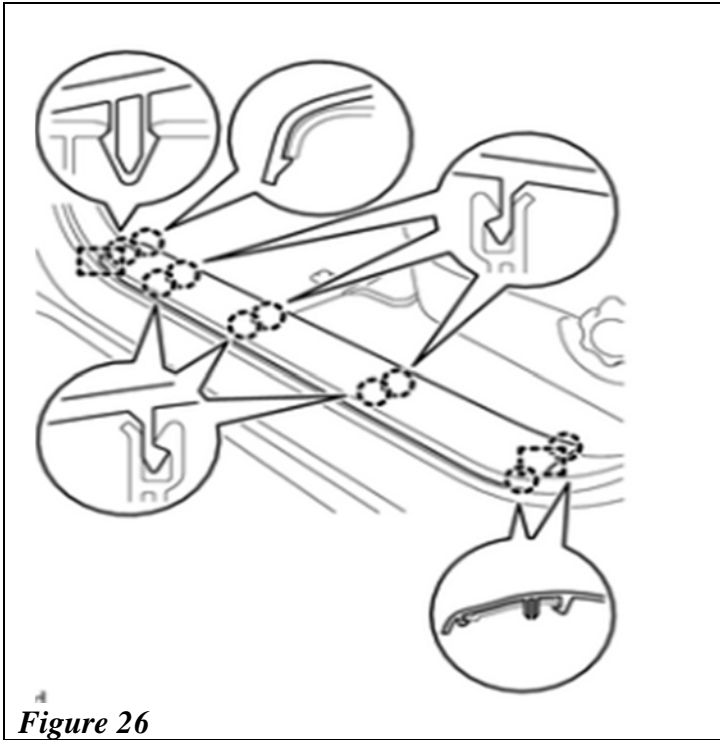
23. Install the hood lock control lever sub-assembly. See figure 23.



24. Connect the connectors. Engage the 4 claws and 11 clips to install the instrument panel lower finish panel sub-assembly. Install the 2 screws <E>. Install the bolt <A>. See figure 24.

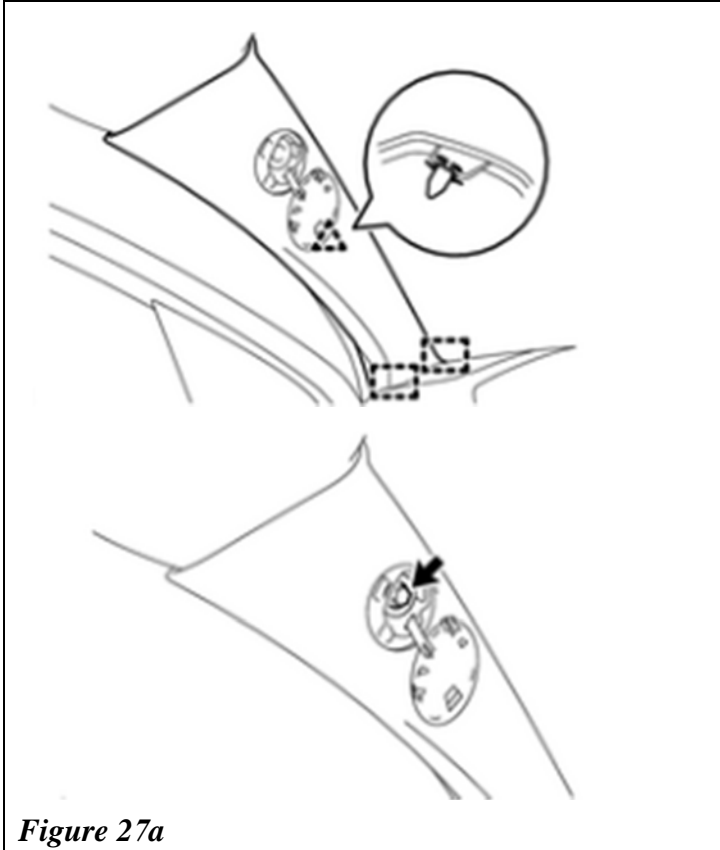


25. Engage the guide and 2 clips to install the cowl side trim board LH. Install the clip. See figure 25a and 25b.



26. Engage the 10 claws and 2 guides to install the front door scuff plate LH. See figure 26.

Figure 26

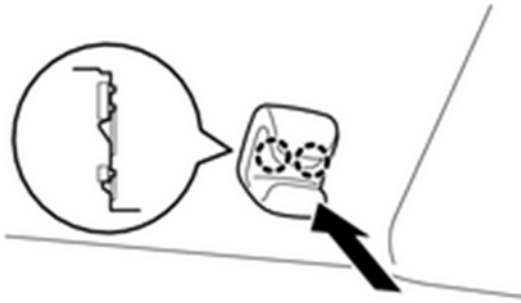


27. Engage the 2 guides and clip to install the front pillar garnish LH. Install the bolt. Engage the 3 claws to close the cover. See figure 27a and 27b.

Figure 27a

Figure 27b





28. Engage the 2 claws to install the visor holder LH. See figure 28.

*Figure 28*



29. Connect the connector. Engage the 4 clips and install the map light assembly. See figure 29.

*Figure 29*

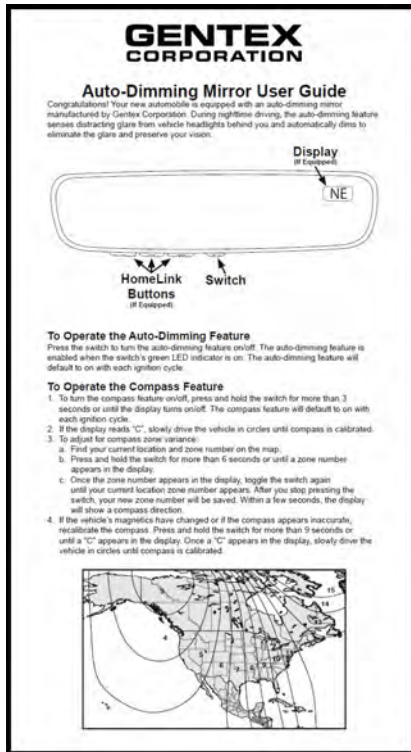


Figure 30

30. Place owner's cards in the glove box. See figure 30.

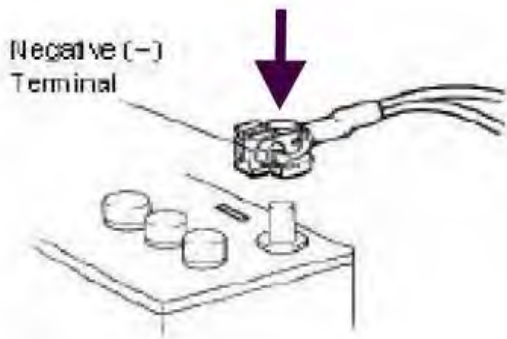


Figure 31

31. Connect the negative battery cable.



Torque: 48in.\*lbf

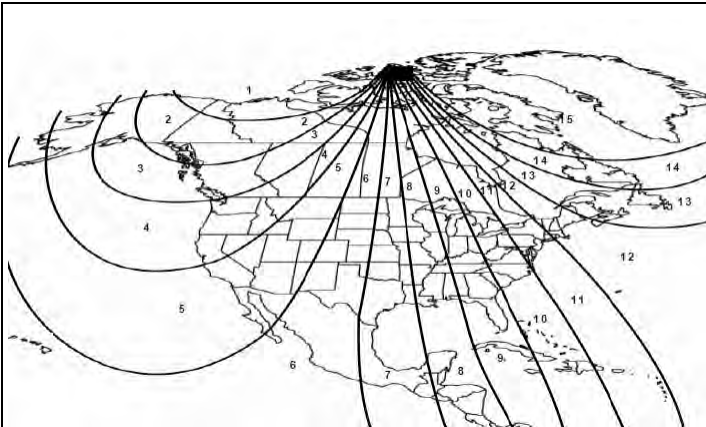


Figure 33

32. Compass Zone Setting.

- (a) With display turned ON, push the mirror power button for 3 seconds or until a number is displayed in the display window.
- (b) Refer to the Zone Map and toggle button until correct zone is displayed. See figure 32.
- (c) Release button.
- (d) The display will return to normal compass mode (showing either a "C" or a directional heading) within 10 seconds of no switch activity.

33. Calibrate Compass.

- (a) If a "C" is displayed in window, drive the vehicle in one circle at less than 5 mph.
- (b) Correct compass heading should now be displayed.

**NOTE:** Correct compass zone must be selected prior to compass calibration to ensure accurate calibration. If the vehicle is driven in a new zone, repeat zone selection procedure.

Checklist - these points **MUST** be checked to Ensure a quality installation.

**Check: After Installation**

- Vehicle should be in a fairly well lit area. Turn ignition (ACC power) to ON.

**Auto-dimming feature:**

- Cover the forward-looking light sensor (located on the back of the mirror).

**Mirror clears:**

- Remove cover from photocell.

**Compass Feature:**

- Look at the mirror compass display.
- Operation Instruction Cards

**HomeLink Feature:**

- Look at the mirror's (3) HomeLink buttons.
- Press the mirror's (3) HomeLink buttons.

**Overhead Console:**

- Check dome light.
- Check the Sunroof & Power Back Window, if applicable.

**Look For:**

Verify green LED is on. If it is not ON press ON / OFF button - confirm LED is ON.

Verify mirror darkens.

Mirror returns to clear state.

Correct compass heading should now be displayed. If a "C" is displayed in window, calibrate the compass.

Place in the vehicle glove box.

Verify all (3) buttons are illuminated when the vehicle ignition is ON.

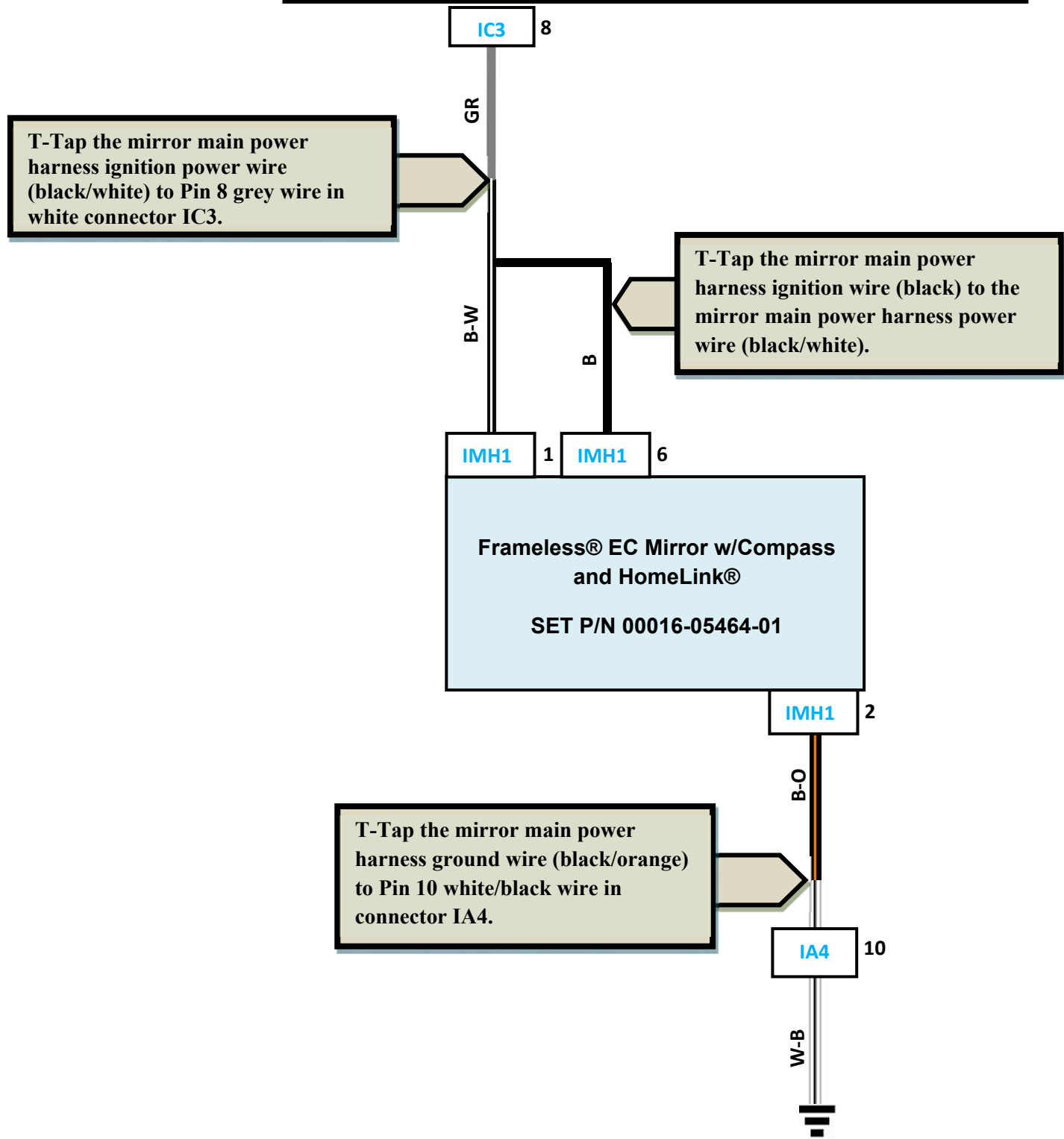
HomeLink icon will appear in mirror. Press button again to stop the icon from flashing.

Verify the dome light functions properly.

Verify the sunroof & Power Back Window, functions properly.

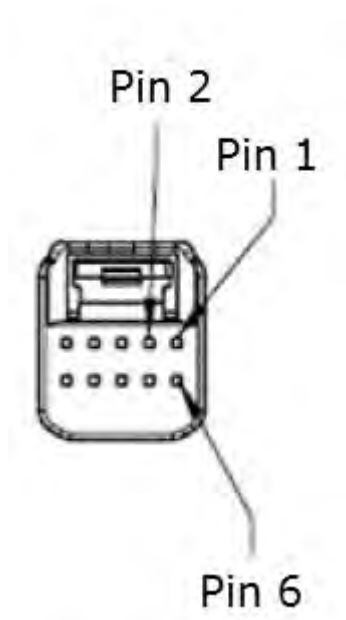
**Block Diagram**  
**Frameless® EC Mirror w/Compass & HomeLink®**

**Applies to SET P/N 00016-05464**      **2017 Tacoma**



## Checking the Harness Pin outs:

### Connector IMH1: Frameless® EC Mirror w/Compass Power Harness Connector



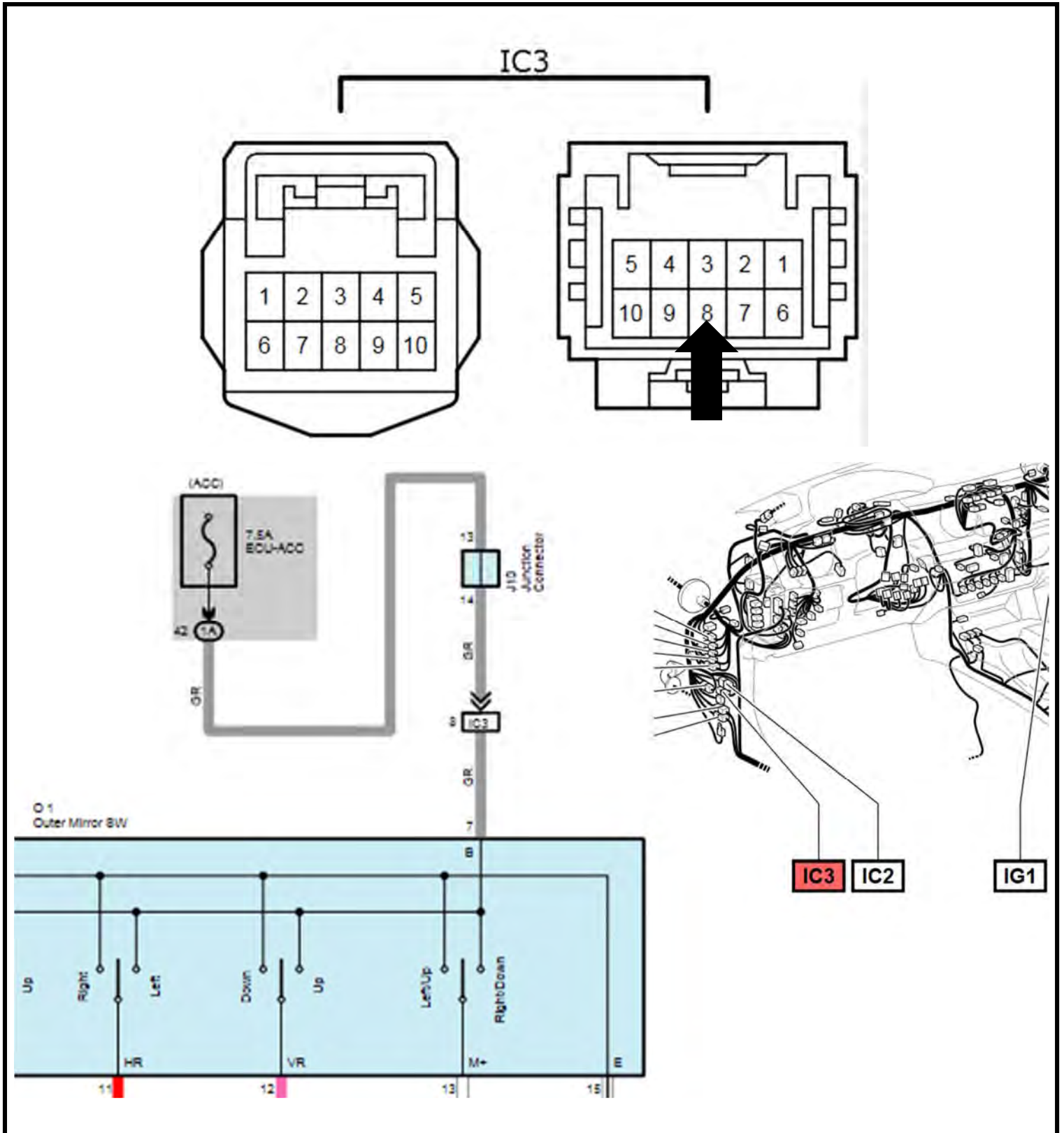
**Connector view is from the front (pin side)**

**If feedback from the harness on any of the pins does not match the results shown in the Proper Operation field below, check the connection to the vehicle wiring and re-test.**

Pin	Wire Color	Test Reference	Proper Operation
1	Black w/White Trace	Pin 1 to ground	Approx. 12 VDC with switch in ON position Approx. 0 VDC with switch in OFF position
2	Black w/Orange Trace	Pin 2 to ground	Always Continuity
6	Black	Pin 3 to ground	Approx. 12 VDC with switch in ON position Approx. 0 VDC with switch in OFF position

Pin	Wire Color	Circuit
1	Black w/White Trace	Ignition
2	Black w/Orange Trace	Ground
6	Black	Battery

### Vehicle Connector IC3 Circuit



### Vehicle Ground Circuit IA4

